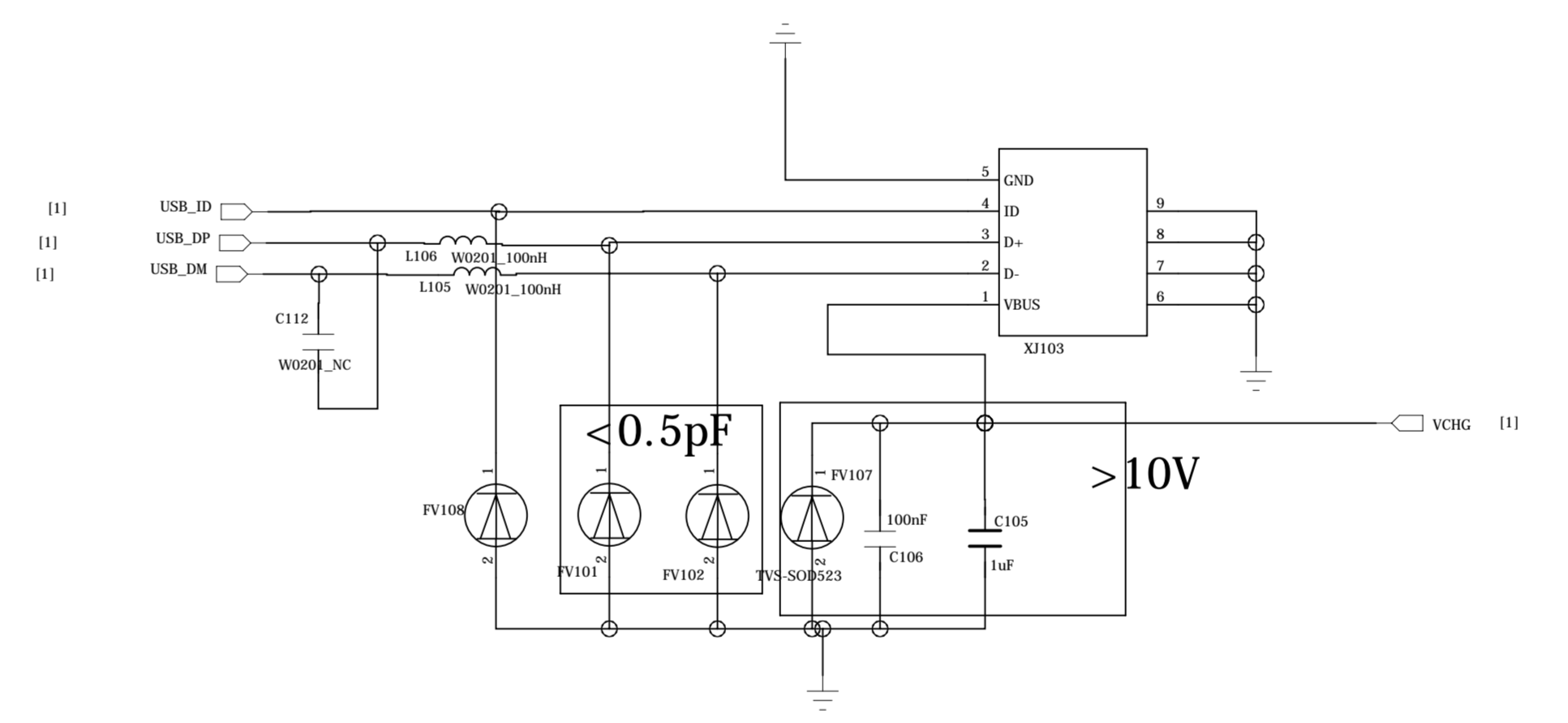
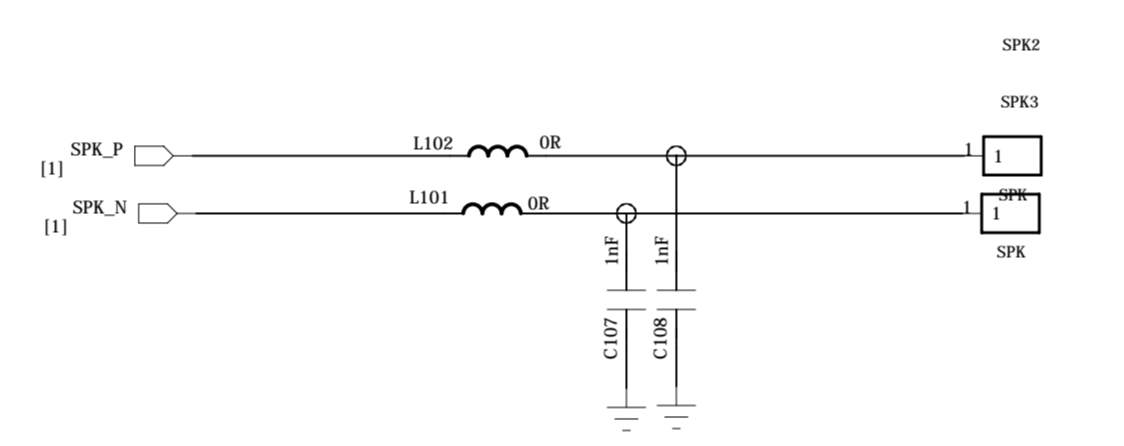
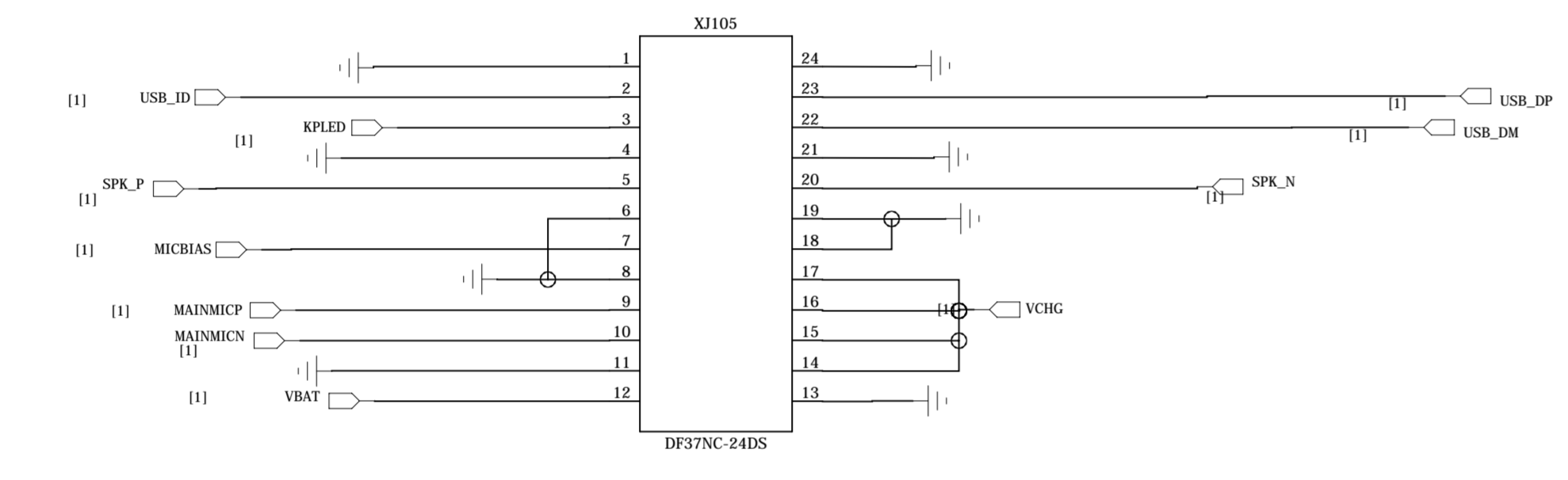
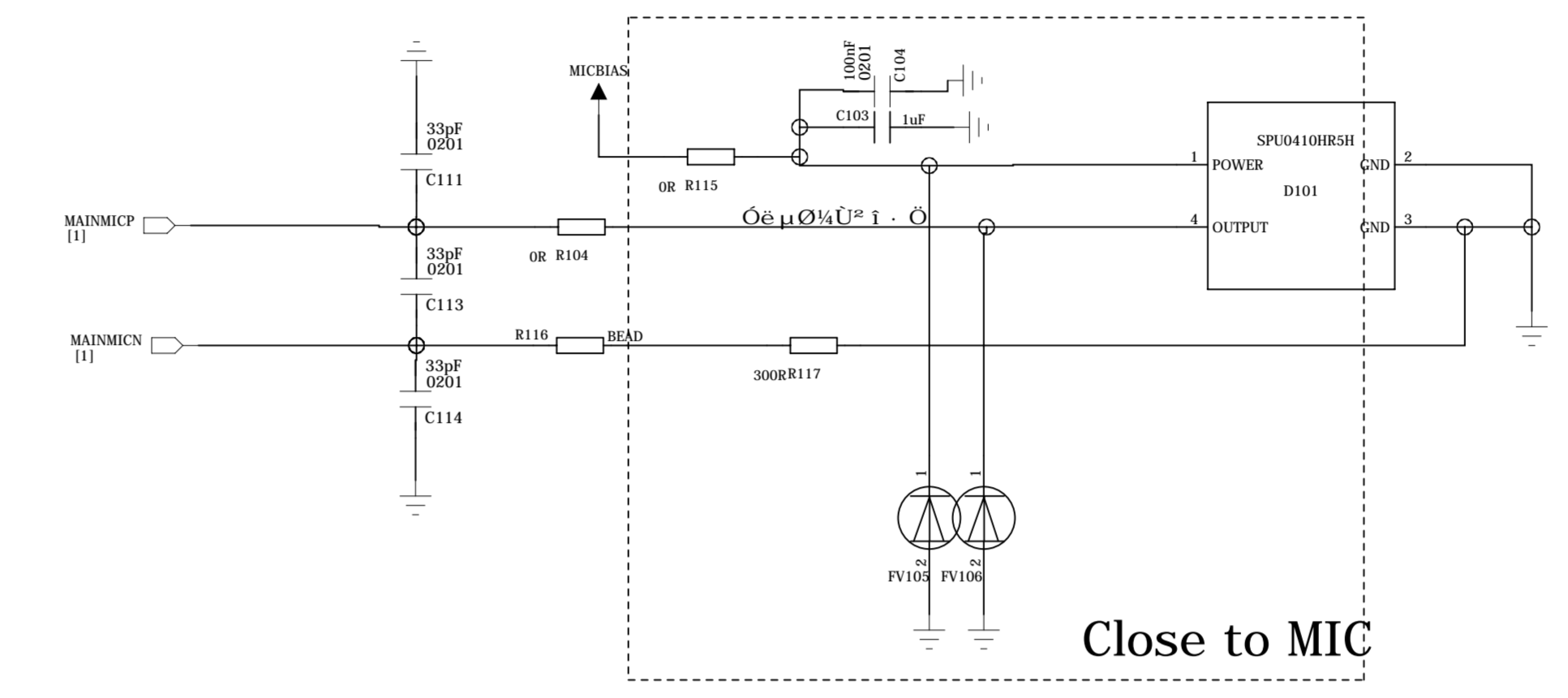
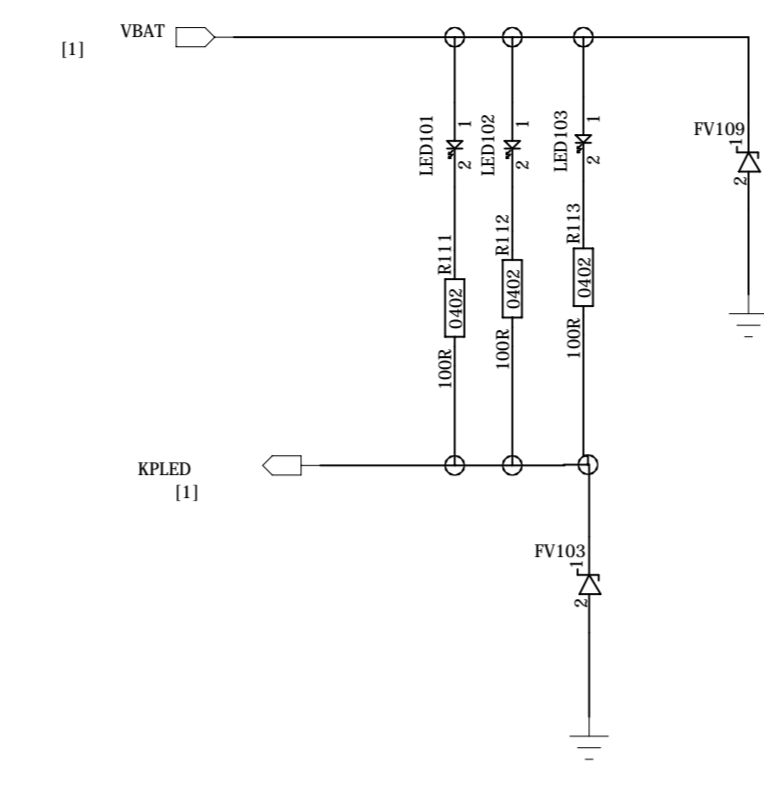
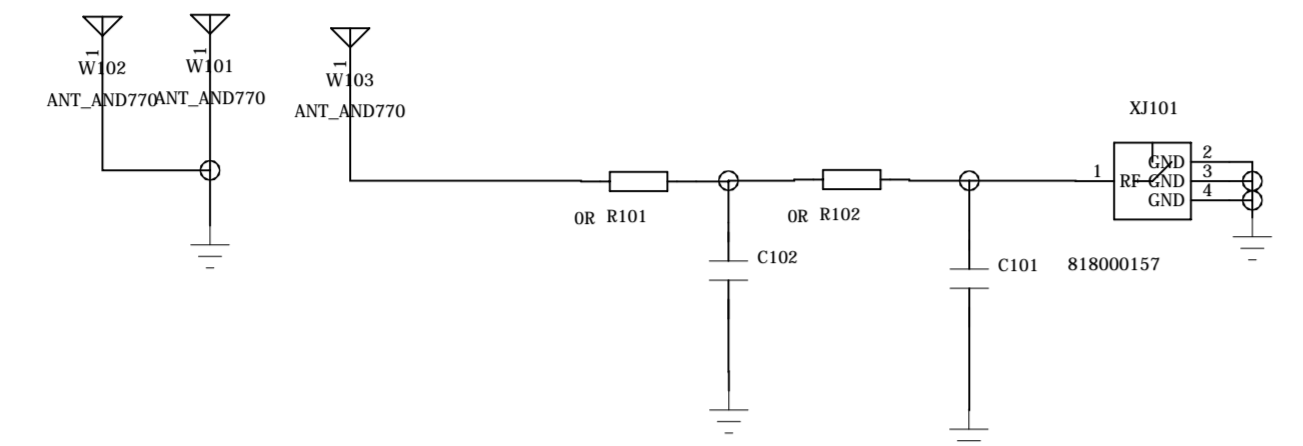
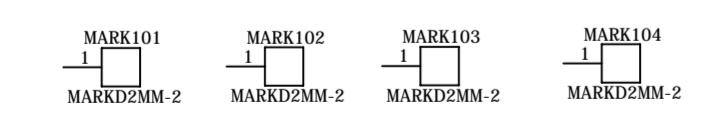


REVISION RECORD			
ITEM	ECO NO.	APPROVED	DATE



MARK POINT



TITLE & REV:		
DOCUMENT NO.:		
DESIGNER:	DATE:	DEPARTMENT:
EQ:	DATE:	COMPANY:
APPROVED:	DATE:	CONFIDENTIAL AND PROPRIETARY
		SHEET: 5 OF 21