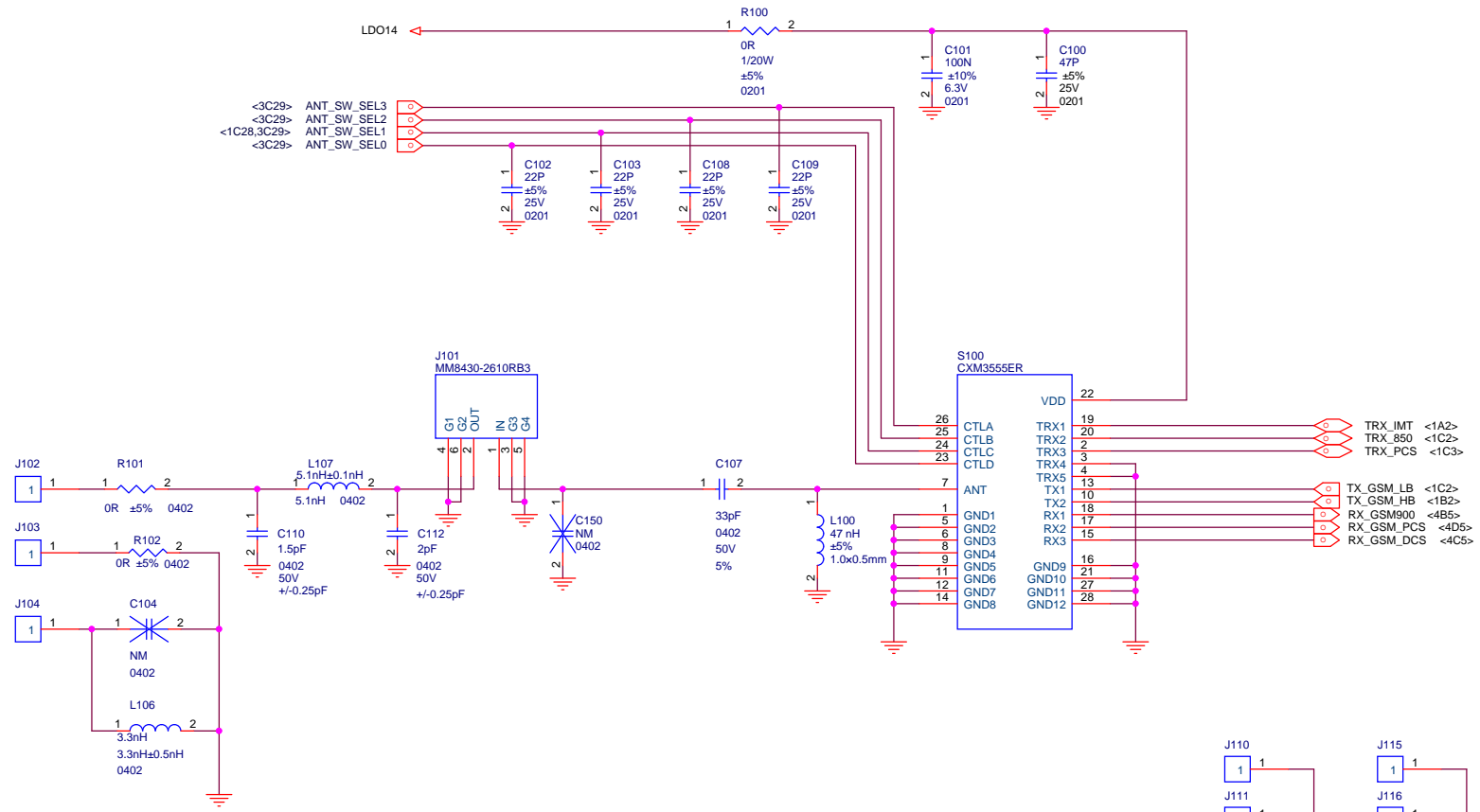


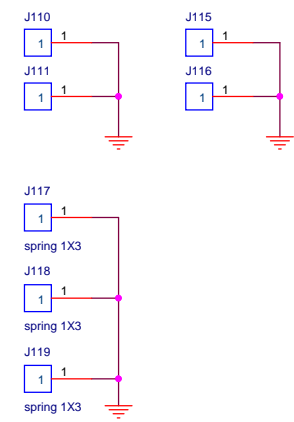
VIETMOBILE.VN

3501M2P4000 TOP LAYER



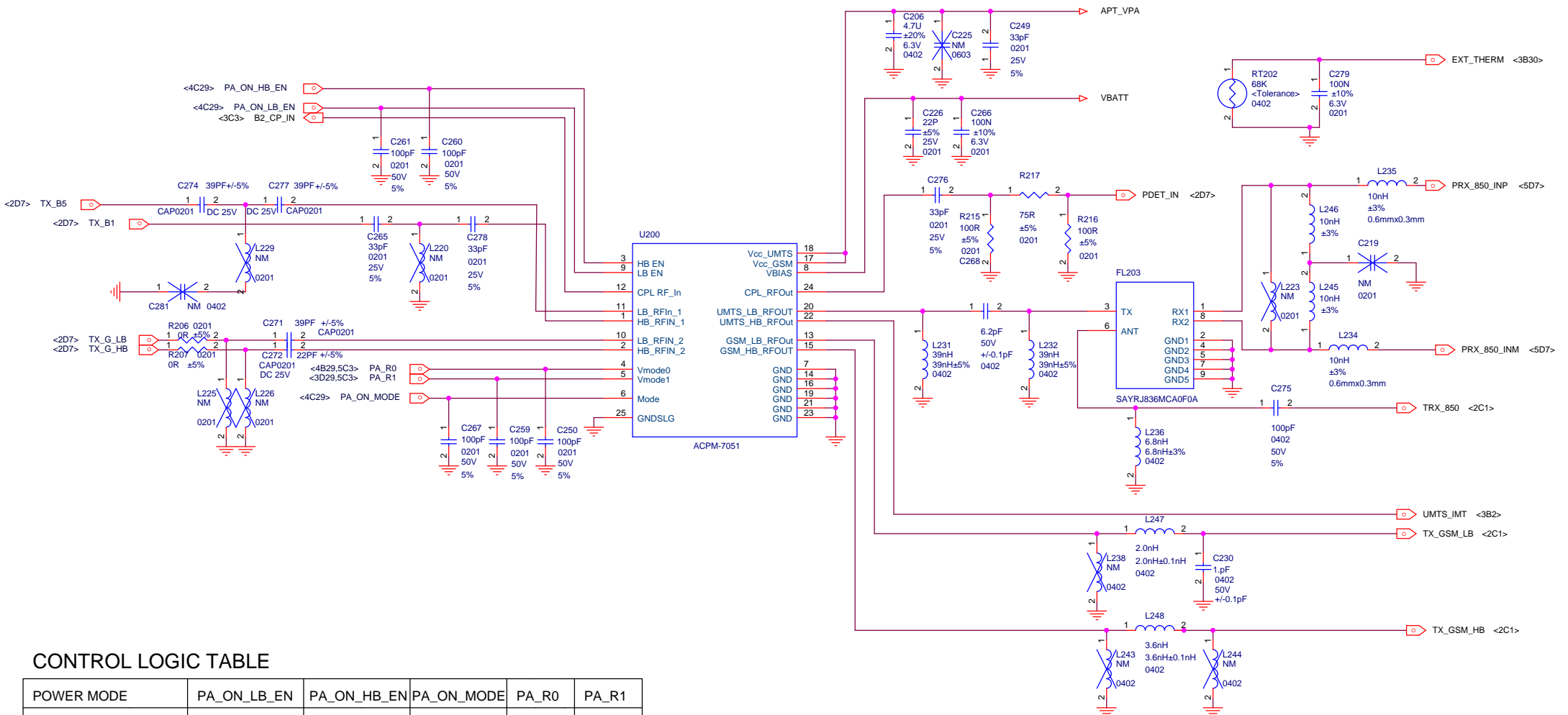
PRIMARY SWITCH(SP10T) LOGIC

MODE	SW_SEL3	SW_SEL2	SW_SEL1	SW_SEL0
TX GSM850/GSM900	H	H	L	L
TX GSM1800/GSM1900	H	L	L	L
RX GSM 900	L	L	H	L
RX_GSM_PCS	L	H	H	L
RX GSM DCS	L	H	L	L
TRX (NOT USED)	H	L	L	H
NO USED	H	H	H	H
TRX PCS	H	L	H	H
TRX IMT	H	H	H	L
TRX W850/RX G850	H	L	H	L



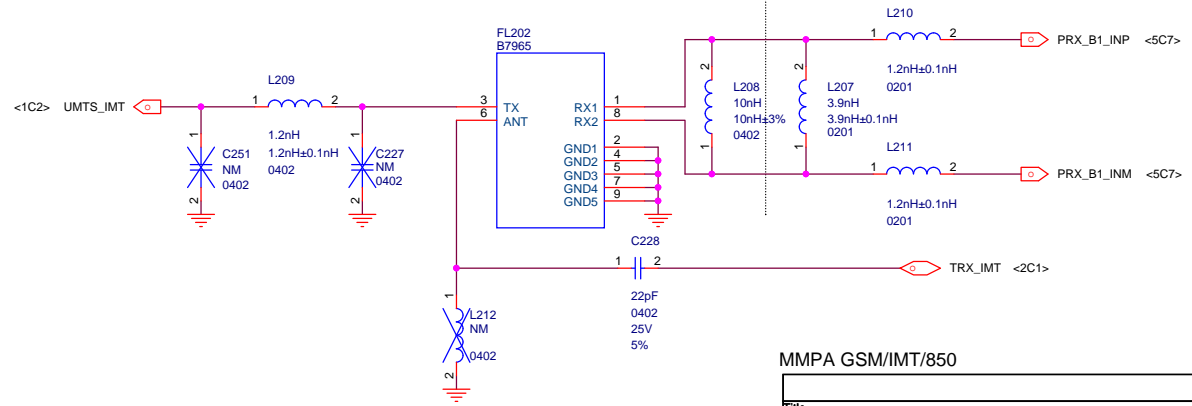
RF SWITCH/GSM-HB-RX

Title			MI-TWO		
Size	Document Number				Rev
A3	<Doc>				P4
Date:	Wednesday, September 26, 2012	Sheet	1	of	35



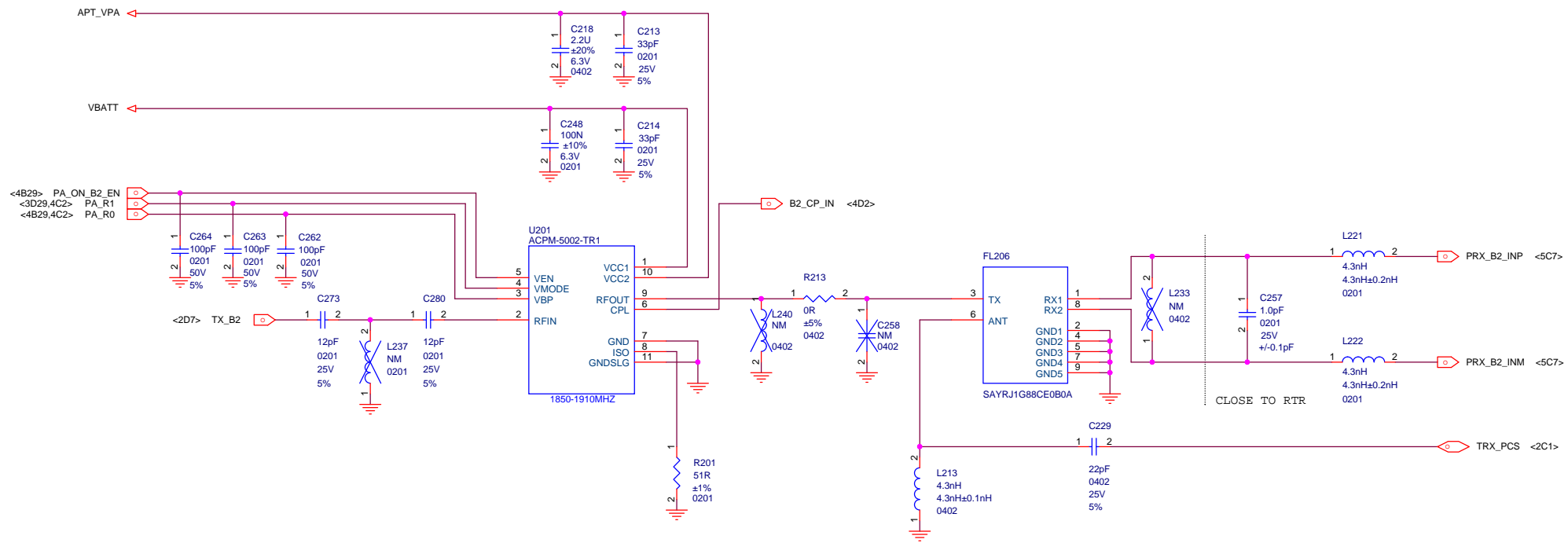
CONTROL LOGIC TABLE

POWER MODE	PA_ON_LB_EN	PA_ON_HB_EN	PA_ON_MODE	PA_R0	PA_R1
POWER DOWN	L	L	L	L	L
GSM_LB_HI_POWER	H	L	L	L	L
GSM LB MID POWER	H	L	L	L	H
GSM LB LOW POWER	H	L	L	H	L
GSM HB HIGH POWER	L	H	L	L	L
GSM HB LOW POWER	L	H	L	H	L
UMTS B5 HIGH POWER	H	L	H	L	X
UMTS B5 MID POWER	H	L	H	H	L
UMTS B5 LOW POWER	H	L	H	H	H
UMTS B1 HIGH POWER	L	H	H	L	X
UMTS B1 MID POWER	L	H	H	H	L
UMTS B1 LOW POWER	L	H	H	H	H



MPPA GSM/IMT/850

Title	<Title>	
Size	A3	Document Number <Doc>
Date:	Wednesday, September 26, 2012	Sheet 2 of 35
Rev	P4	

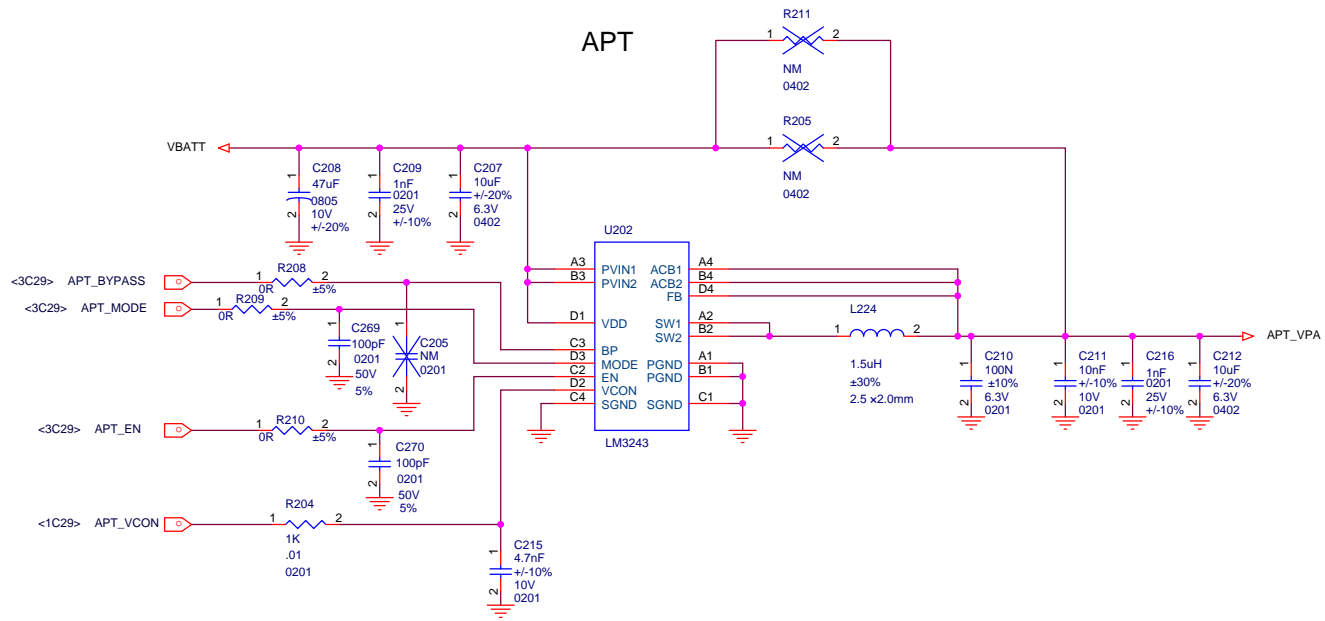
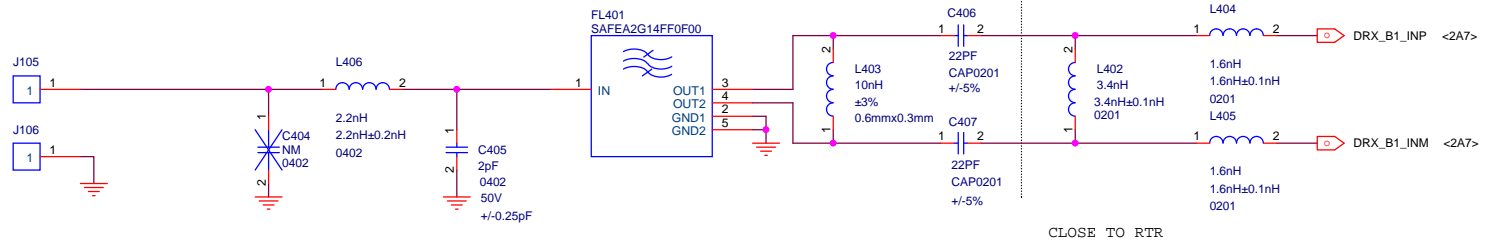


PA LOGIC

POWER MODE	PA_ON_B2_EN	PA_R0	PA_R1
HIGH POWER	H	L	L
MEDIUM POWER	H	L	H
LOW POWER	H	H	H
SHUT DOWN	L	L	L

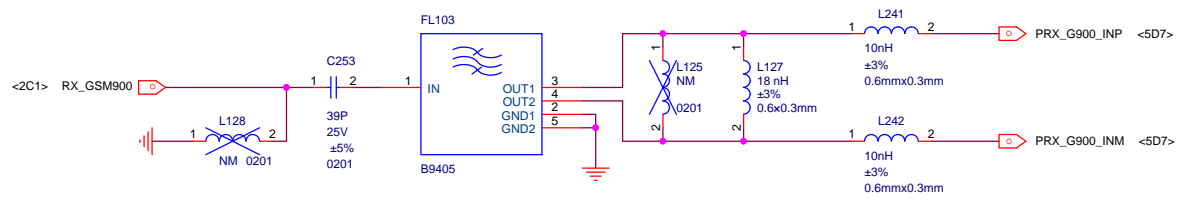
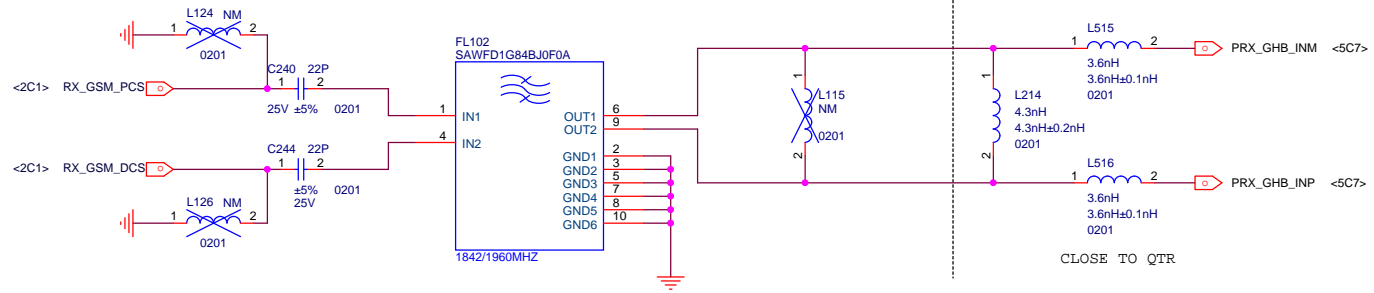
PCS/AWS

Title			<Title>
Size	Document Number	Rev	
A3	<Doc>	P4	
Date:	Wednesday, September 26, 2012	Sheet	3 of 35



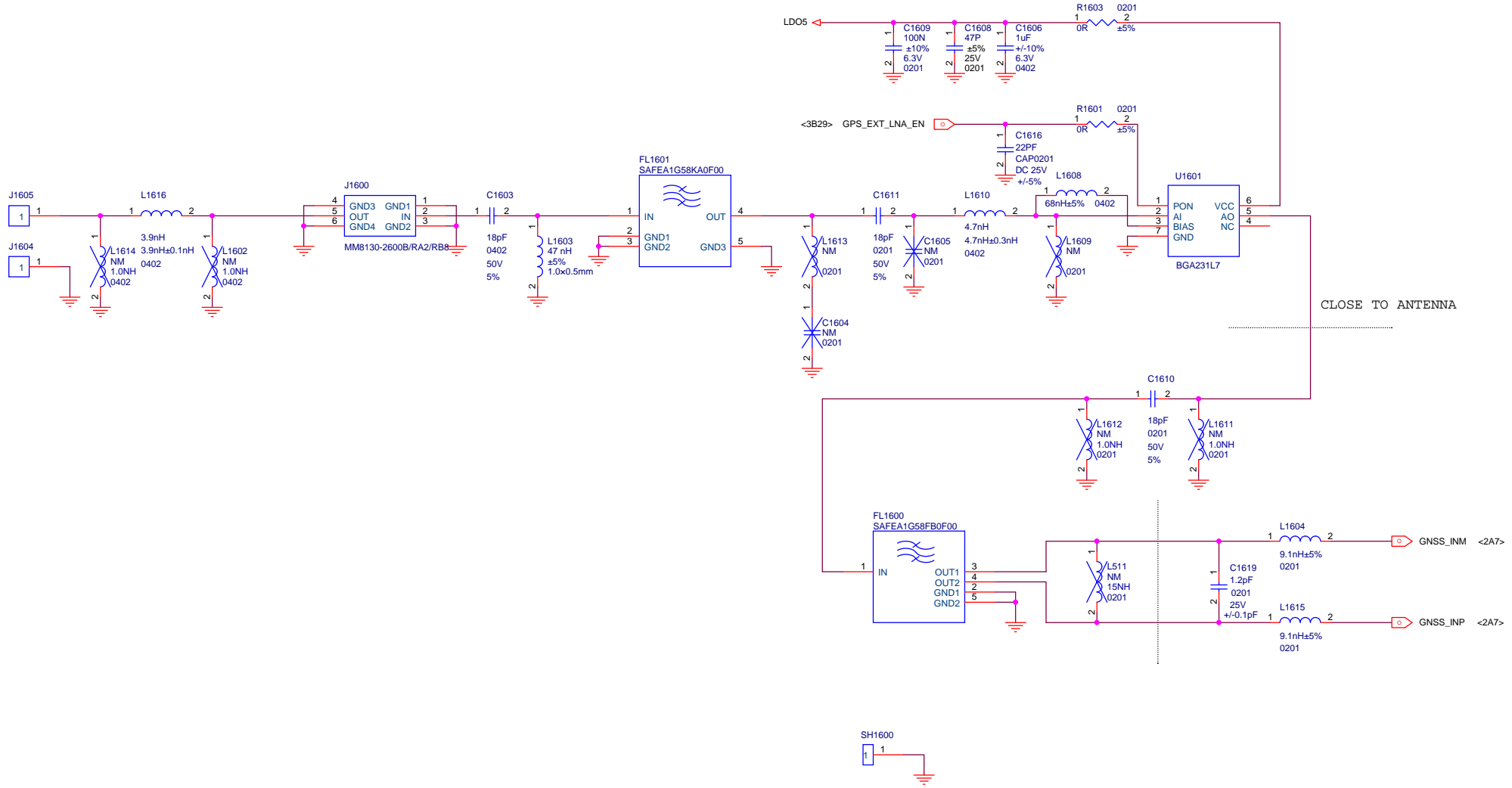
DIVERSITY RF FRONT END

Title		
<Title>		
Size	Document Number	Rev
A3	<Doc>	P4
Date:	Wednesday, September 26, 2012	Sheet 4 of 35



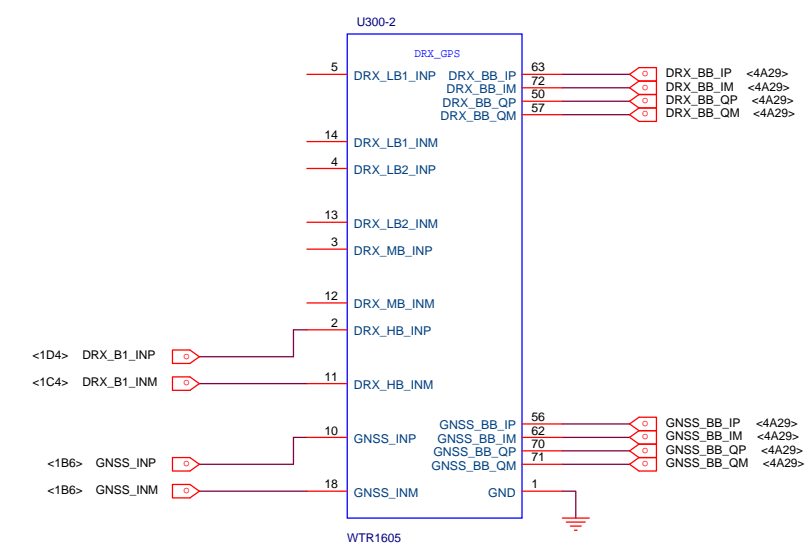
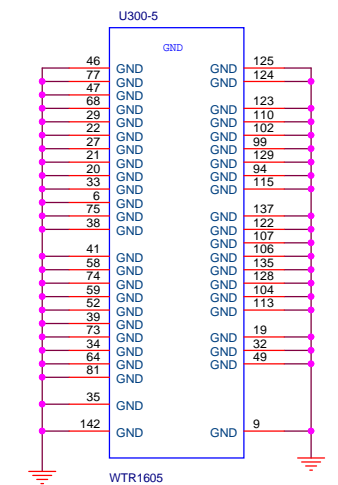
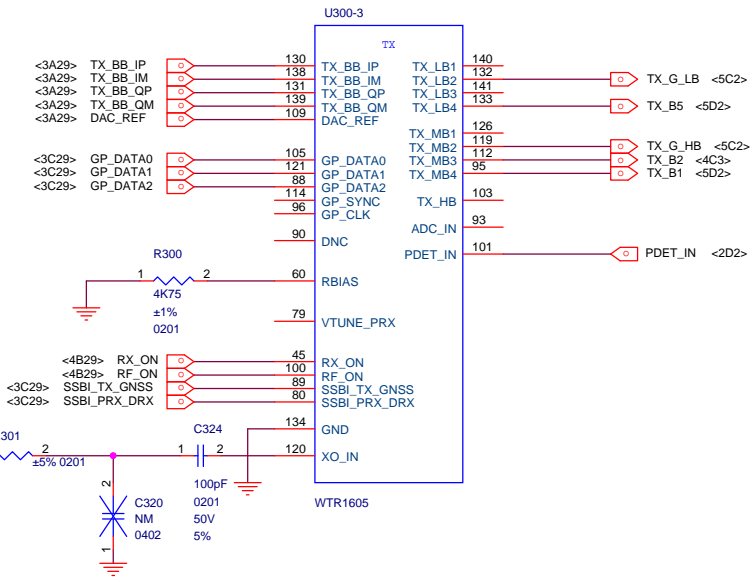
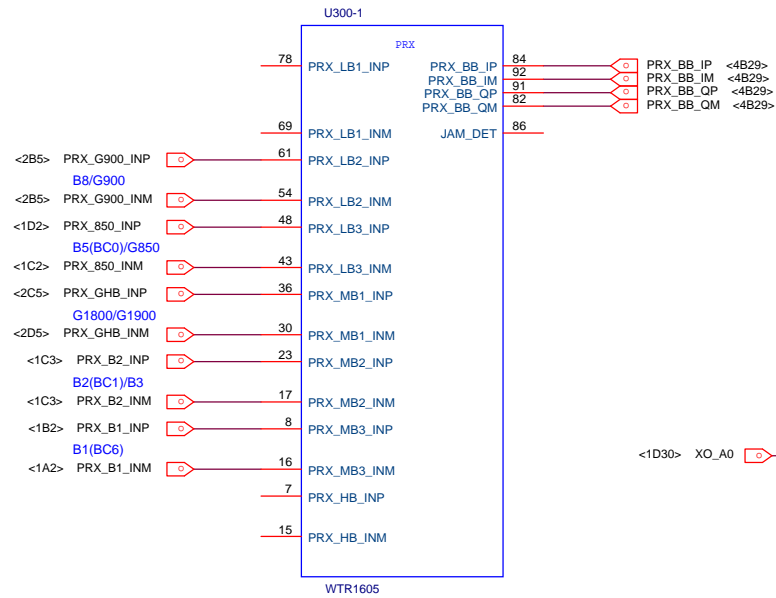
GSM RX

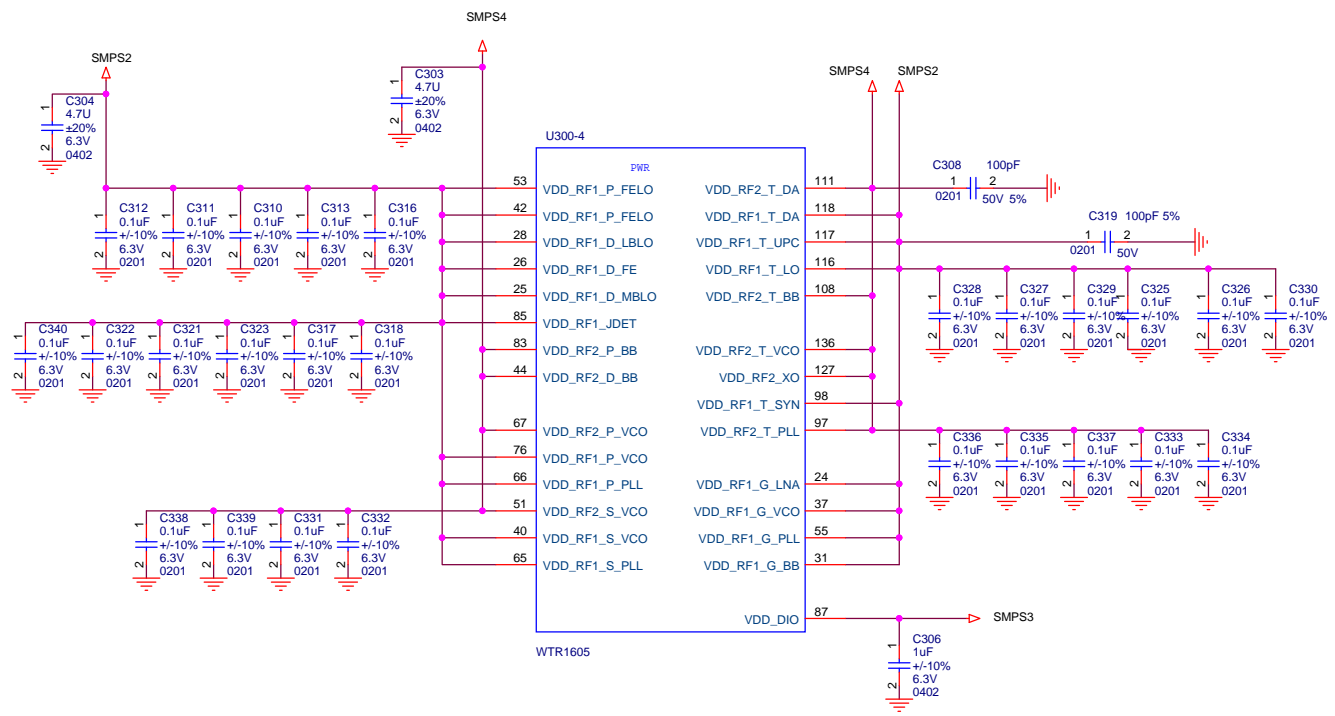
Title		
<Title>		
Size	Document Number	Rev
A3	<Doc>	P4
Date:	Wednesday, September 26, 2012	Sheet 5 of 35



GPS

Title		
<Title>		
Size	Document Number	Rev
A3	<Doc>	P4
Date:	Wednesday, September 26, 2012	Sheet 6 of 35

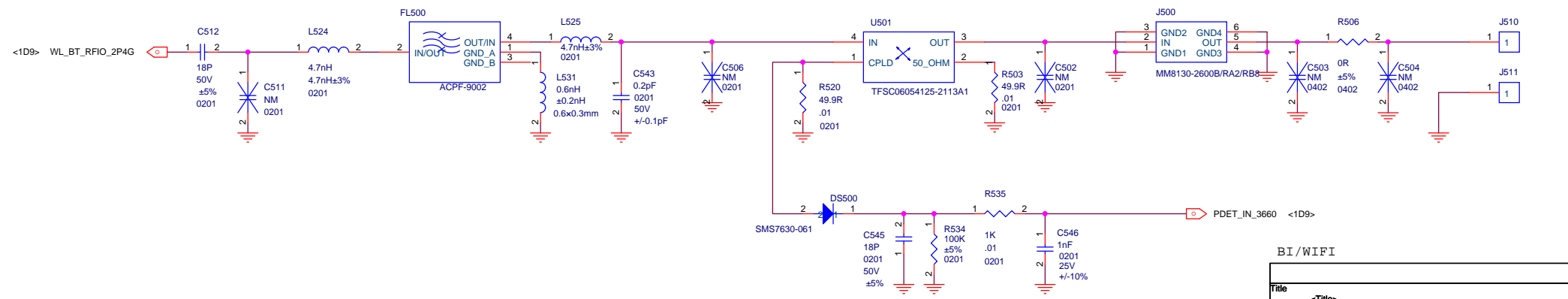
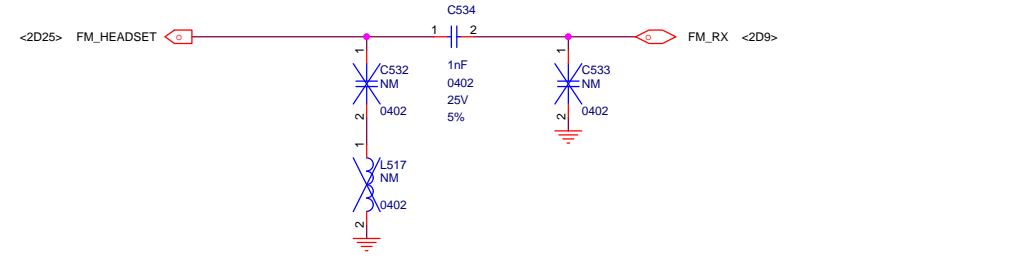
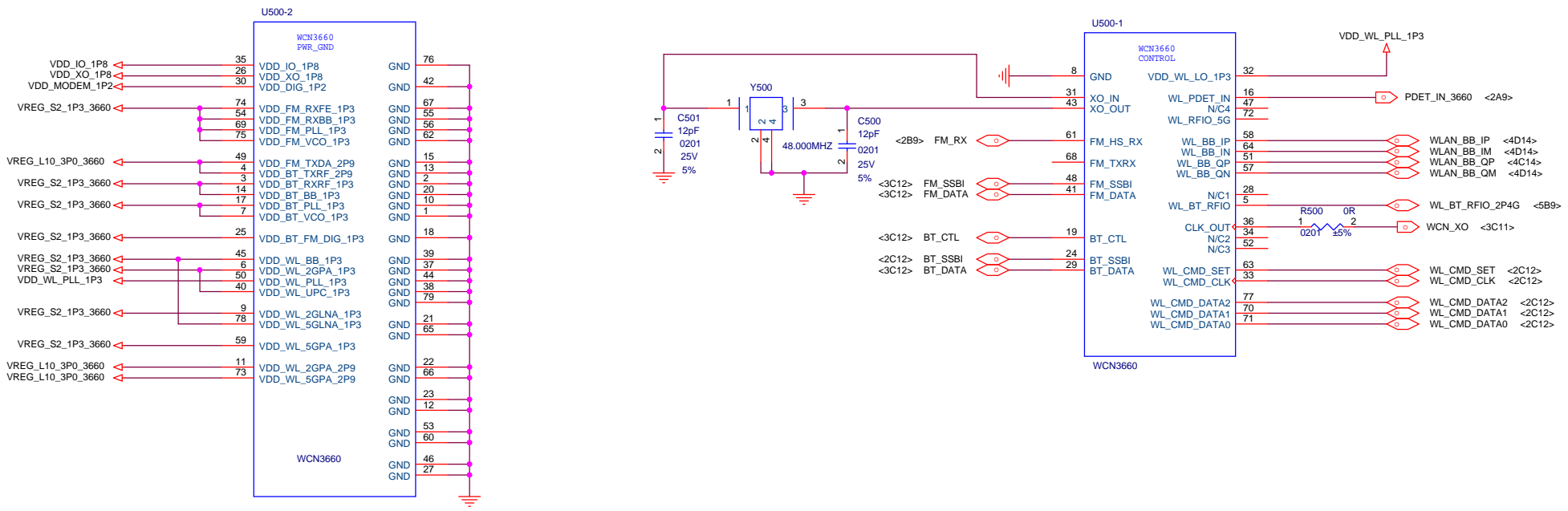




GROUP	NAME	PIN	NET
1	VDD_RF2_D_BB	44	SMPS4
2	VDD_RF2_T_DA	111	
3	VDD_RF2_P_BB	83	
4	VDD_RF2_P_VCO	67	
	VDD_RF2_S_VCO	51	
	VDD_RF2_T_VCO	136	
5	VDD_RF2_T_PLL	97	SMPS2
6	VDD_RF2_XO	127	
7	VDD_RF1_P_PLL	66	
	VDD_RF1_S_PLL	65	
	VDD_RF1_P_VCO	76	
	VDD_RF1_S_VCO	40	
8	VDD_RF1_T_DA	118	
9	VDD_RF1_T_SYN	98	
	VDD_RF1_T_LO	116	
	VDD_RF1_T_UPC	117	
10	VDD_RF1_P_FELO	53	
	VDD_RF1_D_FE	26	
11	VDD_RF1_P_FELO	42	
12	VDD_RF1_D_LBLO	28	
	VDD_RF1_D_MBLO	25	
13	VDD_RF1_JDET	85	
14	VDD_RF1_G_LNA	24	
	VDD_RF1_G_BB	31	
	VDD_RF1_G_PLL	55	
	VDD_RF1_G_VCO	37	
15	VDD_DIO	87	SMPS3

RTR8600 BYPASS

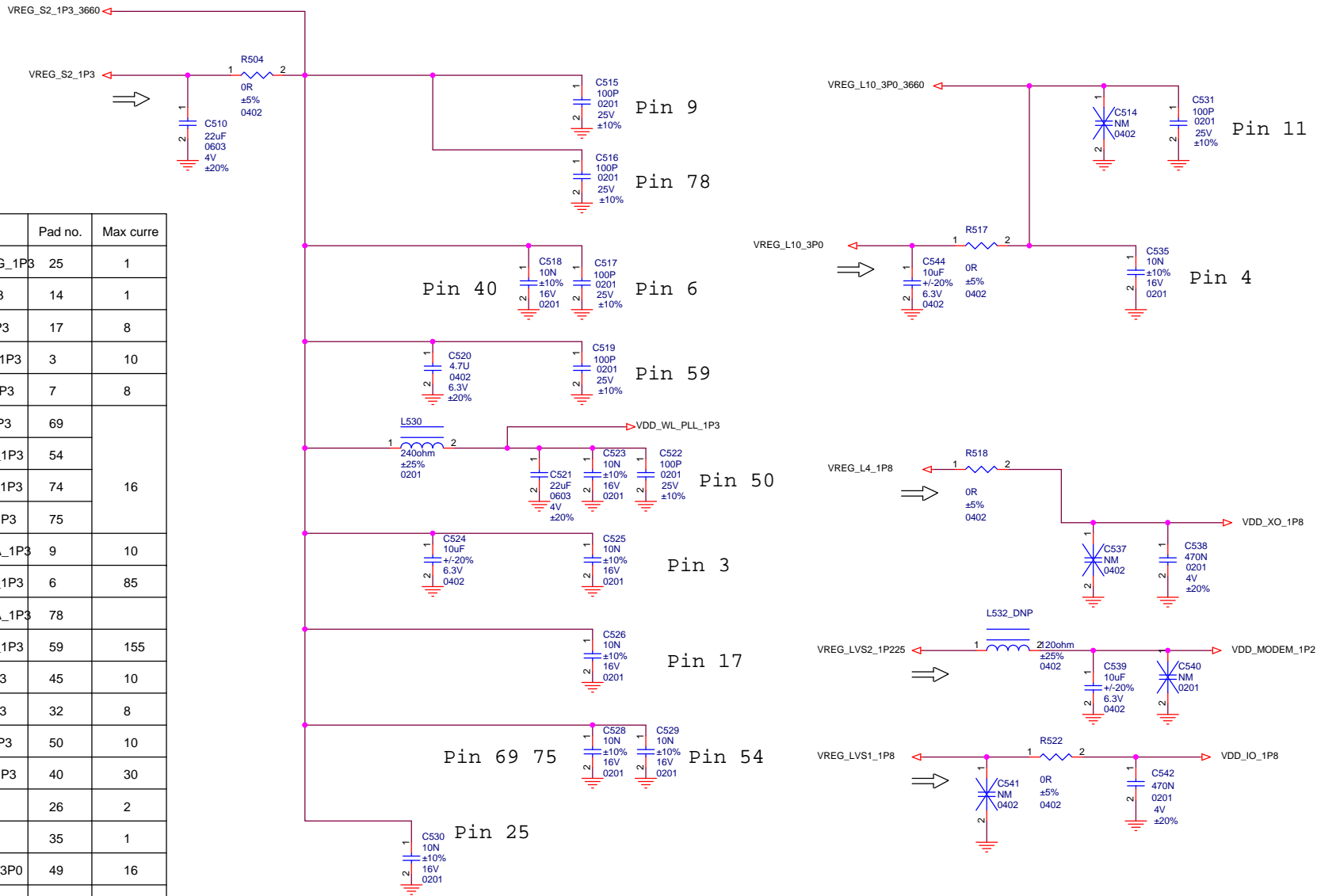
Title			<Title>
Size	Document Number	Rev	
A3	<Doc>	P4	
Date:	Wednesday, September 26, 2012	Sheet	8 of 35

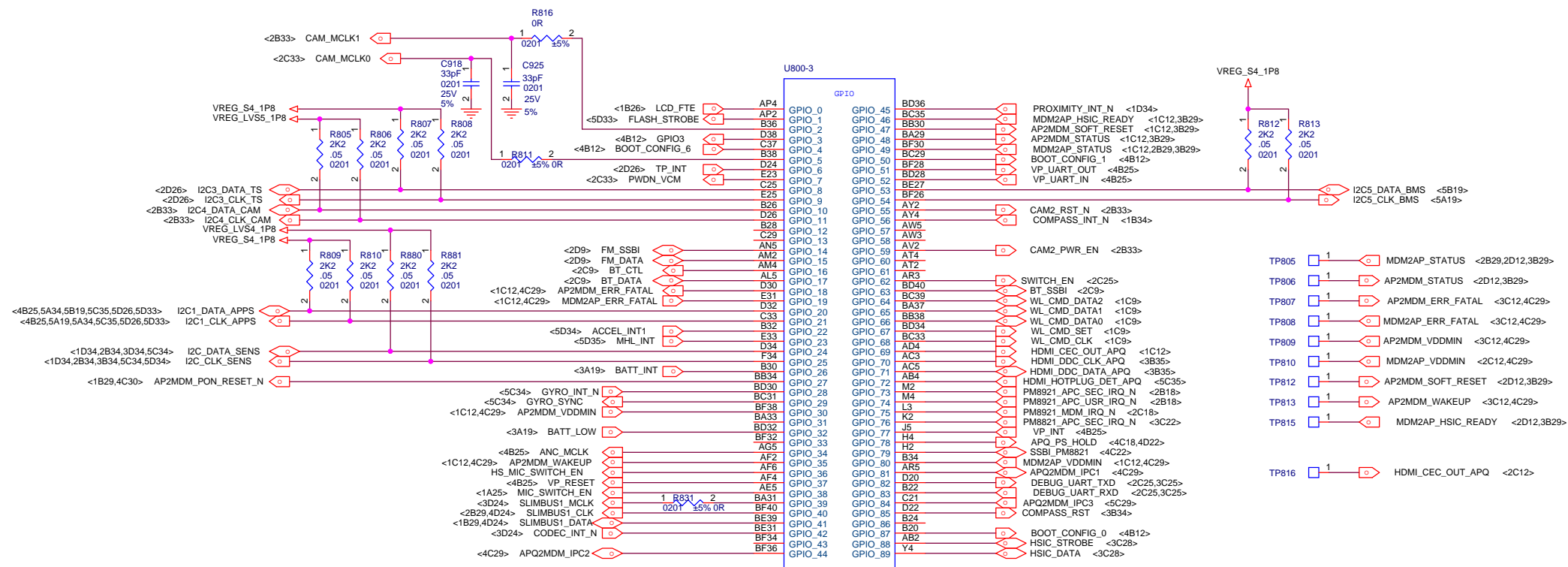


BI / WIFI

Title	<Title>		
Size	A3	Document Number	<Doc>
Date:	Wednesday, September 26, 2012	Sheet	9 of 35
Rev	P4		

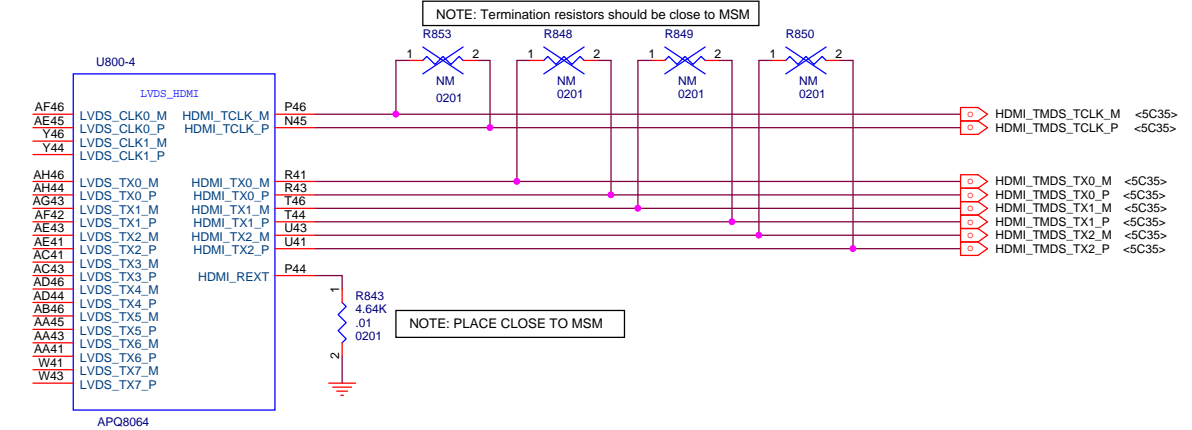
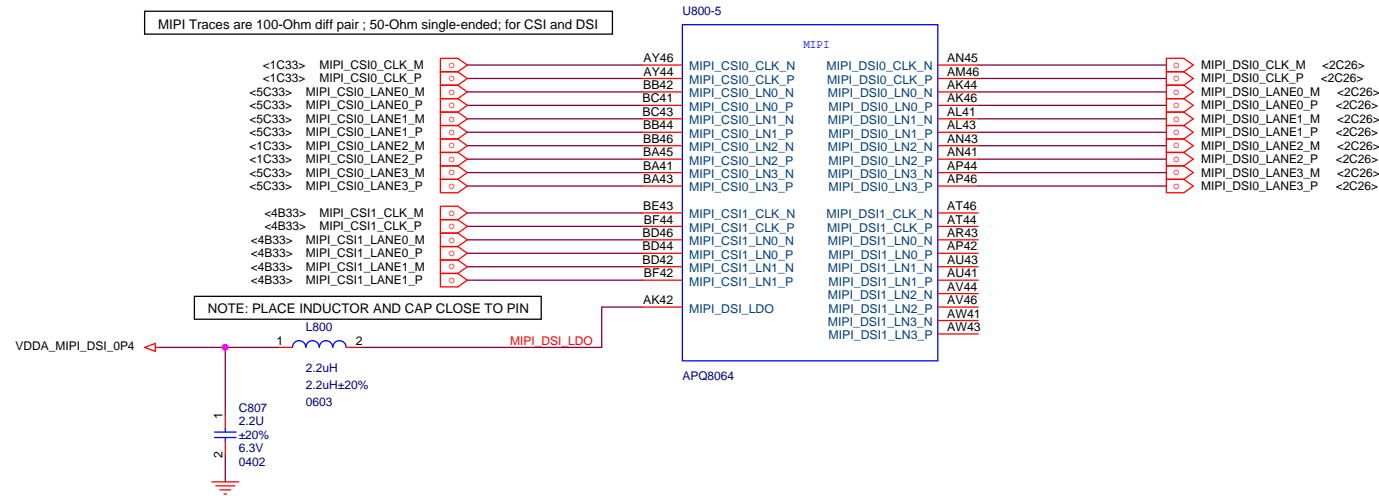
Voltage	Pad name	Pad no.	Max curre	
1P3	VDD_BT_FM_DIG_1P3	25	1	
	VDD_BT_BB_1P3	14	1	
	VDD_BT_PLL_1P3	17	8	
	VDD_BT_RXRF_1P3	3	10	
	VDD_BT_VCO_1P3	7	8	
	VDD_FM_PLL_1P3	69	16	
	VDD_FM_RXBB_1P3	54		
	VDD_FM_RXFE_1P3	74		
	VDD_FM_VCO_1P3	75		
	VDD_WL_2GLNA_1P3	9		10
	VDD_WL_2GPA_1P3	6		85
	VDD_WL_5GLNA_1P3	78	155	
	VDD_WL_5GPA_1P3	59		
	VDD_WL_BB_1P3	45		10
VDD_WL_LO_1P3	32	8		
VDD_WL_PLL_1P3	50	10		
VDD_WL_UPC_1P3	40	30		
1P8	VDD_XO_1P8	26	2	
	VDD_IO_1P8	35	1	
3P0	VDD_FM_TXDA_3P0	49	16	
	VDD_WL_2GPA_3P0	11	560	
	VDD_WL_5GPA_3P0	73	600	
	VDD_BT_TXRF_3P0	4	45	
1P2	VDD_DIG_1P2	30	4	





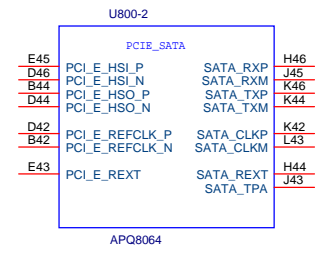
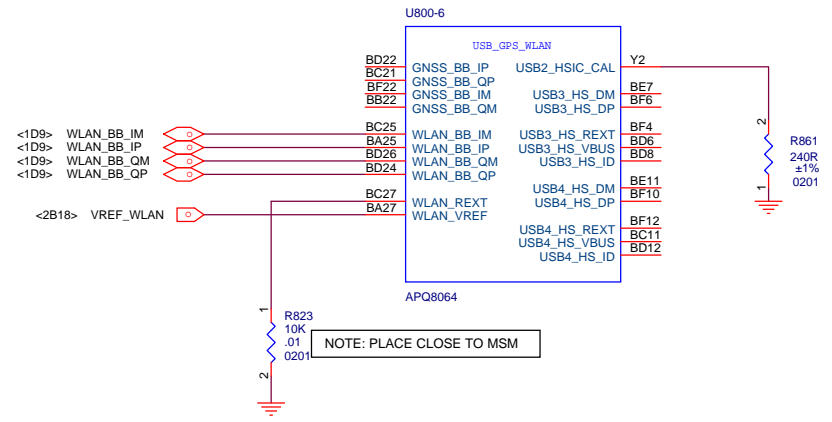
MSM8960 (2 OF 7) - GPIO

Title		
MI-TWO		
Size	Document Number	Rev
A3	<Doc>	P4
Date:	Wednesday, September 26, 2012	Sheet 12 of 35



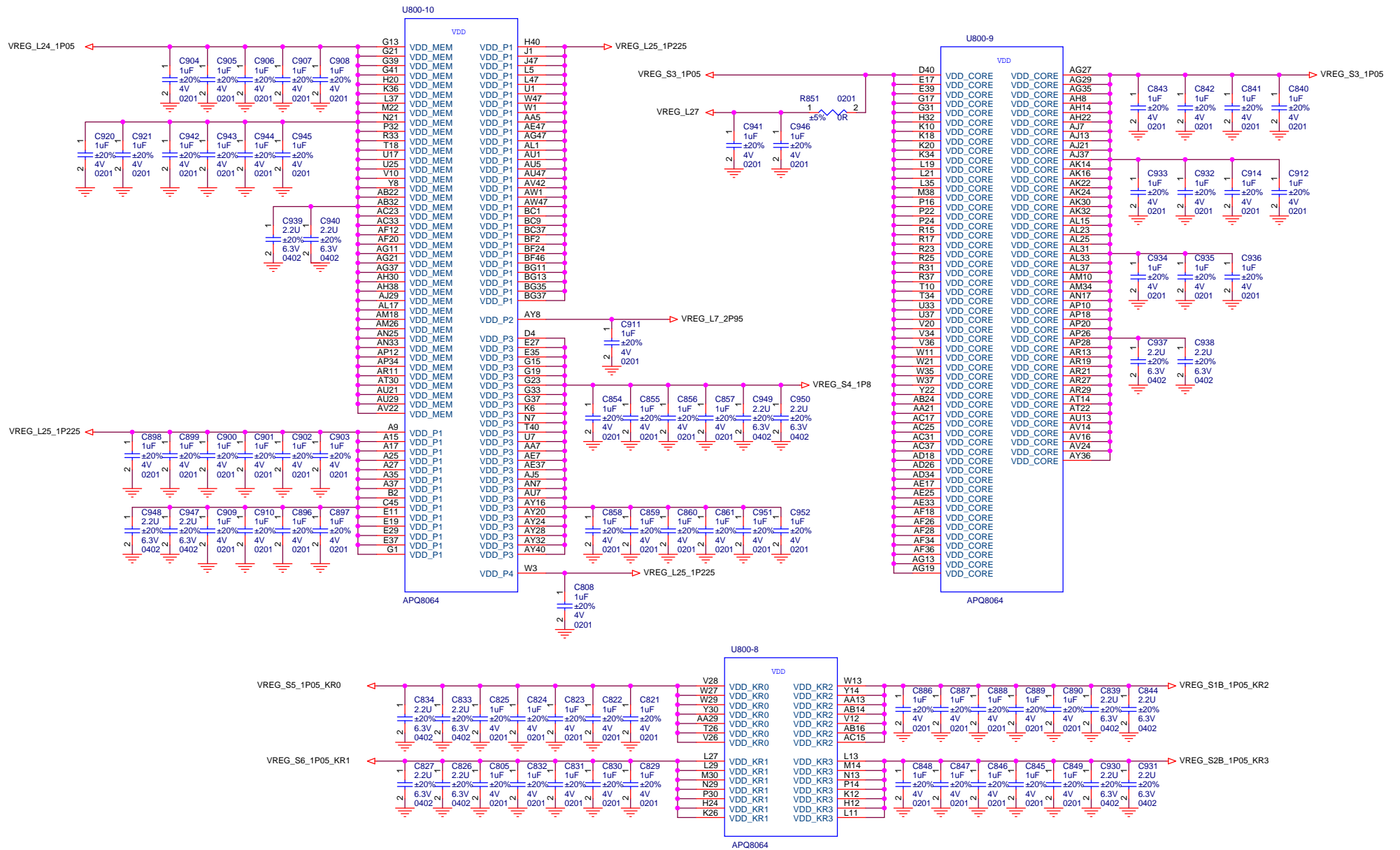
MSM8960 (3 OF 7) - MSM8960 MIPI DSI,CSI and HDMI

Title		
MI-TWO		
Size	Document Number	Rev
A3	<Doc>	P4
Date:	Wednesday, September 26, 2012	Sheet 13 of 35



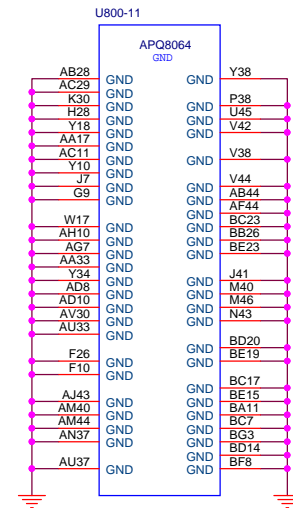
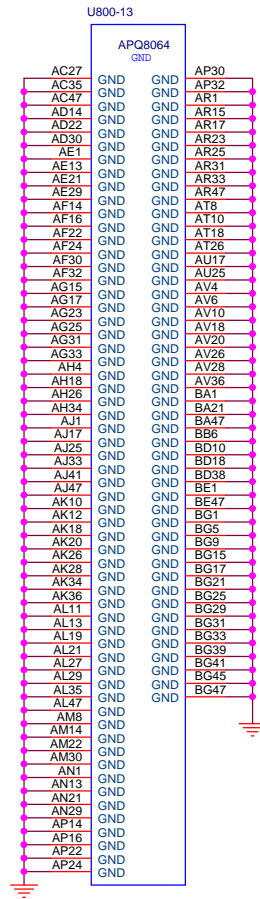
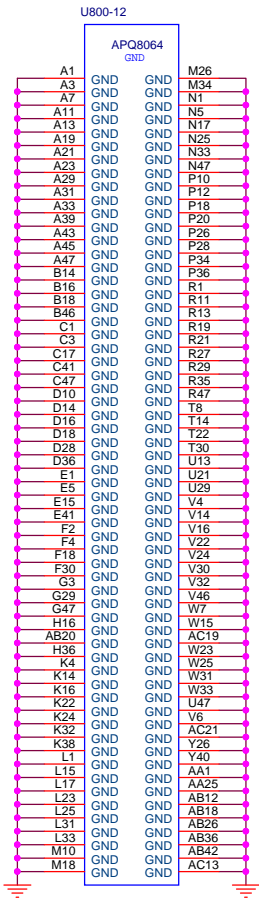
MSM8960 (4 OF 7) - MSM8960 RF INTERFACE

Title		
MI-TWO		
Size	Document Number	Rev
A3	<Doc>	P4
Date:	Wednesday, September 26, 2012	Sheet 14 of 35



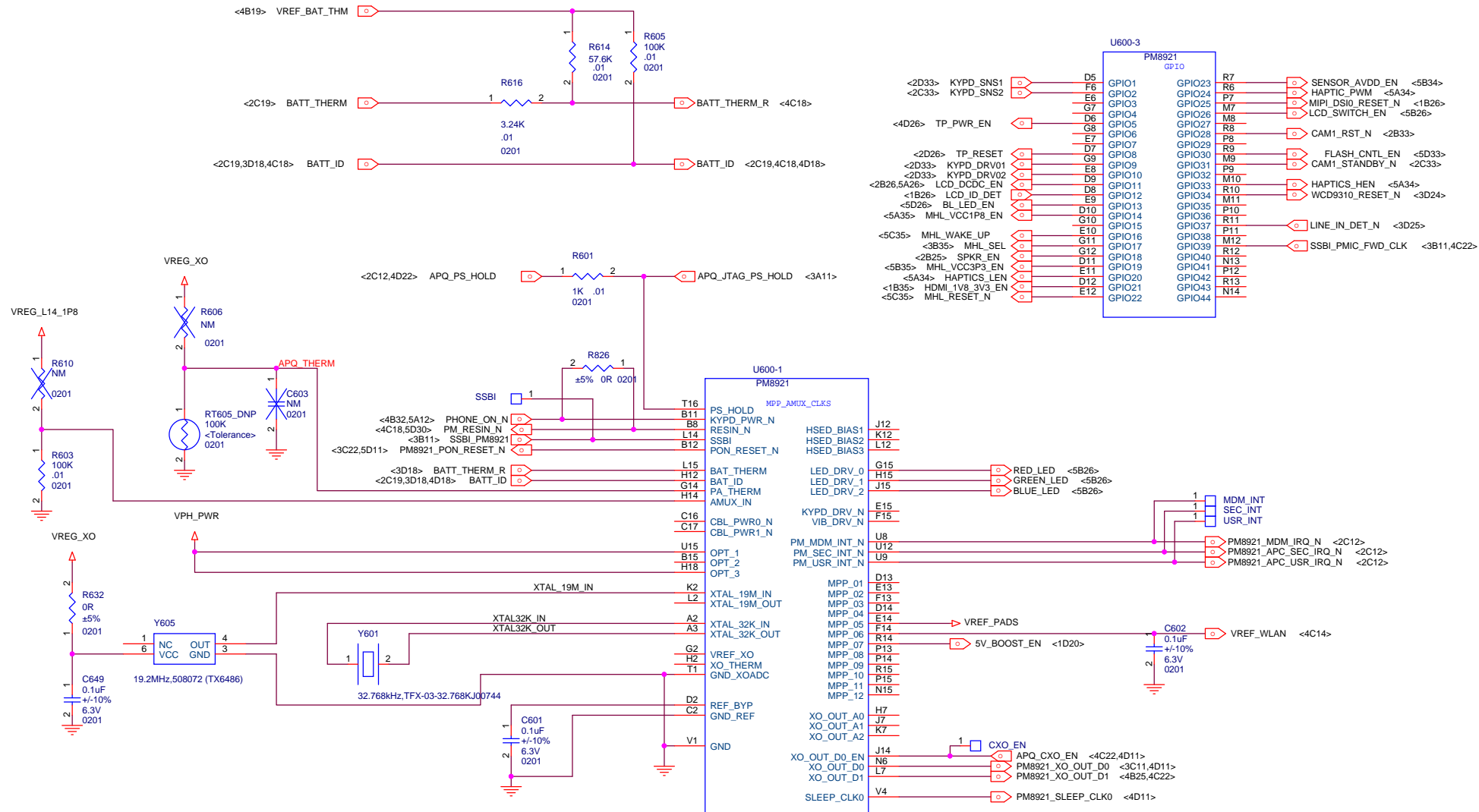
MSM8960 (6 OF 7) - MSM8960 POWER1

Title		<Title>
Size	Document Number	Rev
A3	<Doc>	P4
Date:	Wednesday, September 26, 2012	Sheet 16 of 35



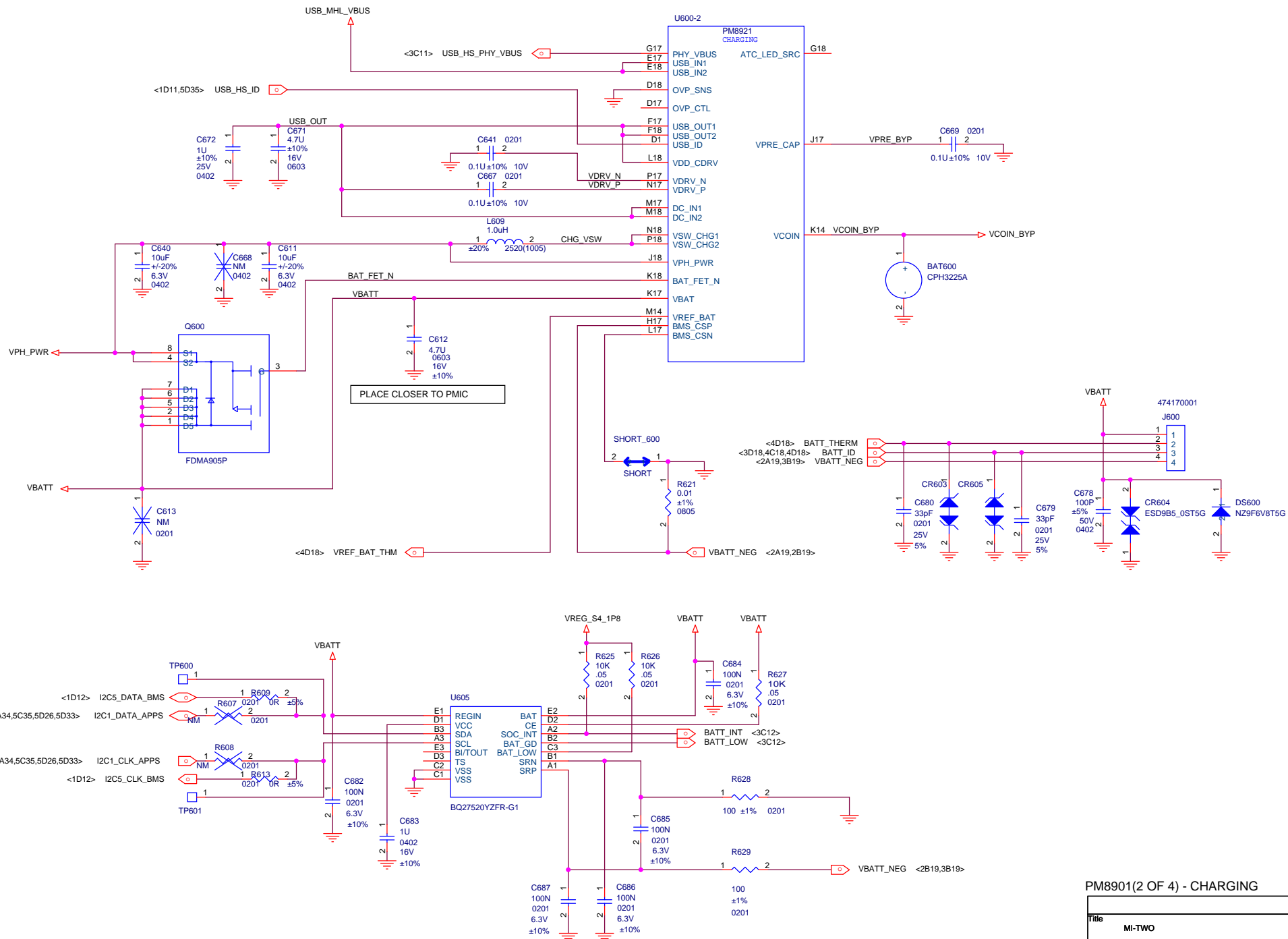
MSM8960 (7 OF 7) - MSM8960 GND

Title		
<Title>		
Size	Document Number	Rev
A3	<Doc>	P4
Date:	Wednesday, September 26, 2012	Sheet 17 of 35



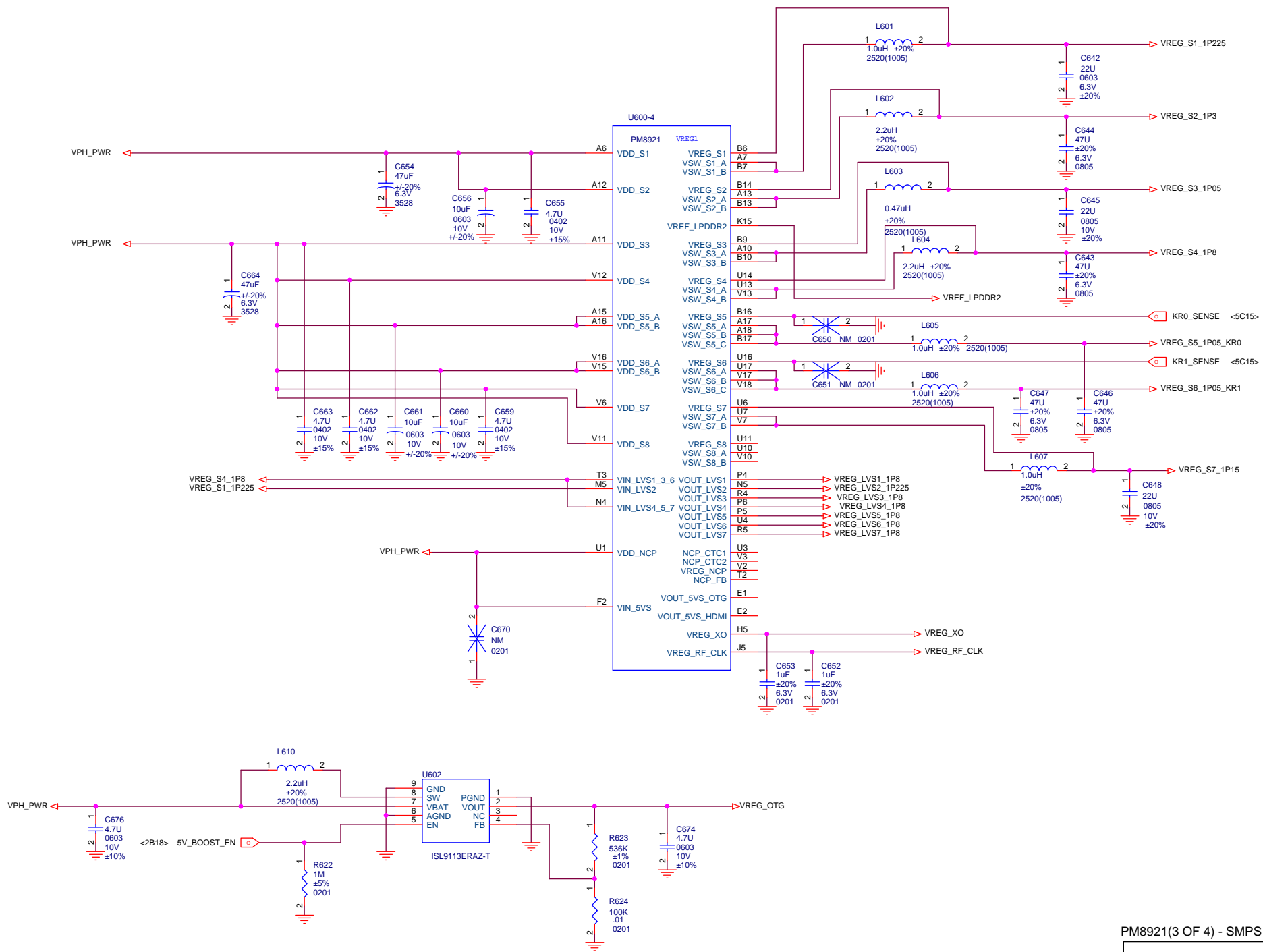
PM8921(1 OF 4)-AMUX,CLK,GPIO

Title			
MI-TWO			
Size	Document Number	Rev	P4
A3	<Doc>	<Doc>	
Date:	Wednesday, September 26, 2012	Sheet	18 of 35



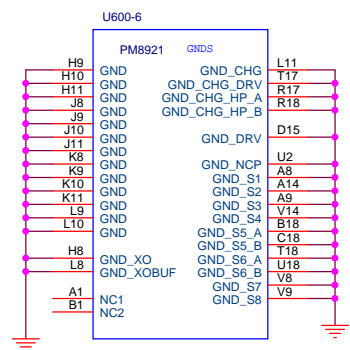
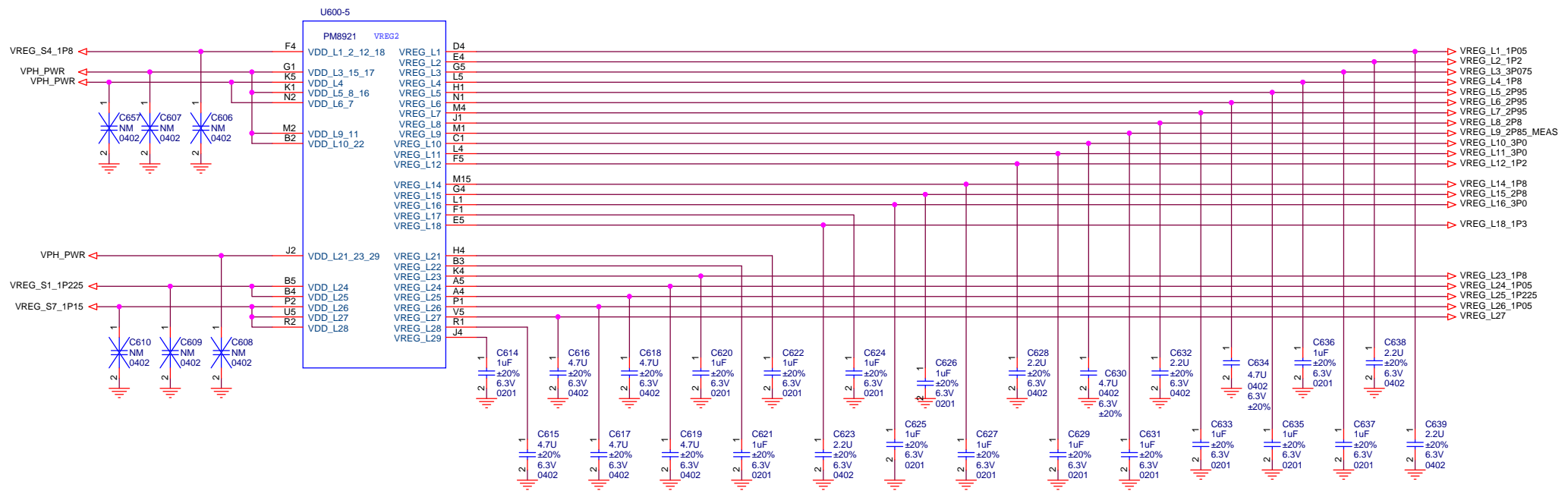
PM8901(2 OF 4) - CHARGING

Title		MI-TWO
Size	Document Number	Rev
A3	<Doc>	P4
Date:	Wednesday, September 26, 2012	Sheet 19 of 35

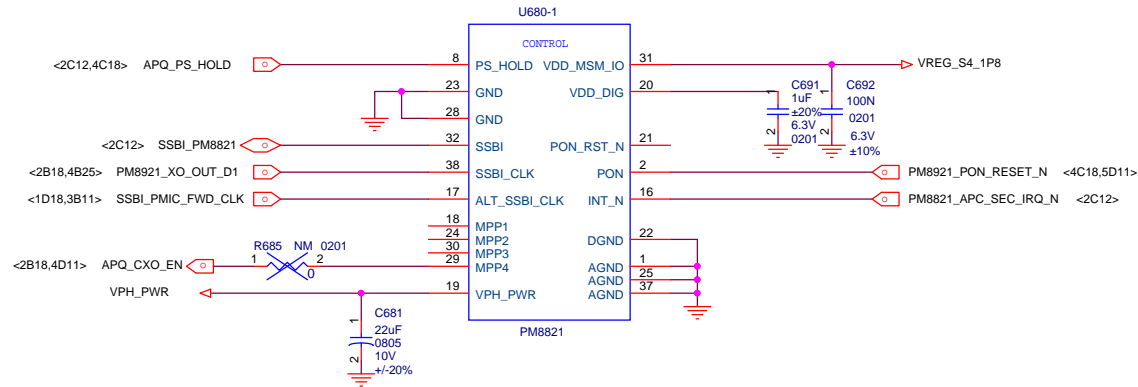


PM8921(3 OF 4) - SMPS

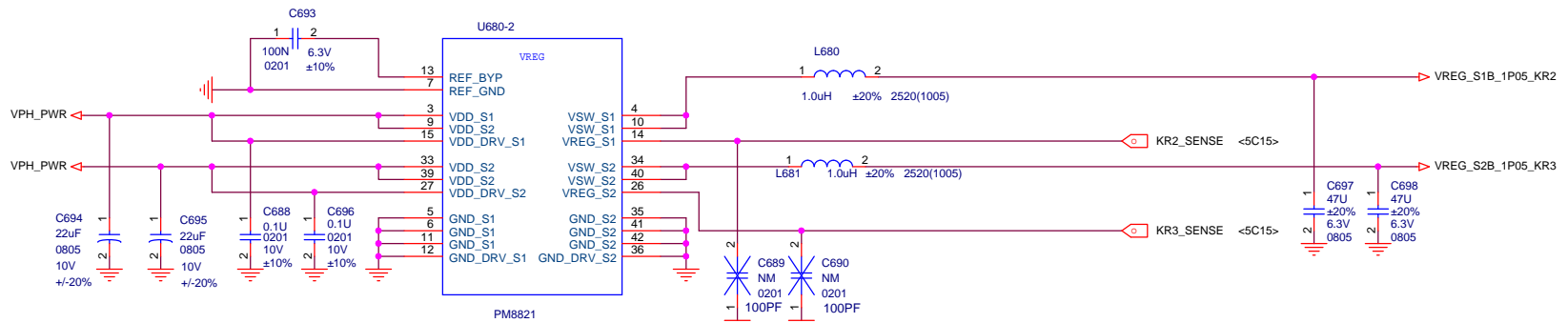
Title			MI-TWO
Size	Document Number	Rev	P4
A3	<Doc>		
Date:	Wednesday, September 26, 2012	Sheet	20 of 35

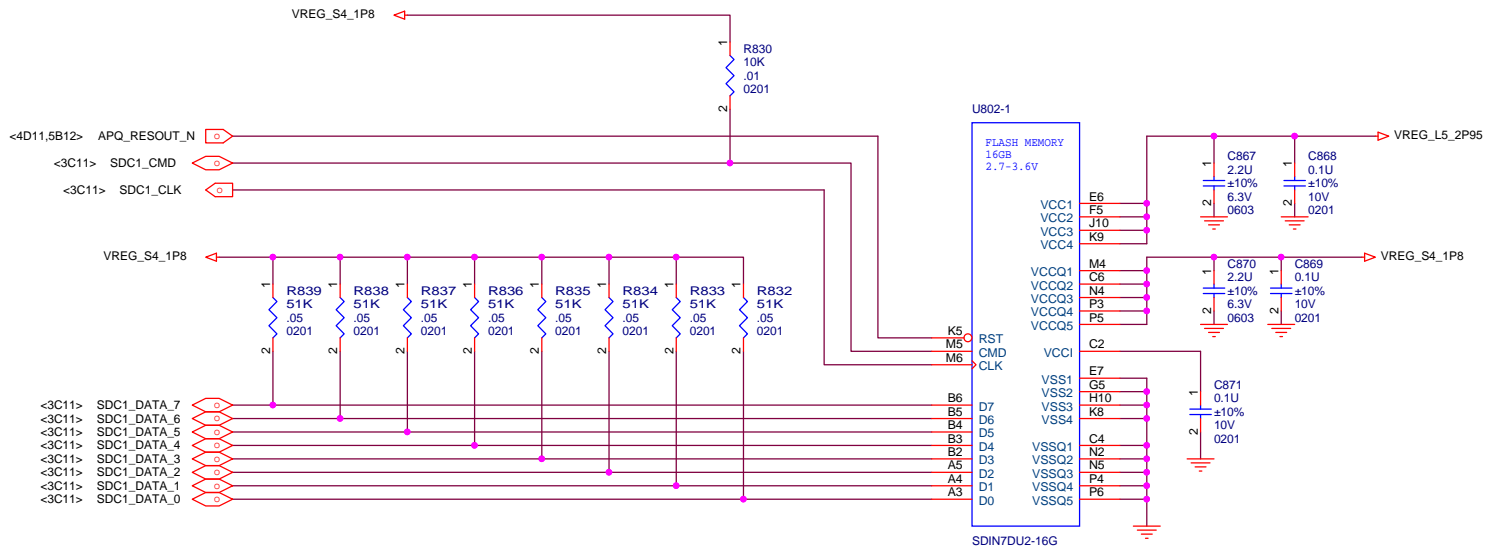
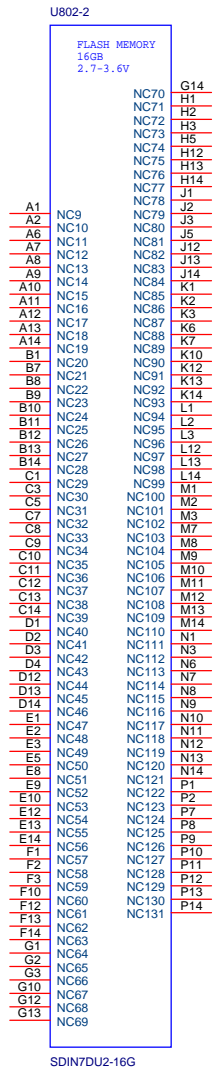


PM8821 CONTROL



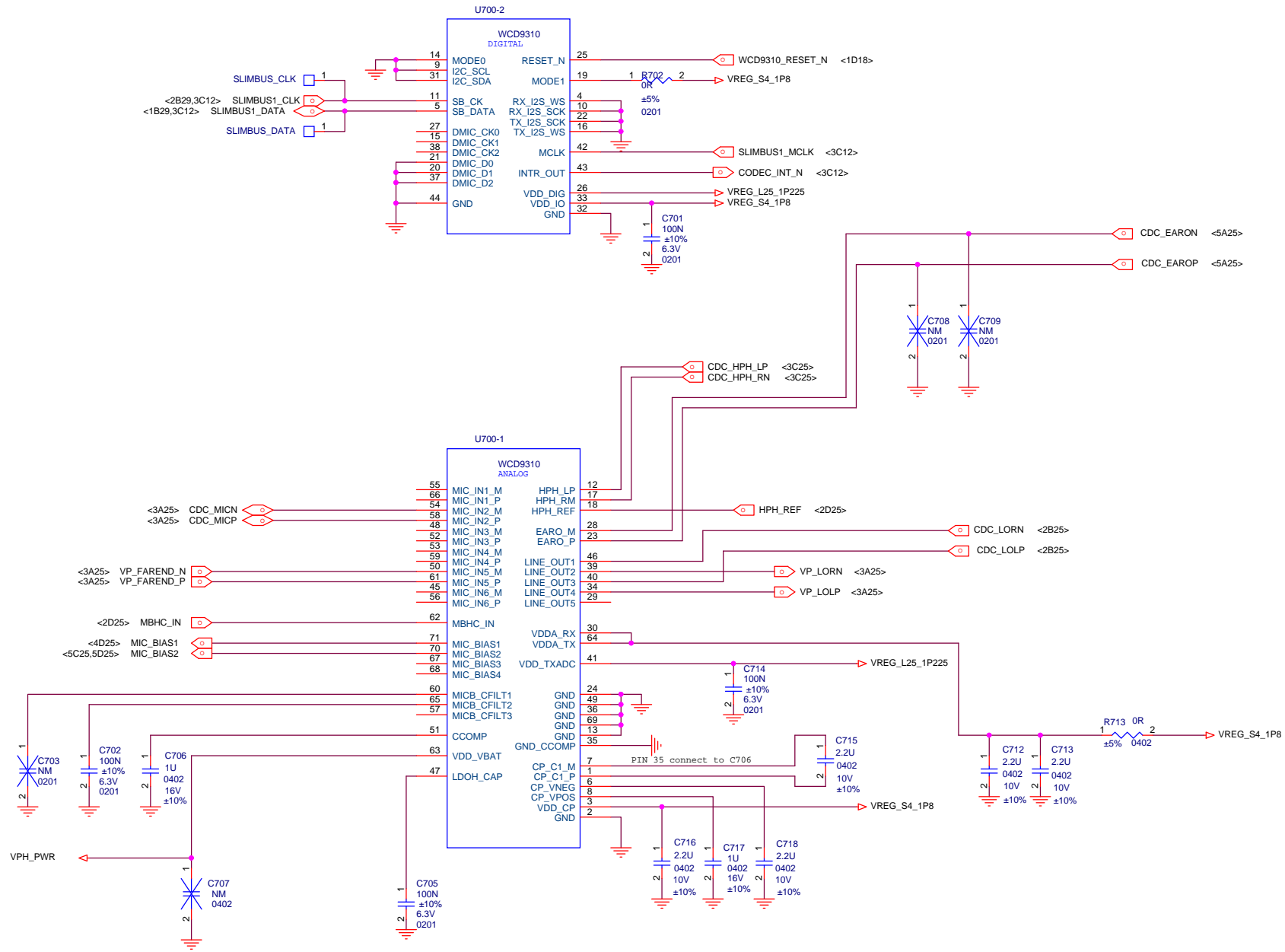
PM8821 VREGS





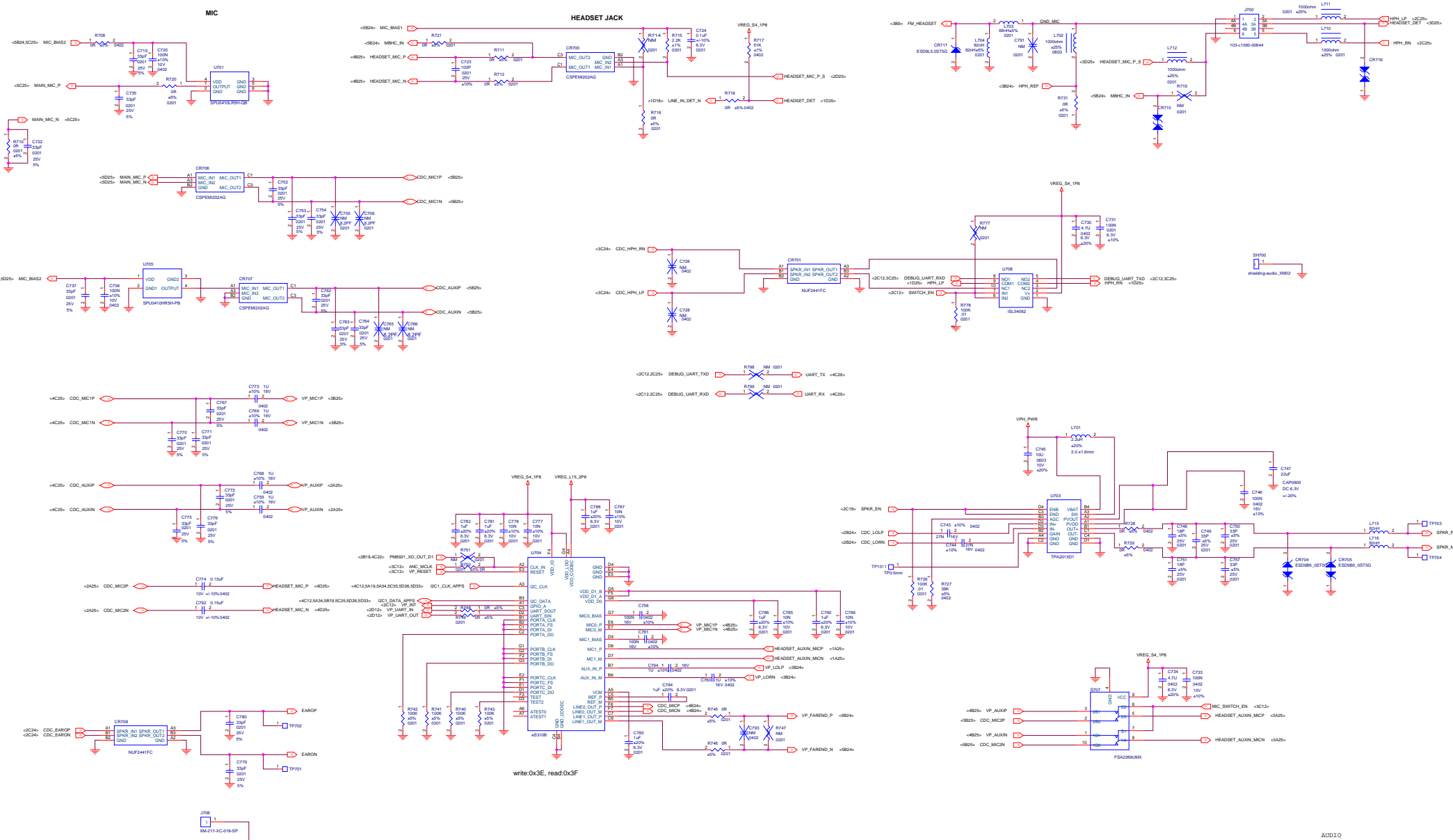
MEMORY

Title		
<Title>		
Size	Document Number	Rev
A3	<Doc>	P4
Date:	Wednesday, September 26, 2012	Sheet 23 of 35



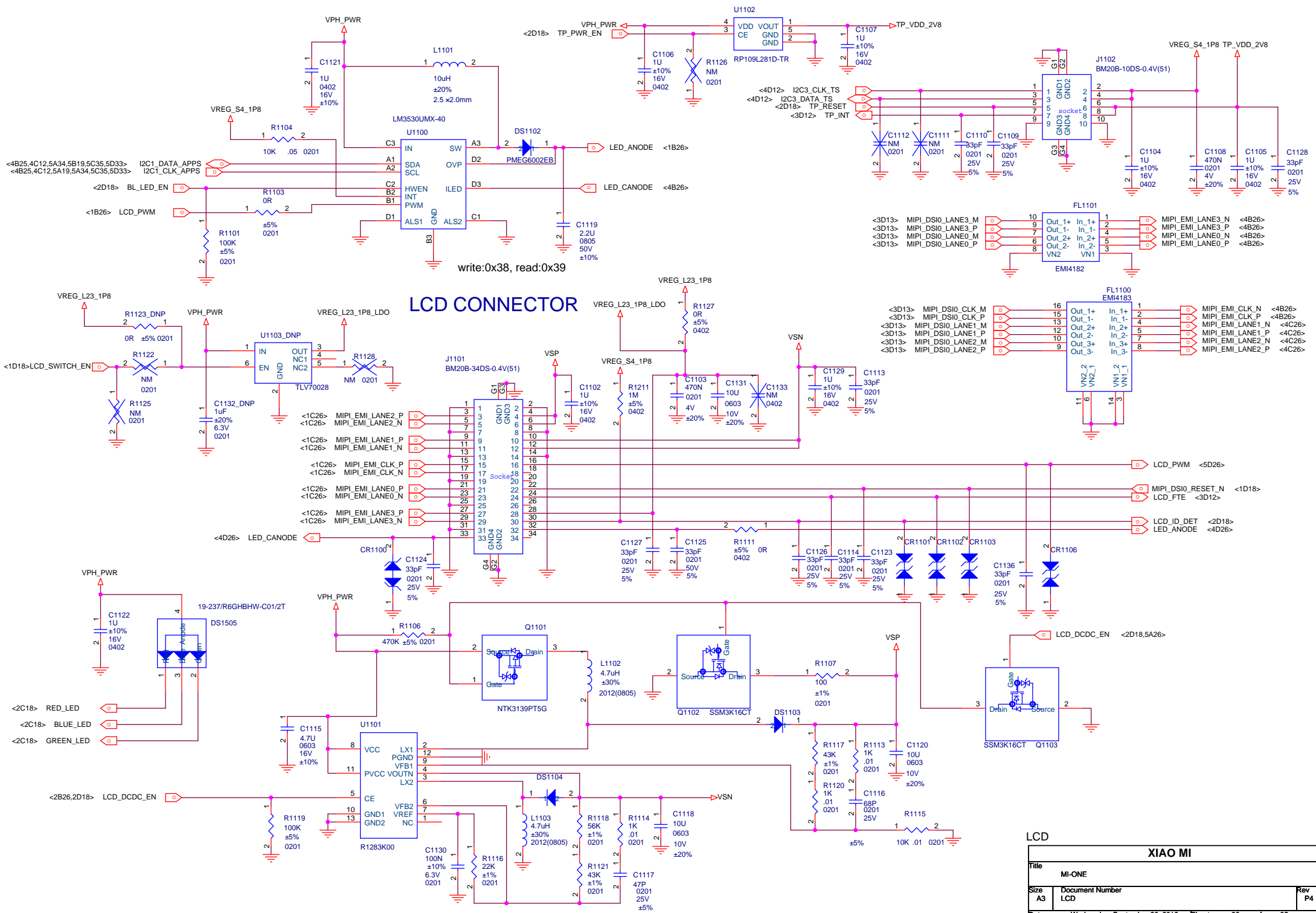
WCD9310

Title		
<Title>		
Size	Document Number	Rev
A3	<Doc>	P4
Date:	Wednesday, September 26, 2012	Sheet 24 of 35



write:0x3E, read:0x3F

AUD10			
File	<Title>	Rev	P4
File	<Title>		
Rev	<Revision Number>		
D	<Date>		
Rev	<Revision Number>		
Date	<Date>		

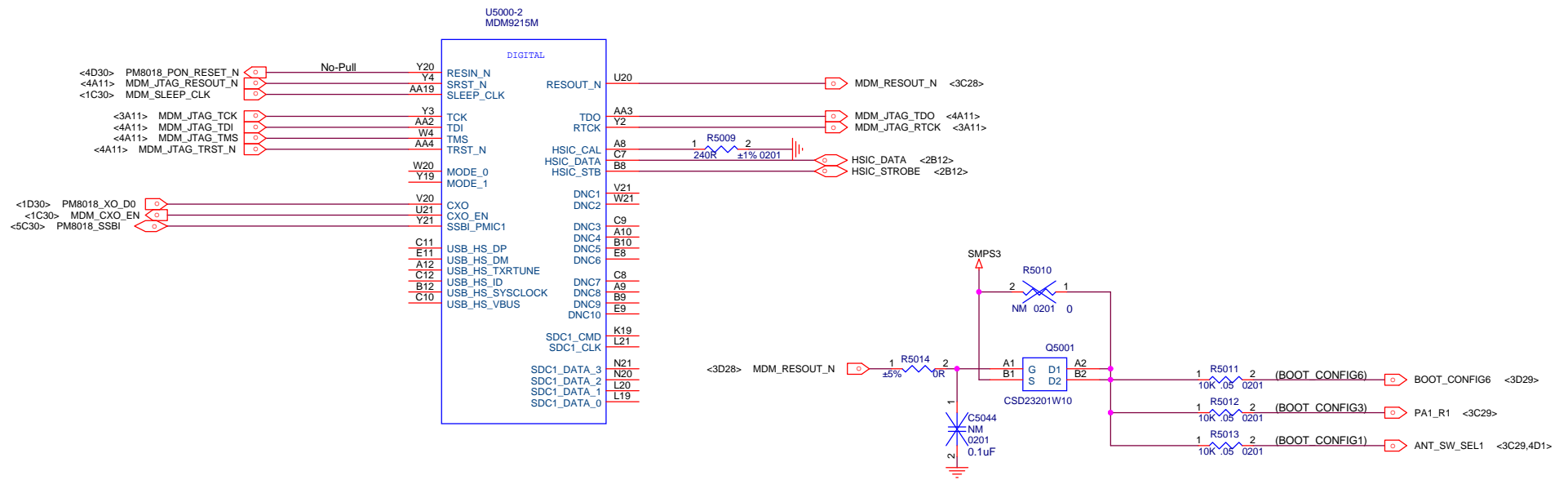


LCD CONNECTOR

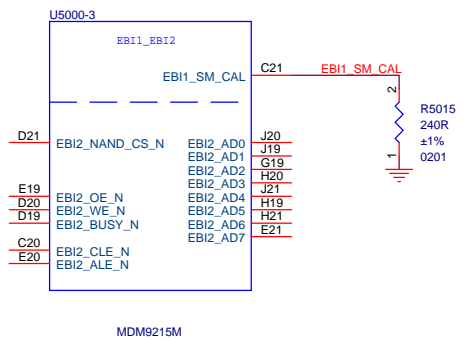
write:0x38, read:0x39

LCD			
XIAO MI			
Title	MI-ONE		
Size	A3	Document Number	LCD
Date:	Wednesday, September 26, 2012	Sheet	26 of 35
Rev	P4		

MDM9215M : DIGITAL



MDM9215M : MEMORY



MDM9215M : DIGITAL AND EBI

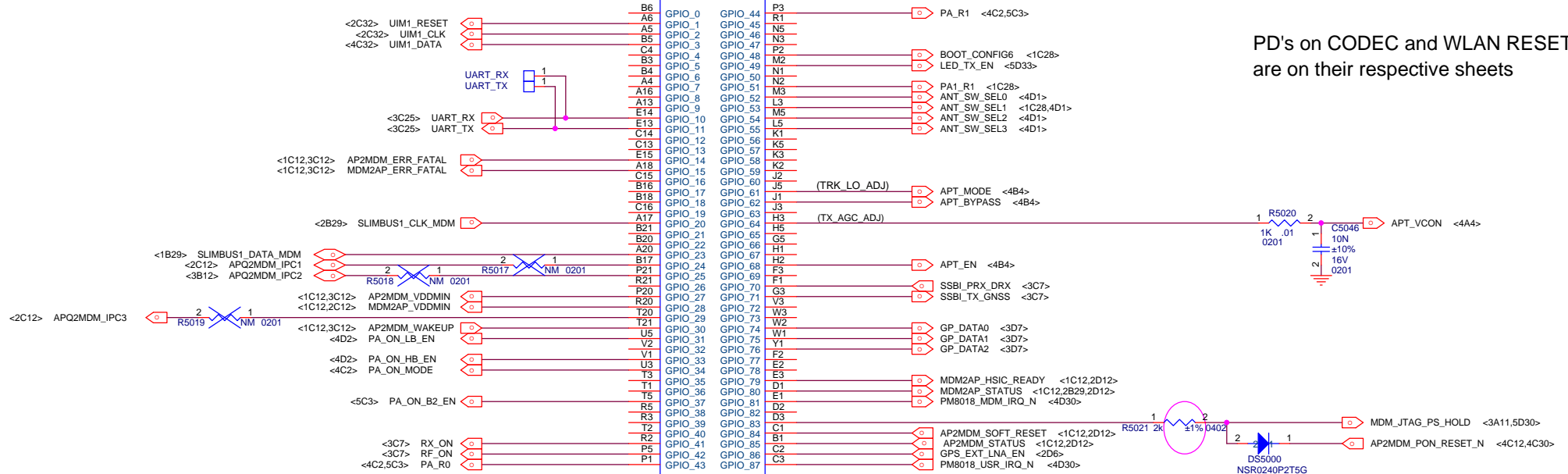
Title		
<Title>		
Size	Document Number	Rev
A3	<Doc>	P4
Date:	Wednesday, September 26, 2012	Sheet 28 of 35

MDM9215M : GPIO & ANALOG IO

MDM9215M

U5000-4

GPIO

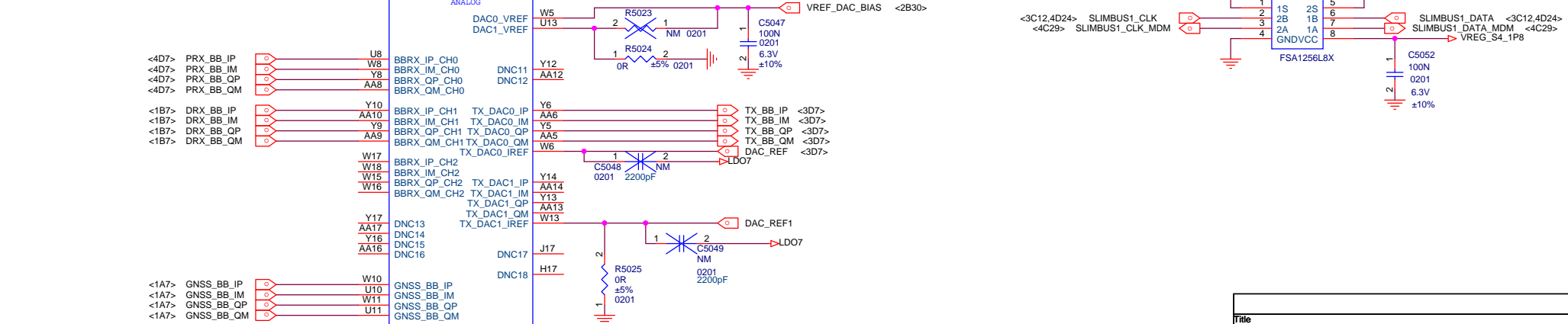


PD's on CODEC and WLAN RESETS are on their respective sheets

MDM9215M

U5000-5

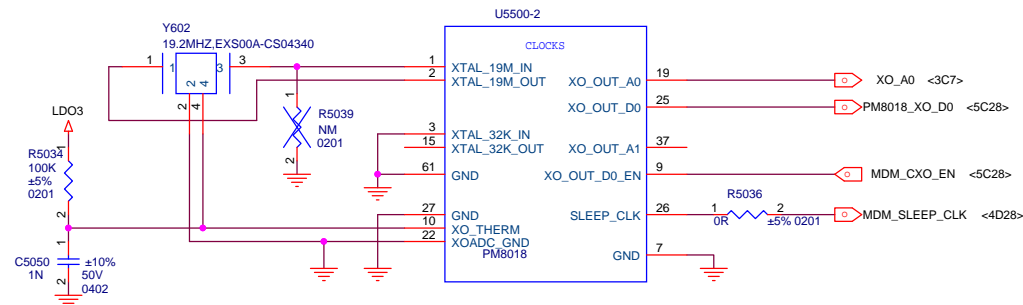
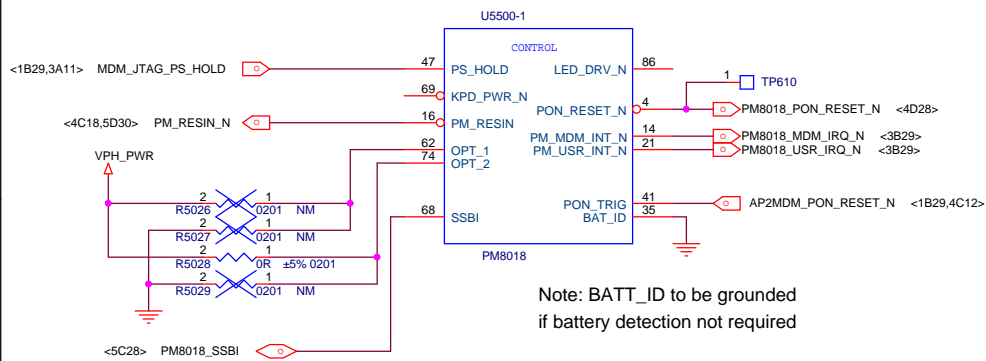
ANALOG



Title		<Title>
Size	Document Number	Rev
A3	<Doc>	P4
Date	Wednesday, September 26, 2012	Sheet 29 of 35

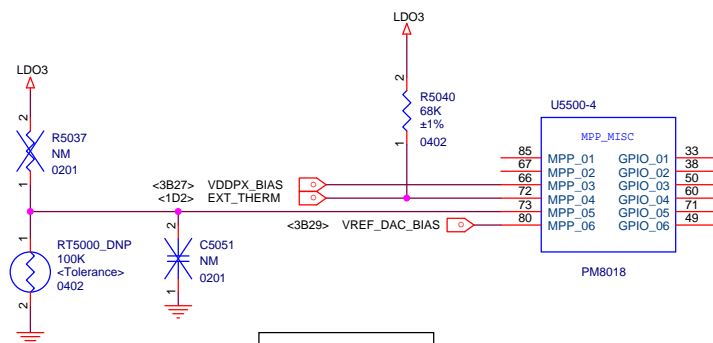
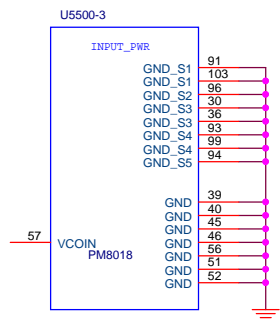
PM8018 : CONTROL

PM8018 : CLOCKS



PM8018 : GPIO AND MPPS

PM8018 : GND

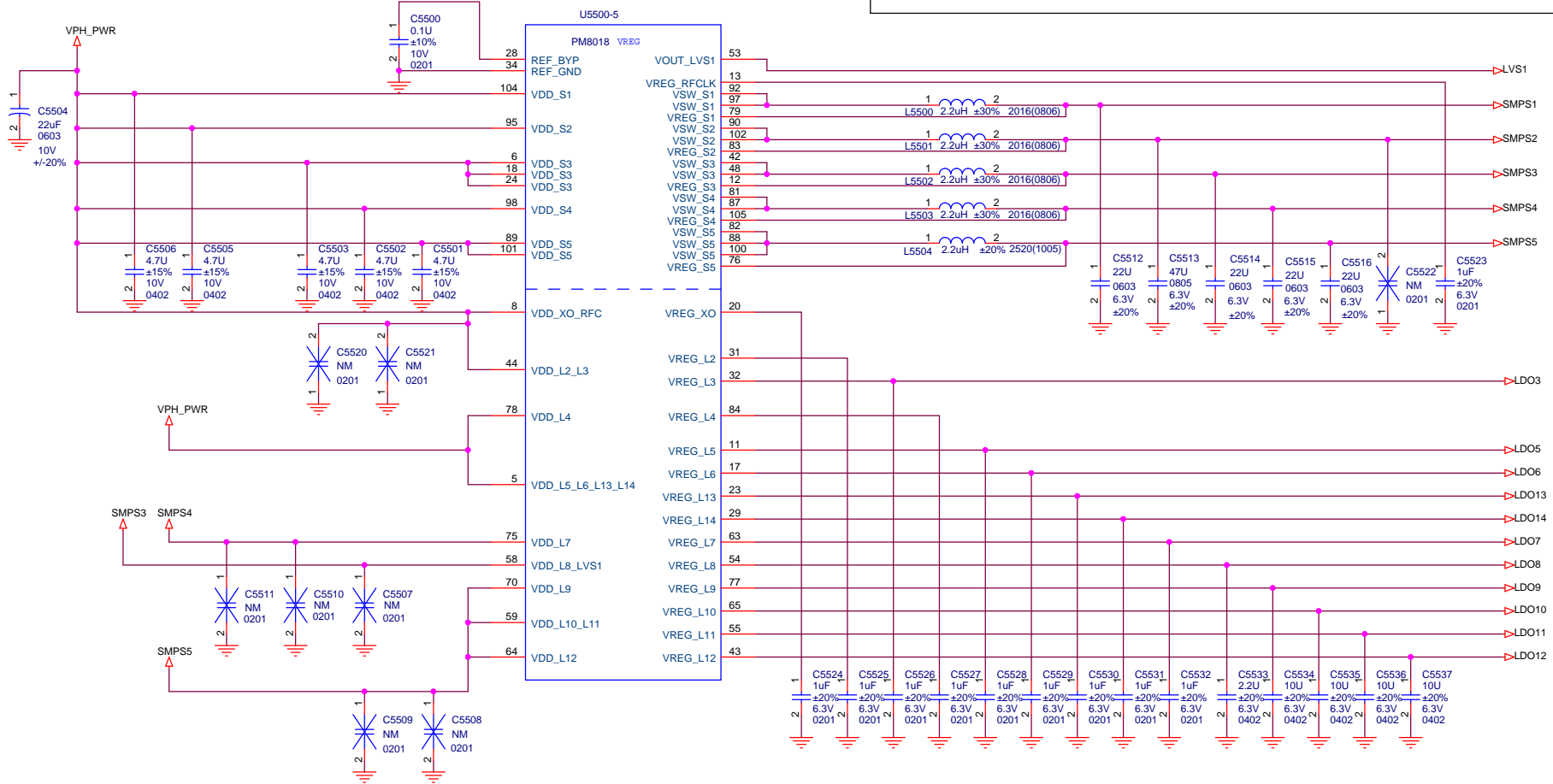


PM MPP/GPIO PADS	
LDO6	1.8/2.85V
LDO5	1.8/2.85V
SMPS3	1.8V
LDO14	2.85V
LDO2	1.8V
LDO4	3.075V
VDD_L4	VBATT

Title	<Title>	
Size	Document Number	Rev
A3	<Doc>	P4
Date:	Wednesday, September 26, 2012	Sheet 30 of 35

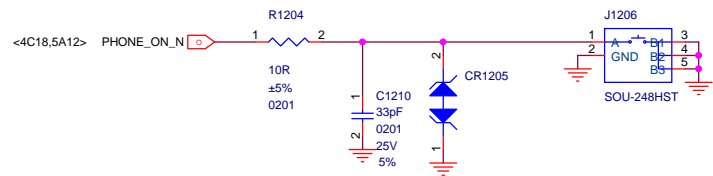
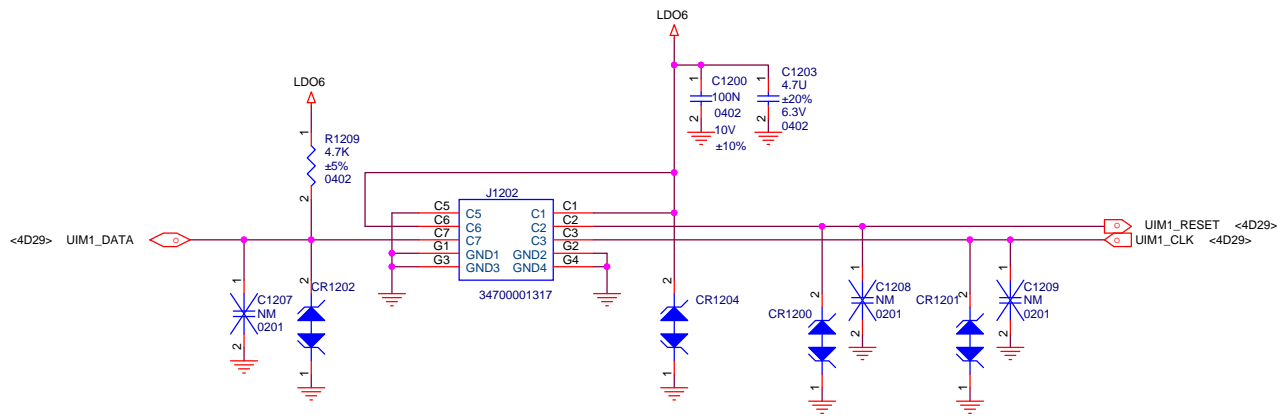
PM8018 REGULATORS

For S1-S4: Primary SMPS Inductor: Cyntec 2016 1.0mm height 2.2uH
 Alternative SMPS Inductor: TOKO 2016 1.2mm height 2.2uH
 For S5: TDK 2520 1.0mm. 2.2uH, TFM252010A or equivalent.



PM8018 : VREGS

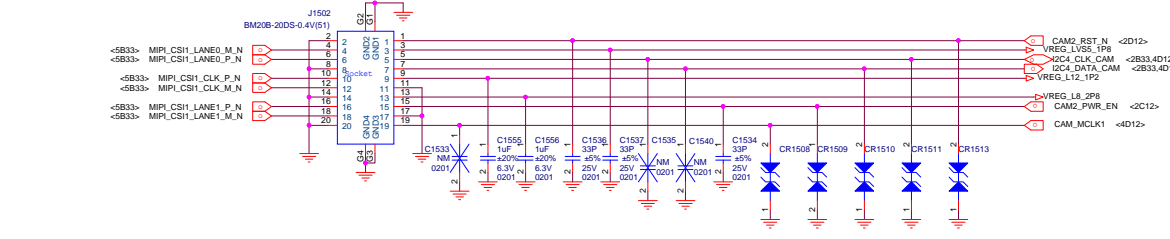
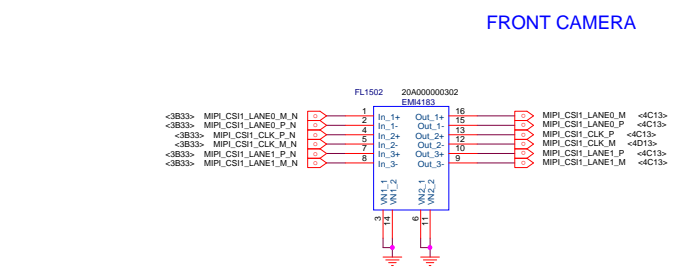
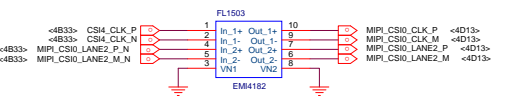
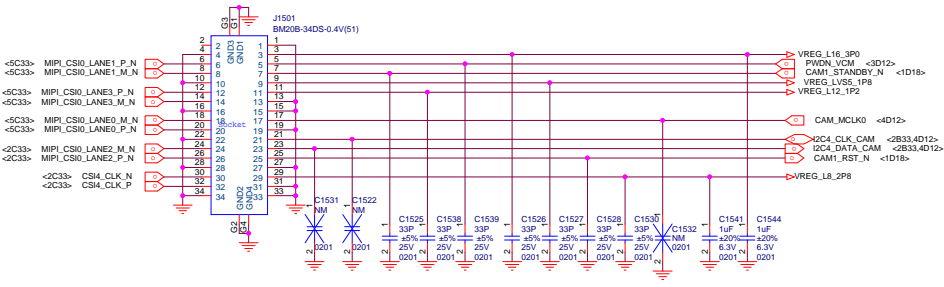
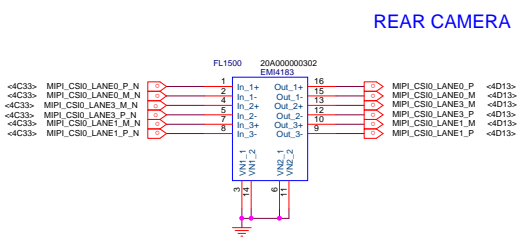
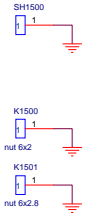
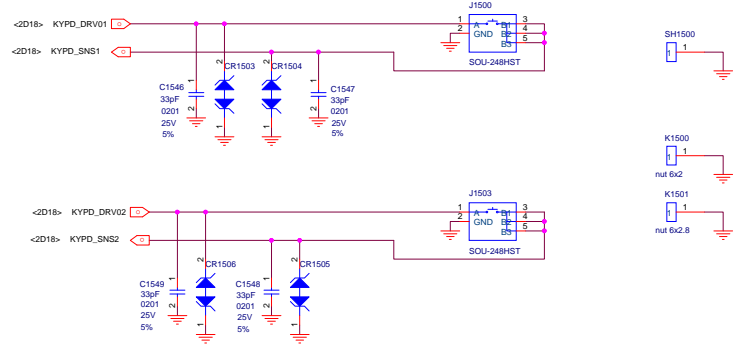
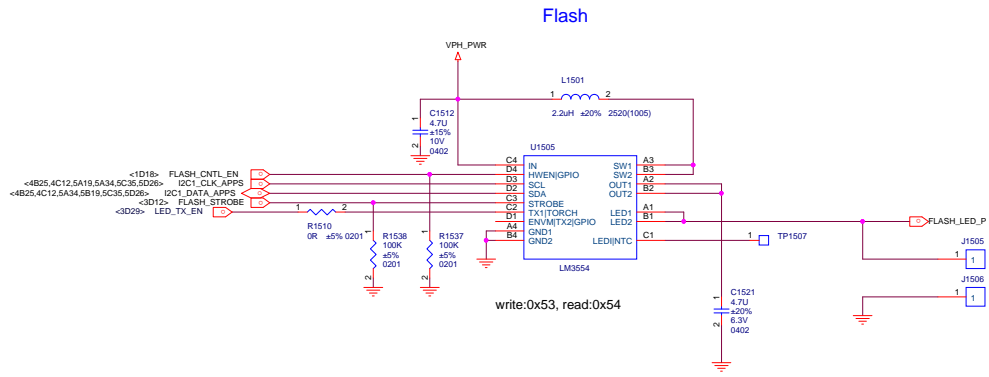
Title		
<Title>		
Size	Document Number	Rev
A3	<Doc>	P4
Date:	Wednesday, September 26, 2012	Sheet 31 of 35



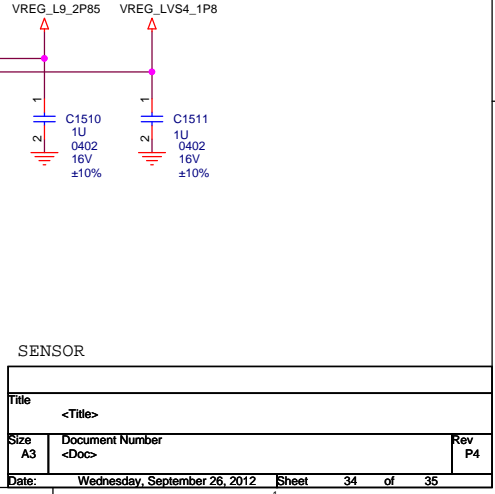
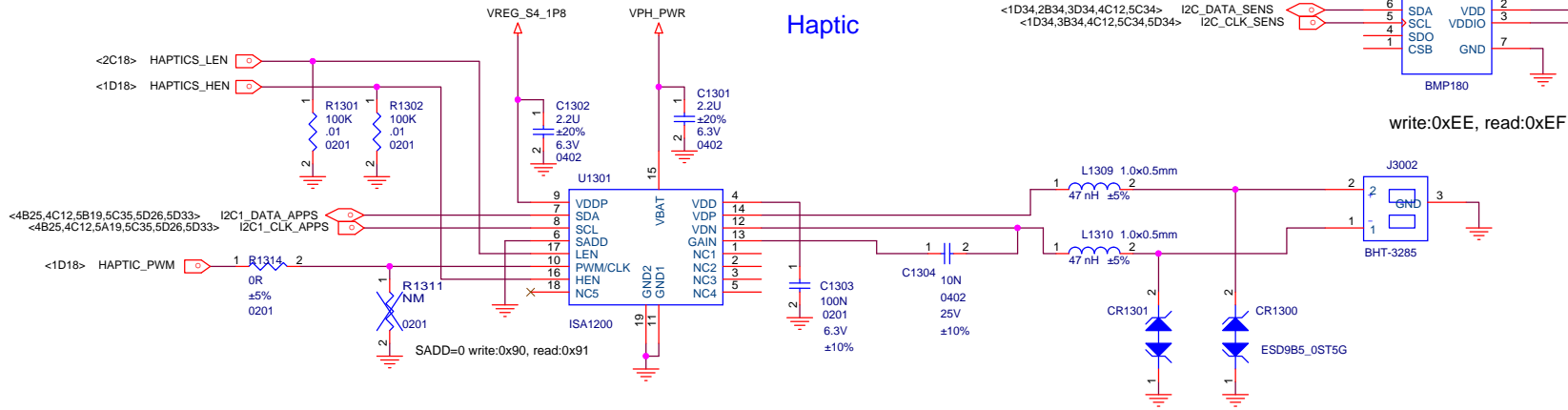
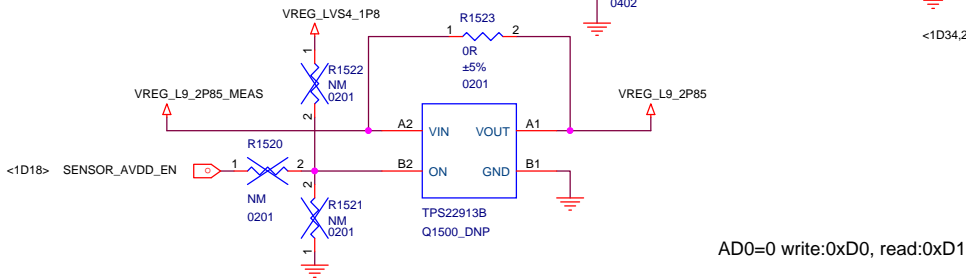
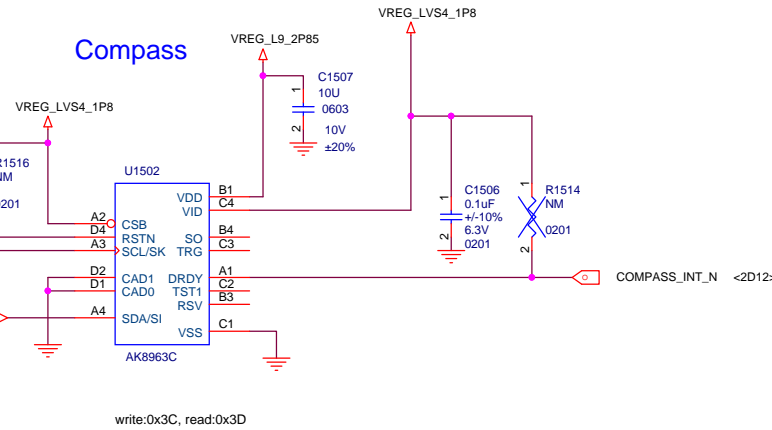
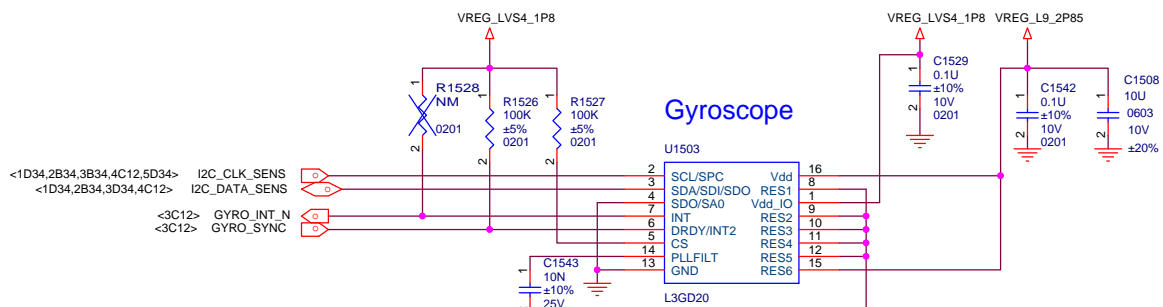
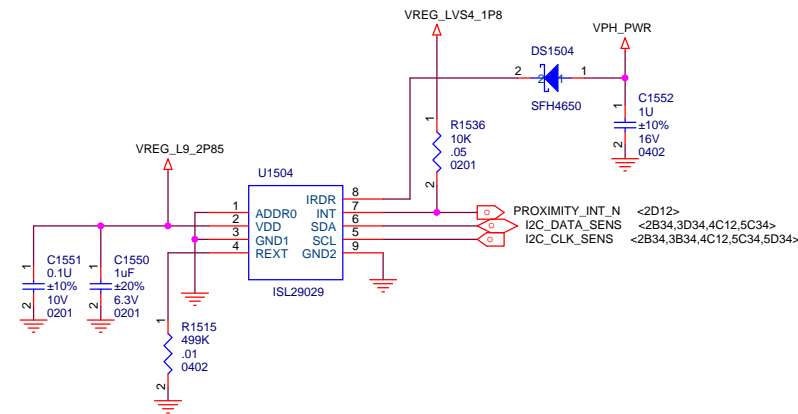
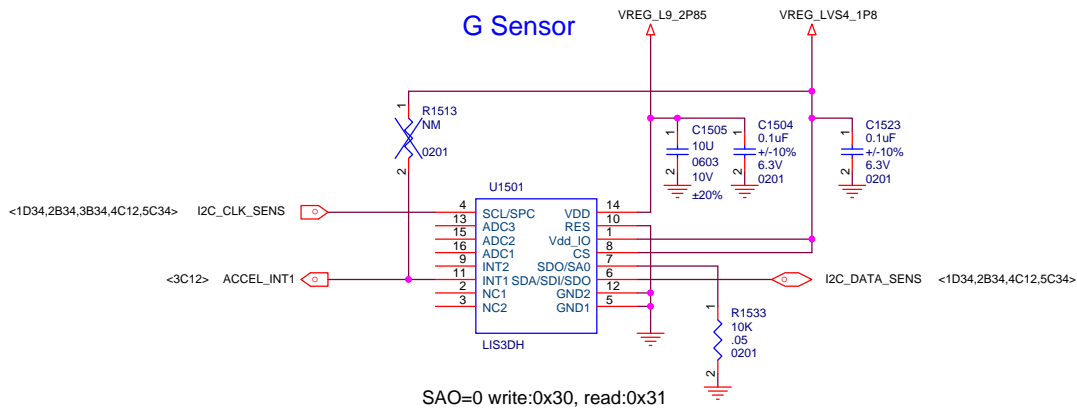
SD&SIM CONNECTOR

XIAO MI

Title			MI-ONE		
Size			A3		
Document Number			SD&SIM CONNECTOR		
Date:			Wednesday, September 26, 2012		
Sheet			32 of 35		
Rev			P4		



CAMERA			
XIAO MI			
File	MI-ONE		
Size	Document Number		Rev
A2	AUDIO		P4
Date:	Wednesday, September 26, 2012	Sheet	33 of 36



SENSOR		
Title	<Title>	
Size	Document Number	Rev
A3	<Doc>	P4
Date:	Wednesday, September 26, 2012	Sheet 34 of 35

