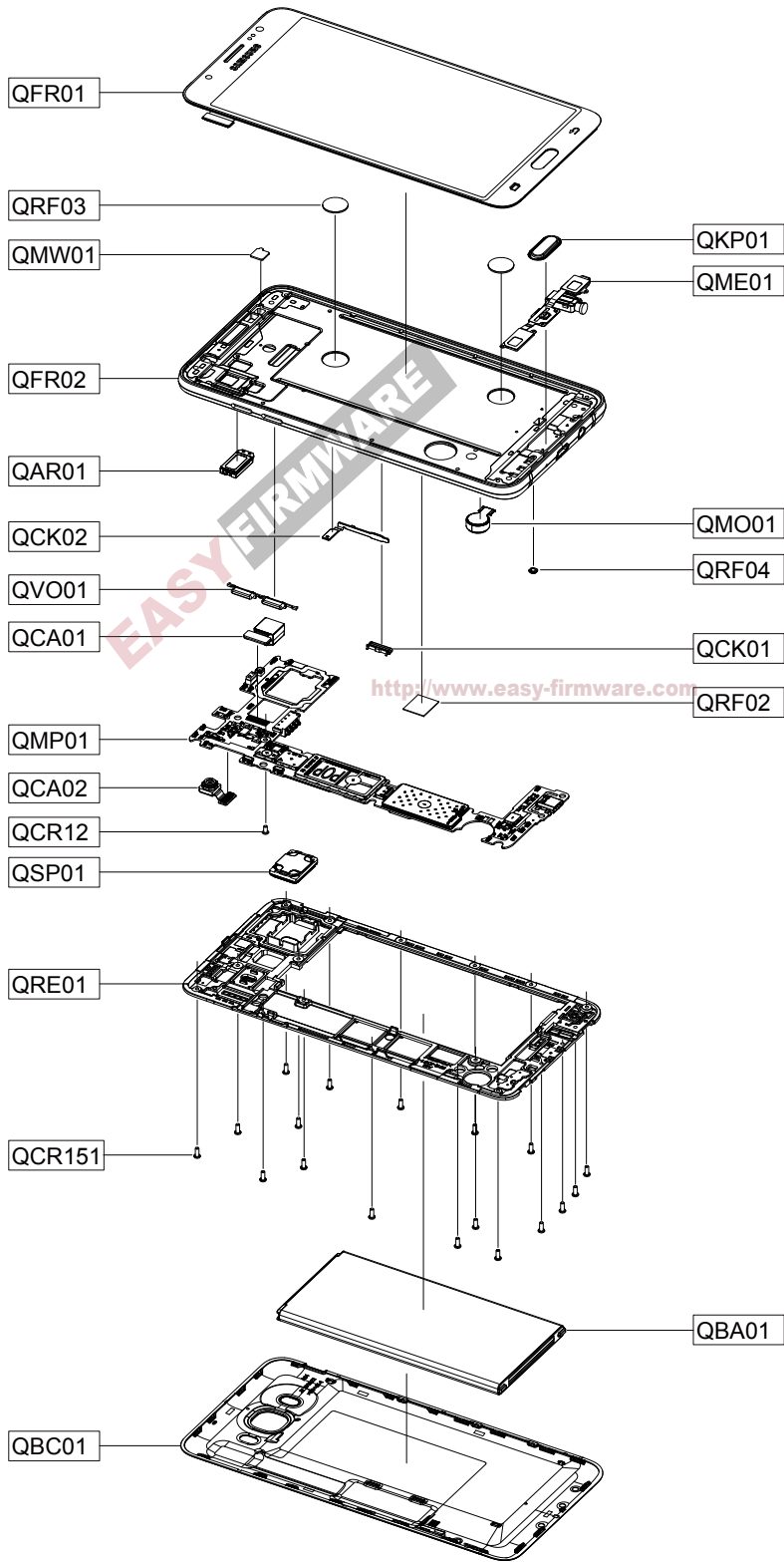


4. Exploded View and Parts List

4-1. Cellular phone Exploded View



4. Exploded View and Parts List

4-2. Cellular phone Parts list

Design LOC	Description	SEC CODE
QMP01	A/S ASSY-PBA MAIN(COMM)SM-J710FN/DS,SVC	GH82-11757A
QCA01	ASSY CAMERA-1/3.06"_13M (SM-J710FN)	GH96-09778A
QCA02	ASSY CAMERA-LSI 1/5" 5M CMOS_SM-A510F	GH96-09573A
QBA01	INNER BATTERY PACK-EB-BJ710CBE,3300MAH	GH43-04599A
QBC01	ASSY COVER-BATT GLOBAL_NON NFC (ZD)	GH98-39699A
QSP01	MICRO SPEAKER	3001-002824
QRE01	ASSY CASE-REAR_GLOBAL	GH98-39387A
QAR01	AUDIO-RECEIVER	3009-001705
QMO01	MOTOR DC-VIBRATION (SM-G600FY)	GH31-00746A
QME01	ASSY MODULE-TOUCH KEY(SM-J7108)	GH96-09606A
QCK02	POWER_KEY FPCB ASSY-SM-J7108	GH96-09675A
QKP01	ASSY KEY-HOME	GH98-39525A
QFR02	ASSY CASE-FRONT UNIT_GLOBAL (GD)	GH98-39495A
QMW01	WINDOW DISPLAY-FLASHB FRONT	GH64-05693A
QVO01	KEY-VOLUME	GH64-05696A
QCK01	KEY-POWER CH	GH64-05740A
QRF02	TIM PAD-AP	GH67-03128A
QRF03	RUBBER-DUMMY	GH67-03131A
QRF04	ASSY RUBBER-MIC	GH98-37607A
QCR151	SCREW-MACHINE	6001-003226
QFR01	SVC LCD ASSY-OCTA,(E/GOLD)	GH97-18855A
QCR12	SCREW-MACHINE	6001-001530
QRT01	A/S-TAPE OCTA-TSP SVC	GH81-13799A
QRT02	A/S-TOUCH KEY AS TAPE1	GH81-13792A
QRT03	CONDUCTIVE GASKET-OCTA CU SHEET	GH02-12504A
QRT04	A/S-OCTA COVER PANEL TAPE	GH81-13809A
QRT05	A/S-TOUCH KEY AS TAPE8	GH81-13797A