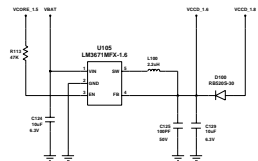
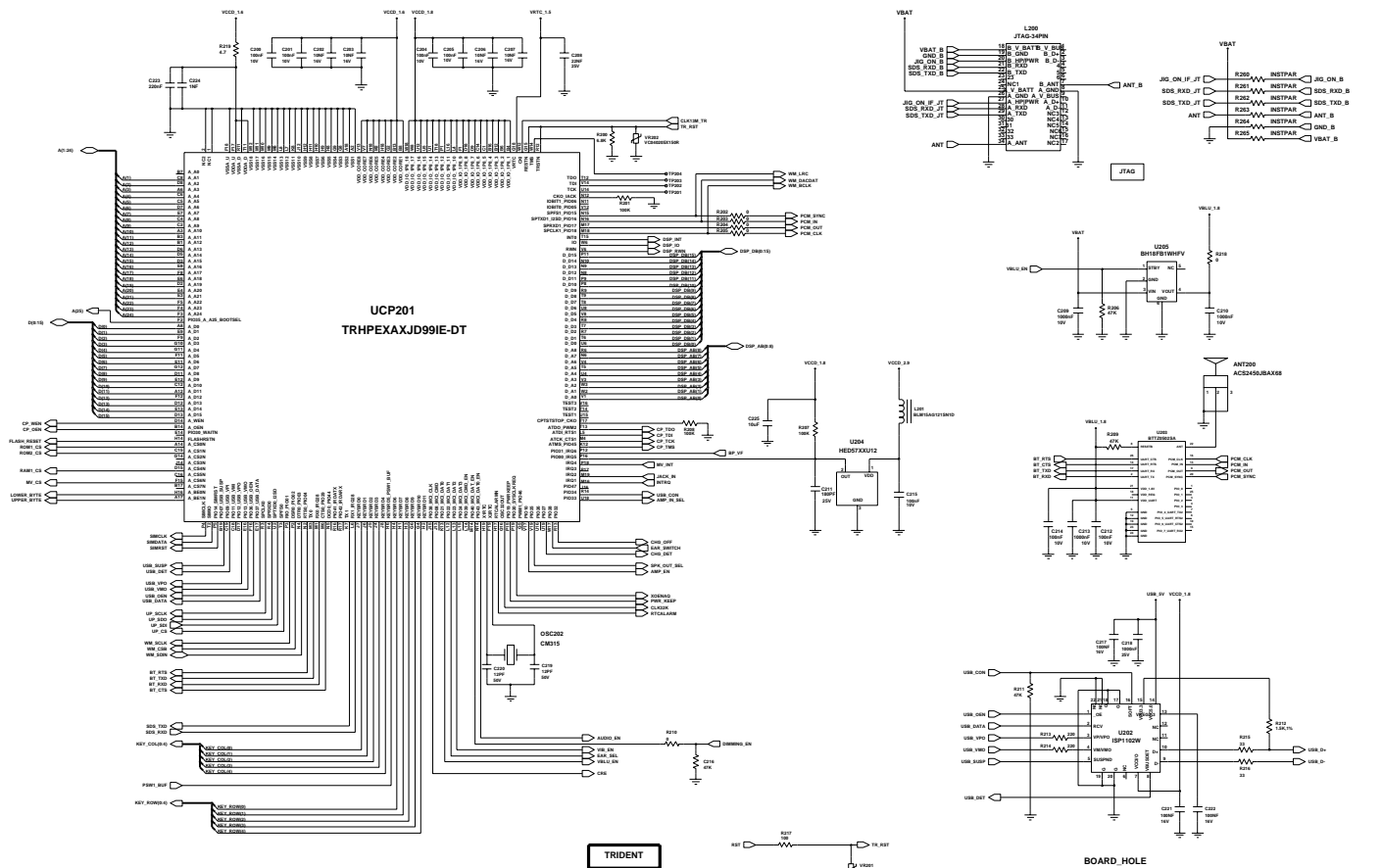


**CHARGER**





UCP201  
TRHPEXAXJD91E-DT

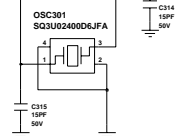
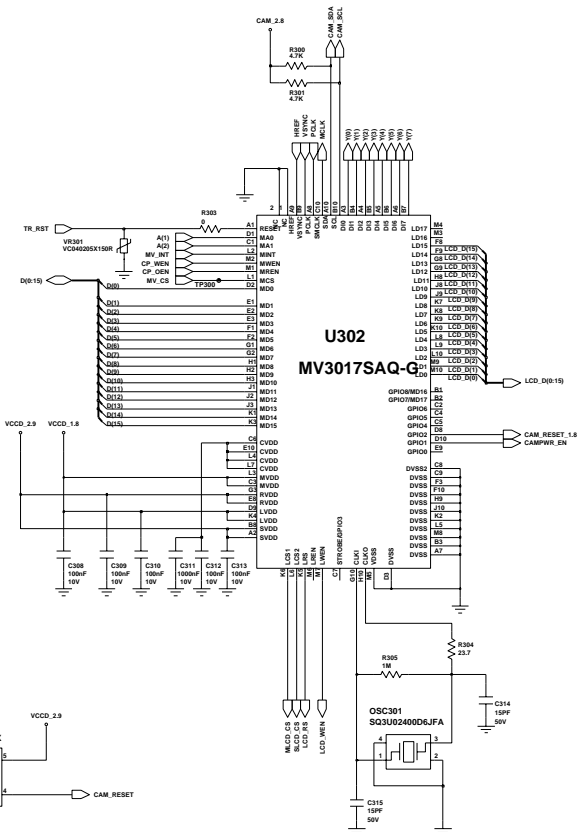
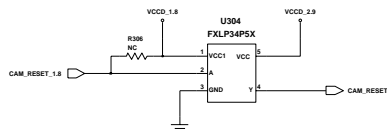
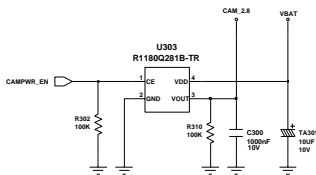
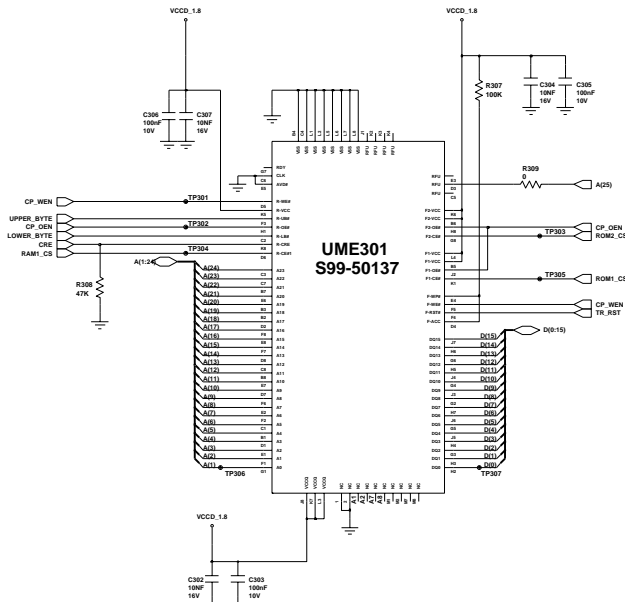
TRIDENT

BOARD HOLE

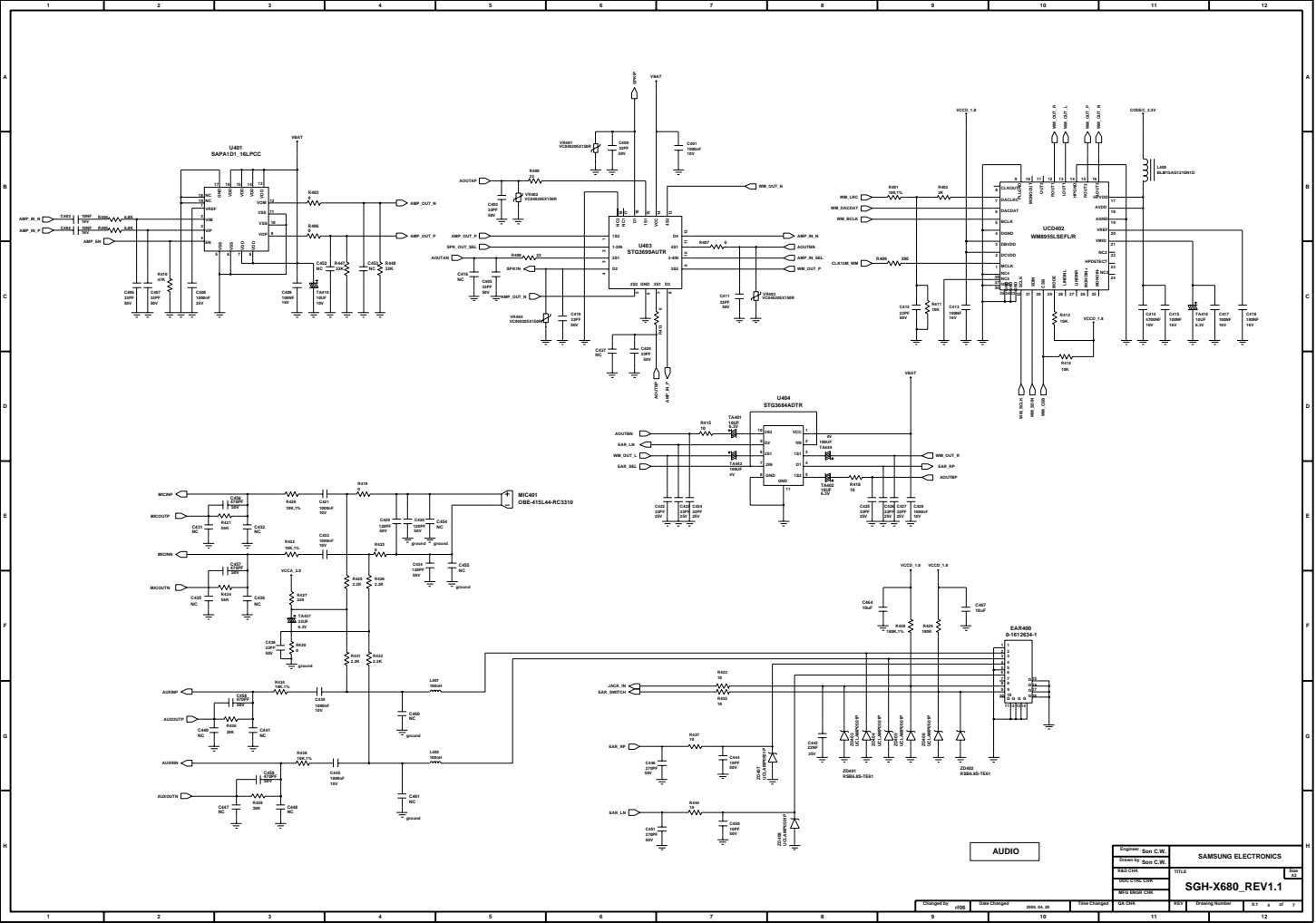


Engineer: Alan C.W.	DATE:	SAMSUNG ELECTRONICS
Checked by: Alan C.W.	REV:	
DESIGNER:	DATE:	
APPROVED:	DATE:	
SGH-X680_REV1.1		

MEMORY

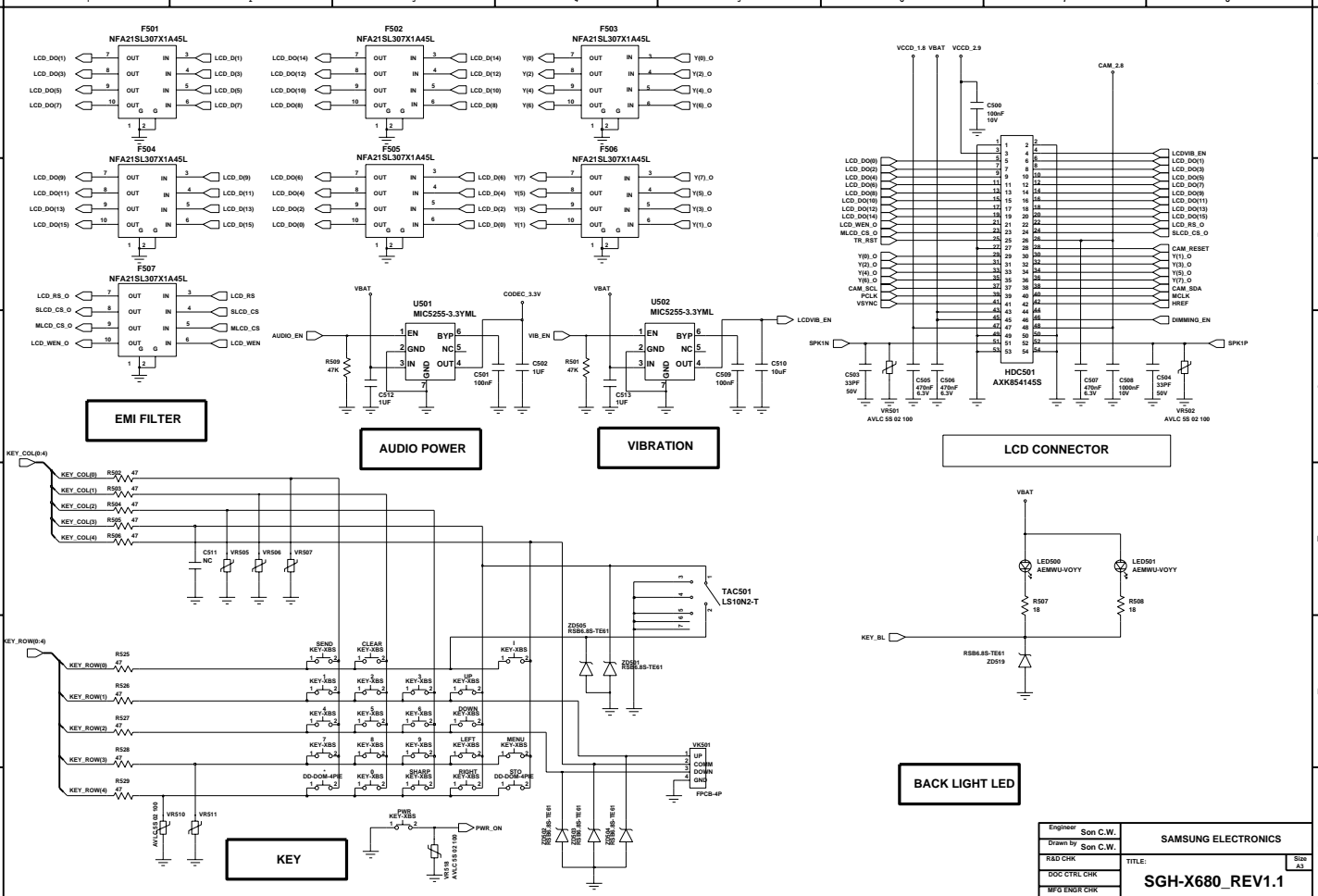


Engineer	Son C.W.	SAMSUNG ELECTRONICS	Site A1
Drawn by	Son C.W.		
R&D CHK			
DSC CTRL CHK			
MFG INSP CHK		<b>SGH-X680_REV1.1</b>	



AUDIO

Engineer: Sany C.W.	DATE:	SAMSUNG ELECTRONICS
Drawn by: Sany C.W.	DATE:	
Checked by:	DATE:	
Approved by:	DATE:	
Part No. <b>SGH-X680_REV1.1</b>		Rev. 1.1



**EMI FILTER**

**AUDIO POWER**

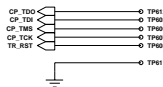
**VIBRATION**

**LCD CONNECTOR**

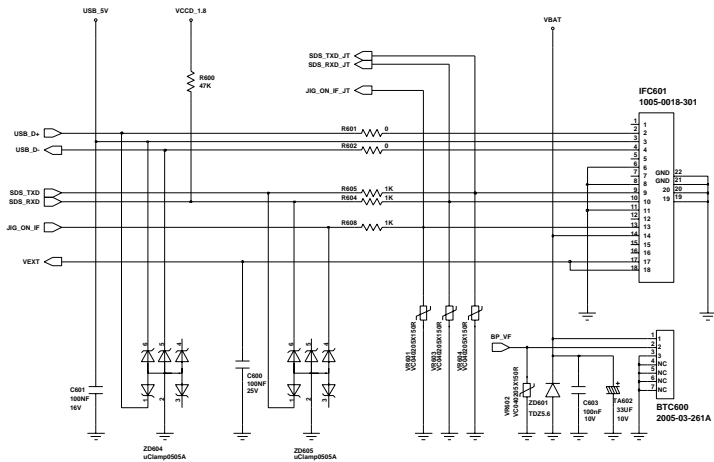
**BACK LIGHT LED**

**KEY**

Engineer	Son C.W.	<b>SAMSUNG ELECTRONICS</b> TITLE: <b>SGH-X680_REV1.1</b>	Size
Drawn by	Son C.W.		A3
RDG CHK			
DDC CTRL CHK			
MFG ENGR CHK			



JTAG CON



I/F CONNECTOR

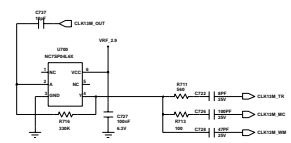
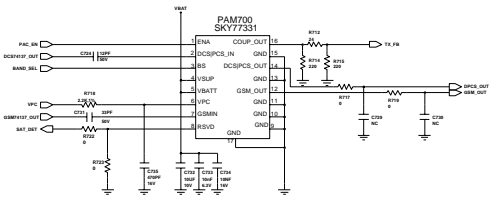
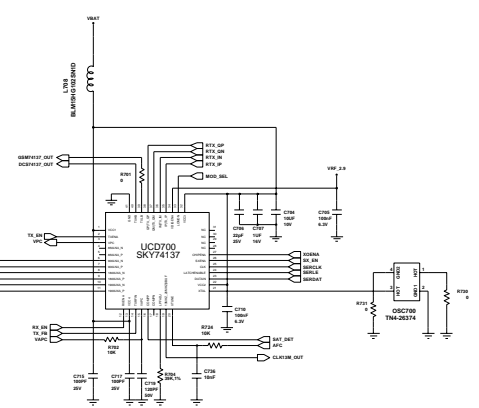
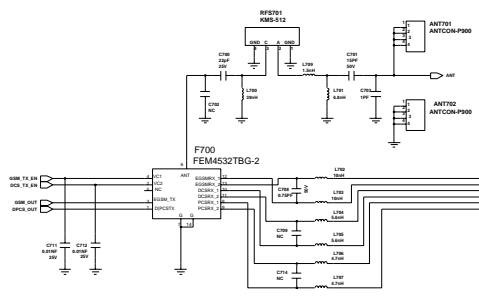
Engineer Son C.W.  
 Drawn by Son C.W.  
 RAD CHK  
 DDC CTRL CHK  
 MFG ENDR CHK

SAMSUNG ELECTRONICS

TITLE:

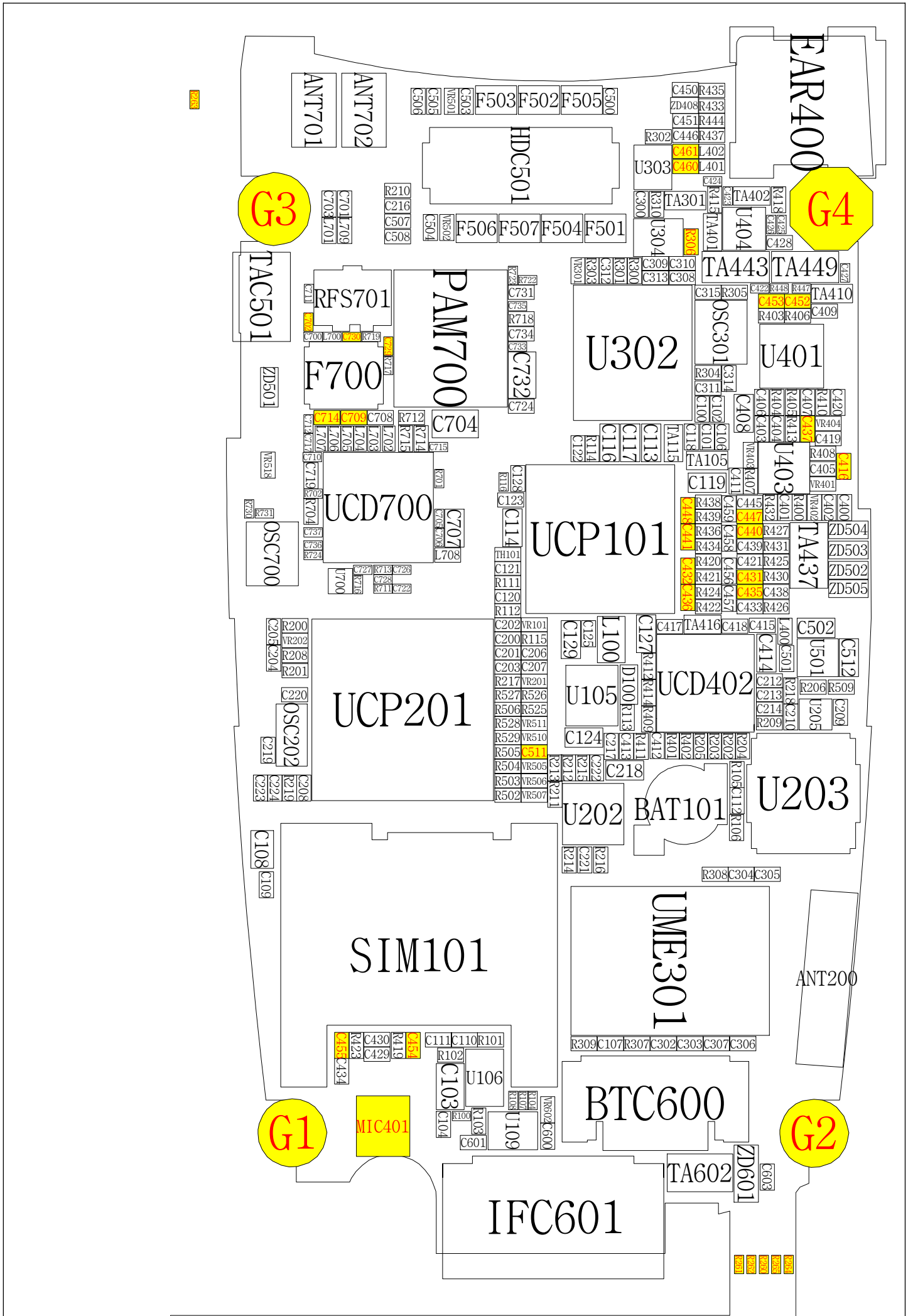
Size  
 A3

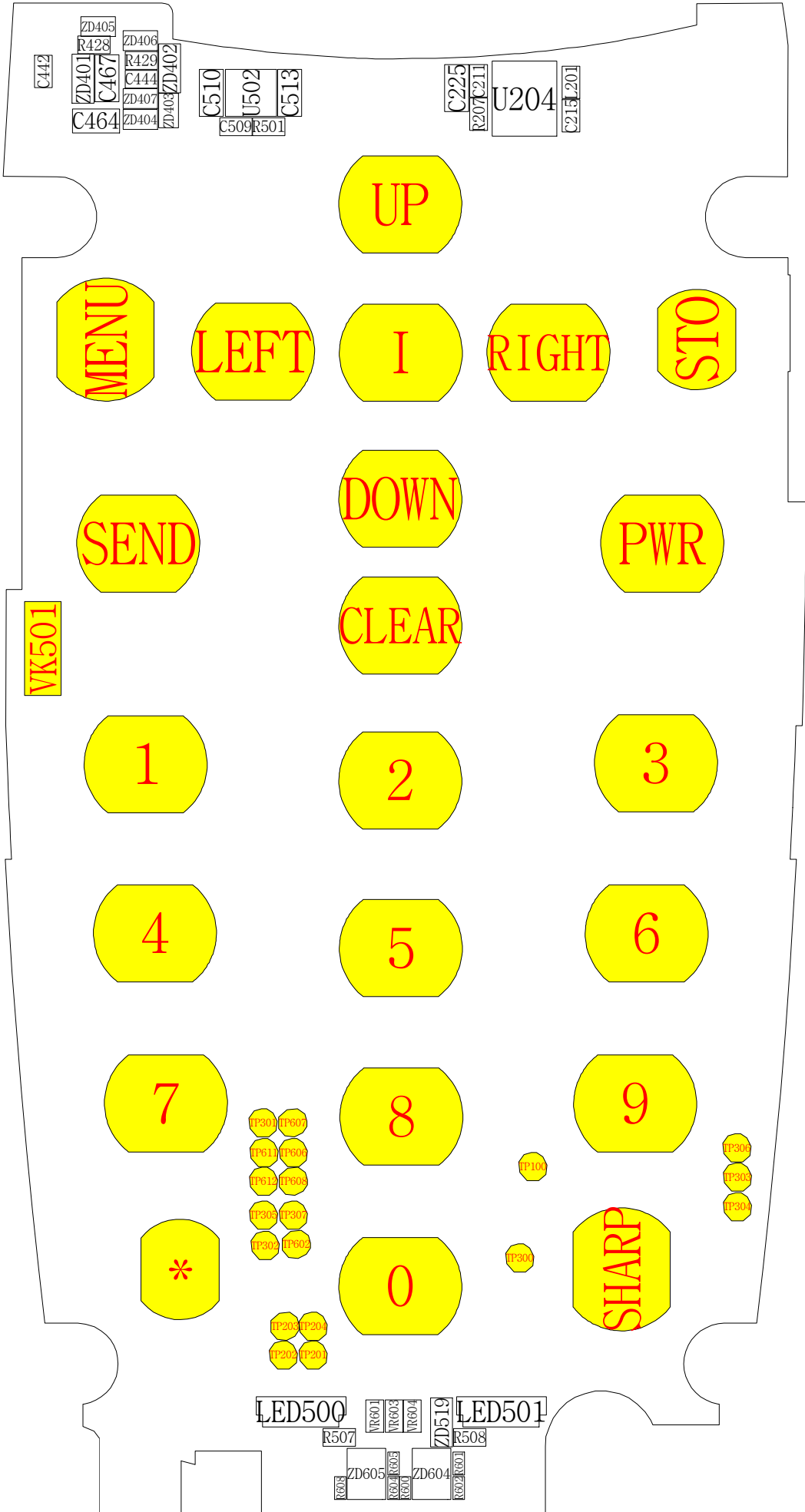
SGH-X680\_REV1.1



RF PART

Engineer	Shin C.M.	SAMSUNG ELECTRONICS
Checked by	Shin C.M.	
Approved by	Shin C.M.	
Part No.	SGH-X680_REV1.1	
Doc No.	REV	Drawing Revision
Sheet	1 of 1	





VK501

UP

MENU

LEFT

I

RIGHT

STO

SEND

DOWN

PWR

CLEAR

1

2

3

4

5

6

7

8

9

\*

0

SHARP

LED500

LED501