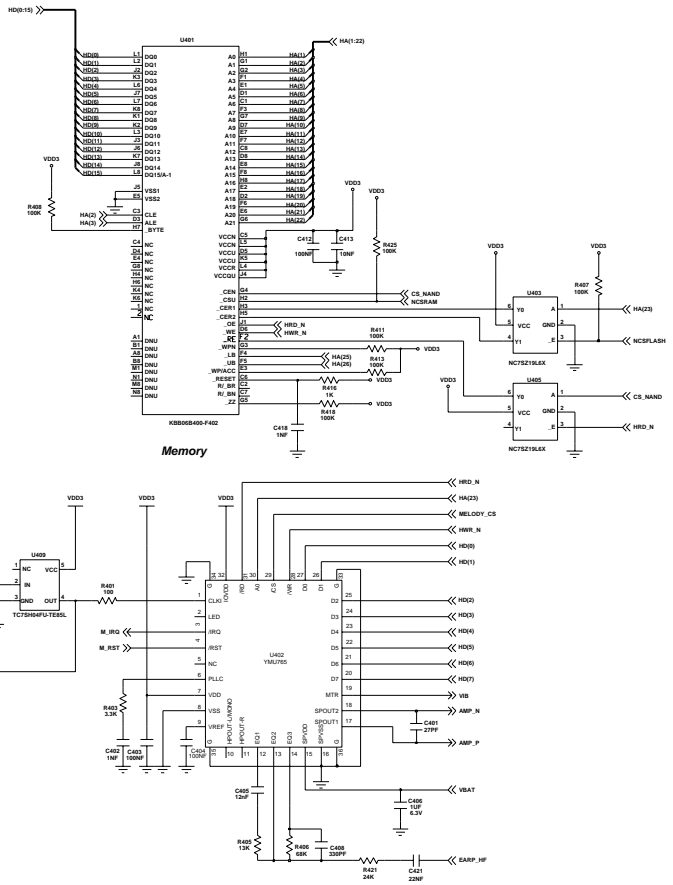
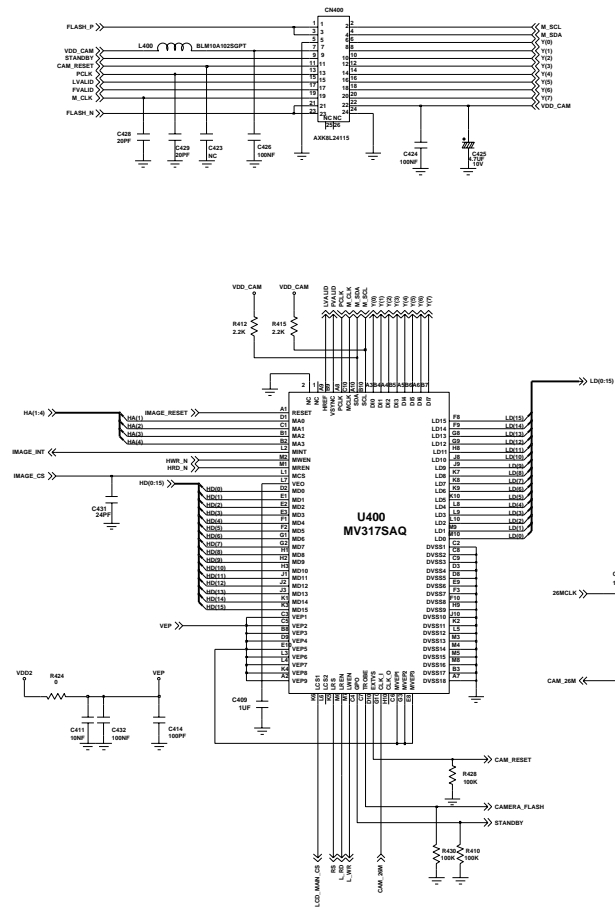


	HAD0	CS_N3
MELODY_CS	1	0
IMAGE_CS	0	0

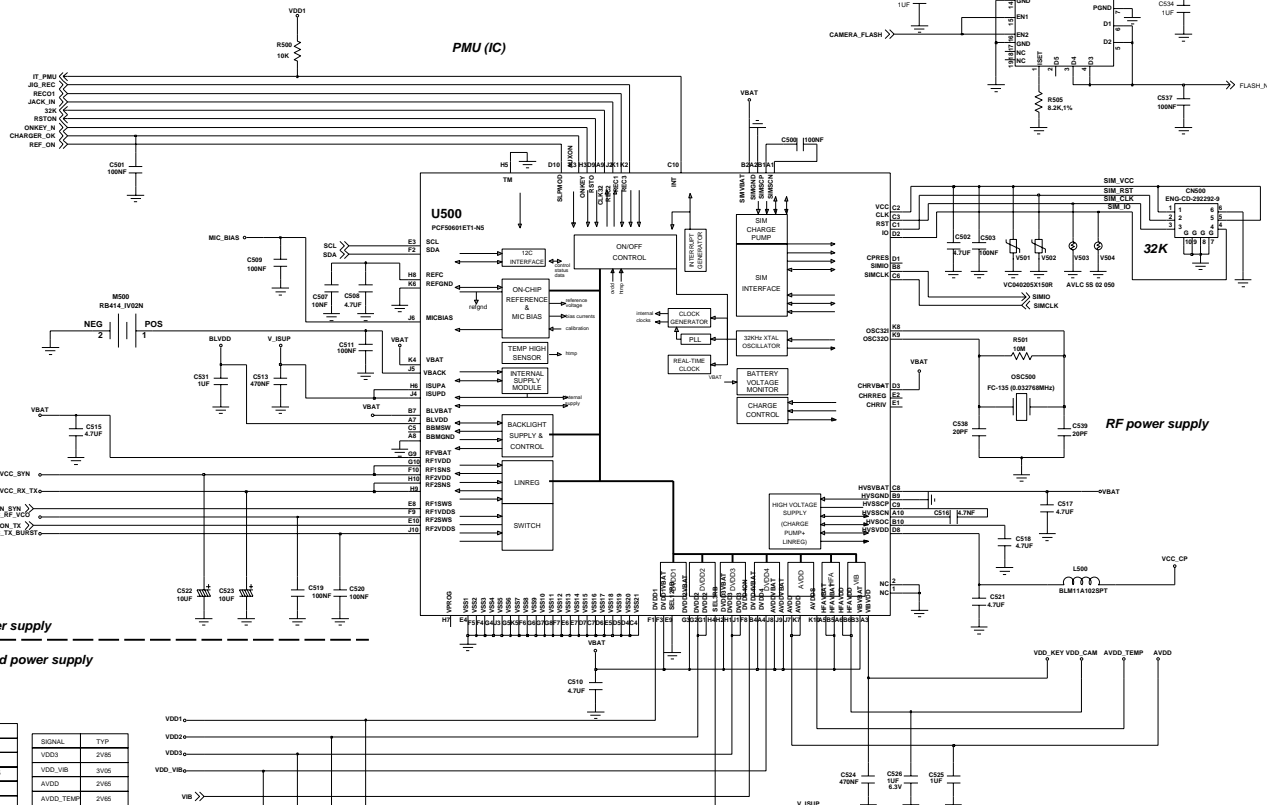
N_C1 N_C2 N_C3 N_C4 N_C5 N_C6 N_C7 N_C8 N_C9 N_C10 N_C11 N_C12 N_C13 N_C14 N_C15 N_C16 N_C17 N_C18 N_C19 N_C20 N_C21 N_C22 N_C23 N_C24 N_C25 N_C26 N_C27 N_C28 N_C29 N_C30 N_C31 N_C32 N_C33 N_C34 N_C35 N_C36 N_C37 N_C38 N_C39 N_C40 N_C41 N_C42 N_C43 N_C44 N_C45 N_C46 N_C47 N_C48 N_C49 N_C50 N_C51 N_C52 N_C53 N_C54 N_C55 N_C56 N_C57 N_C58 N_C59 N_C60 N_C61 N_C62 N_C63 N_C64 N_C65 N_C66 N_C67 N_C68 N_C69 N_C70 N_C71 N_C72 N_C73 N_C74 N_C75 N_C76 N_C77 N_C78 N_C79 N_C80 N_C81 N_C82 N_C83 N_C84 N_C85 N_C86 N_C87 N_C88 N_C89 N_C90 N_C91 N_C92 N_C93 N_C94 N_C95 N_C96 N_C97 N_C98 N_C99 N_C100



MEMORY IC

Memory Schematic

Rev	Description/Revision	Date
A3	SAMSUNG/SGH-MN100/MAIN/B/V	Rev2.6
2004.09.06		Sheet 4 of 8

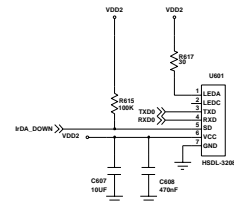
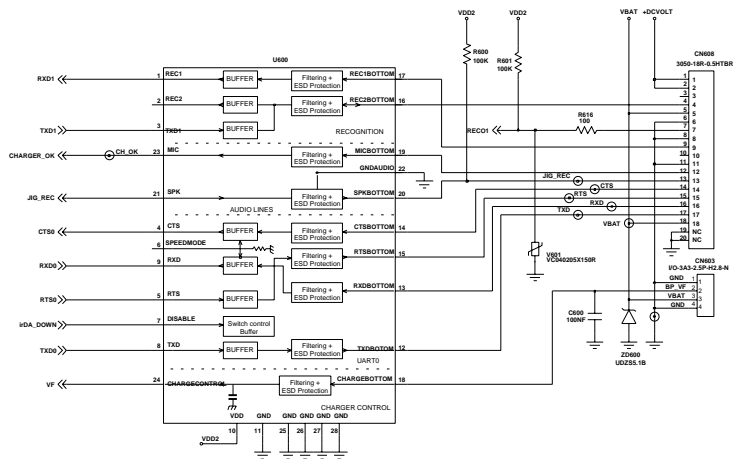


RF power supply

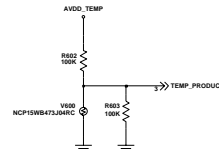
Baseband power supply

SIGNAL	TYP	SIGNAL	TYP
MIC_BIAS	2V1	VDD3	2V18
V_IBUP	2V7	VDD_VIB	3V05
BL_VDD	3V05	AVDD	2V85
VCC_SYN	2V7	AVDD_TEMP	2V85
VCC_RX_TX	2V7	VDD_CAM	2V85
VCC_RF_VDD	2V7	VDD_KEY	2V85
VCC_RX_SUBST	2V7	VCC_CP	4V
VDD1	1V75		
VDD0	2V85	SMVDD	3V
			5V

Digital External Interface



IrDA

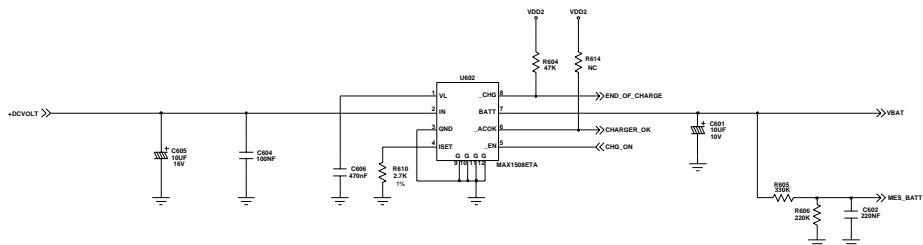


THERMISTER

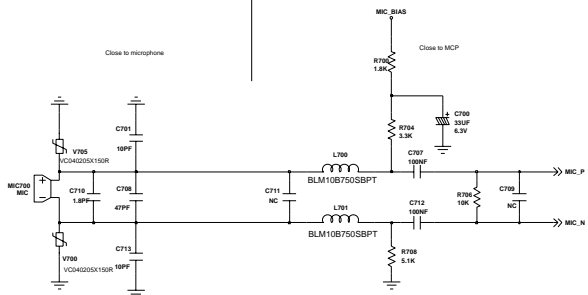


PCB_HOLE

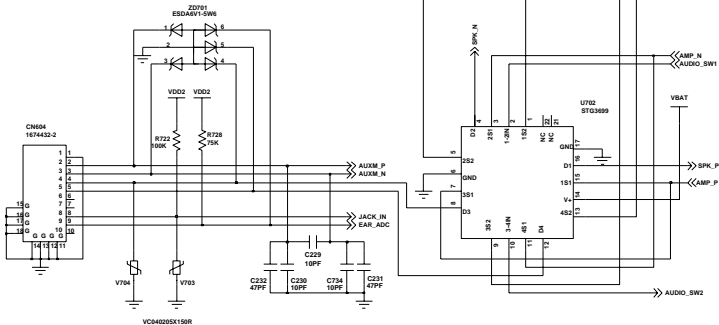
Charge of Battery



Title			
IF Connector & Charging Schematic			
Size	Docuement Number	Rev	
A1	SAMSUNG/SGH-MINI/MAIN/B.ER/F & CHARGING	Rev2.6	
Date:	2004.09.06	Sheet	6 of 8

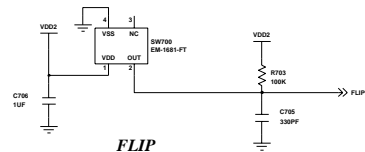


MICROPHONE

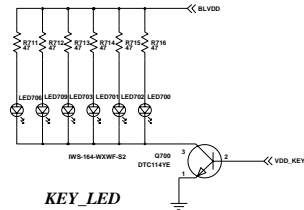


EARPIECE

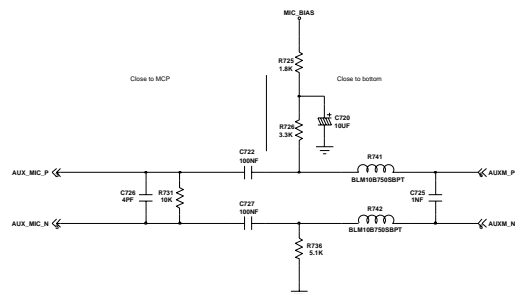
SW1	SW2	
L	L	MAIN-REC
H	H	MAIN-SPK
H	L	EAR-REC
L	H	EAR-SPK
L	L	EXT-SPK



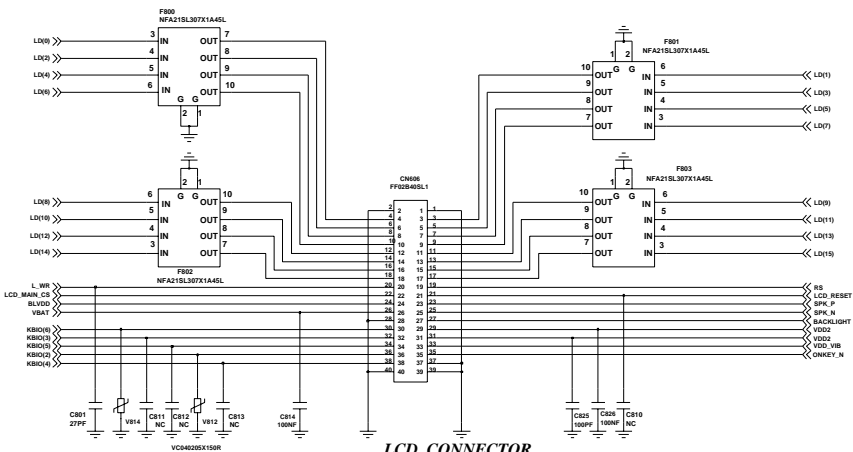
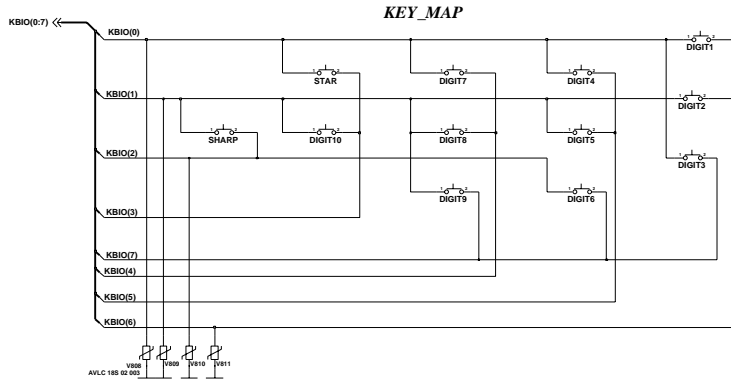
FLIP



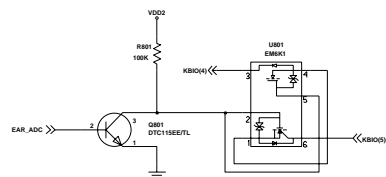
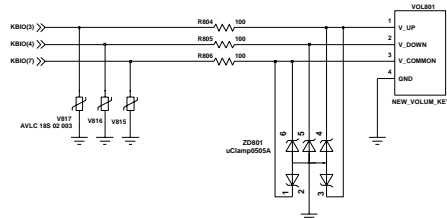
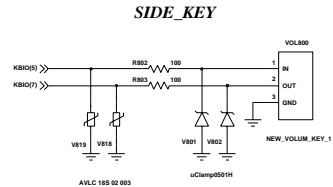
KEY_LED



AUDIO_EXTERNAL_INTERFACE



LCD_CONNECTOR



EARPHONE_SWITCH