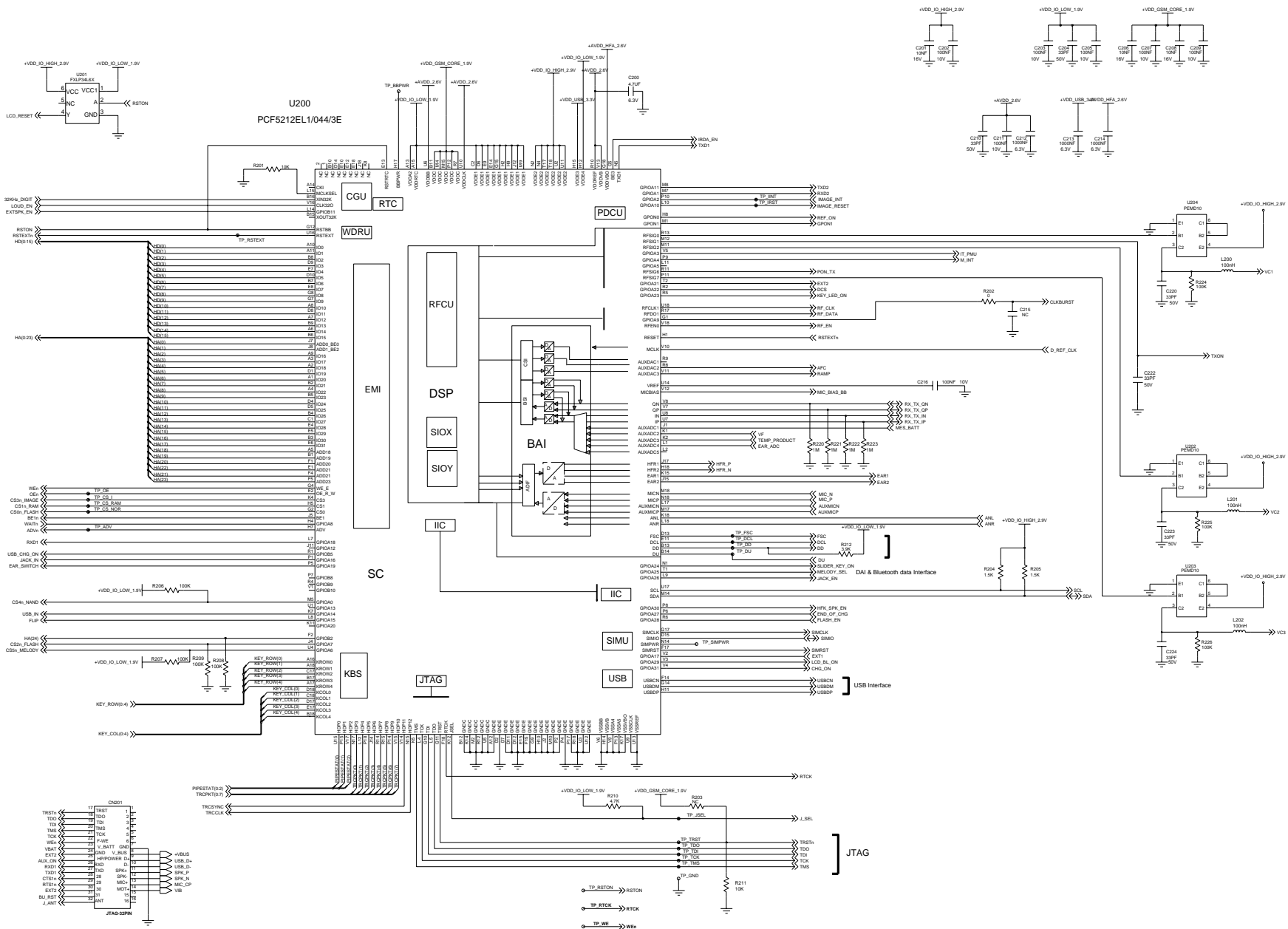


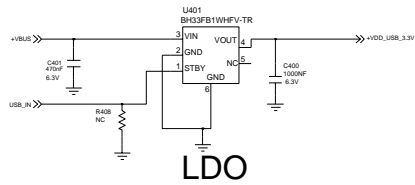
	VC1	VC2	VC3
Tx(GSM900)	H	L	L
Tx(DCS1800/1900)	L	H	L/H
Rx(GSM900)	L	L	L
Rx(DCS1800)	L	L	L
Rx(PCS1900)	L	L	H



# J-TAG 32 PINS

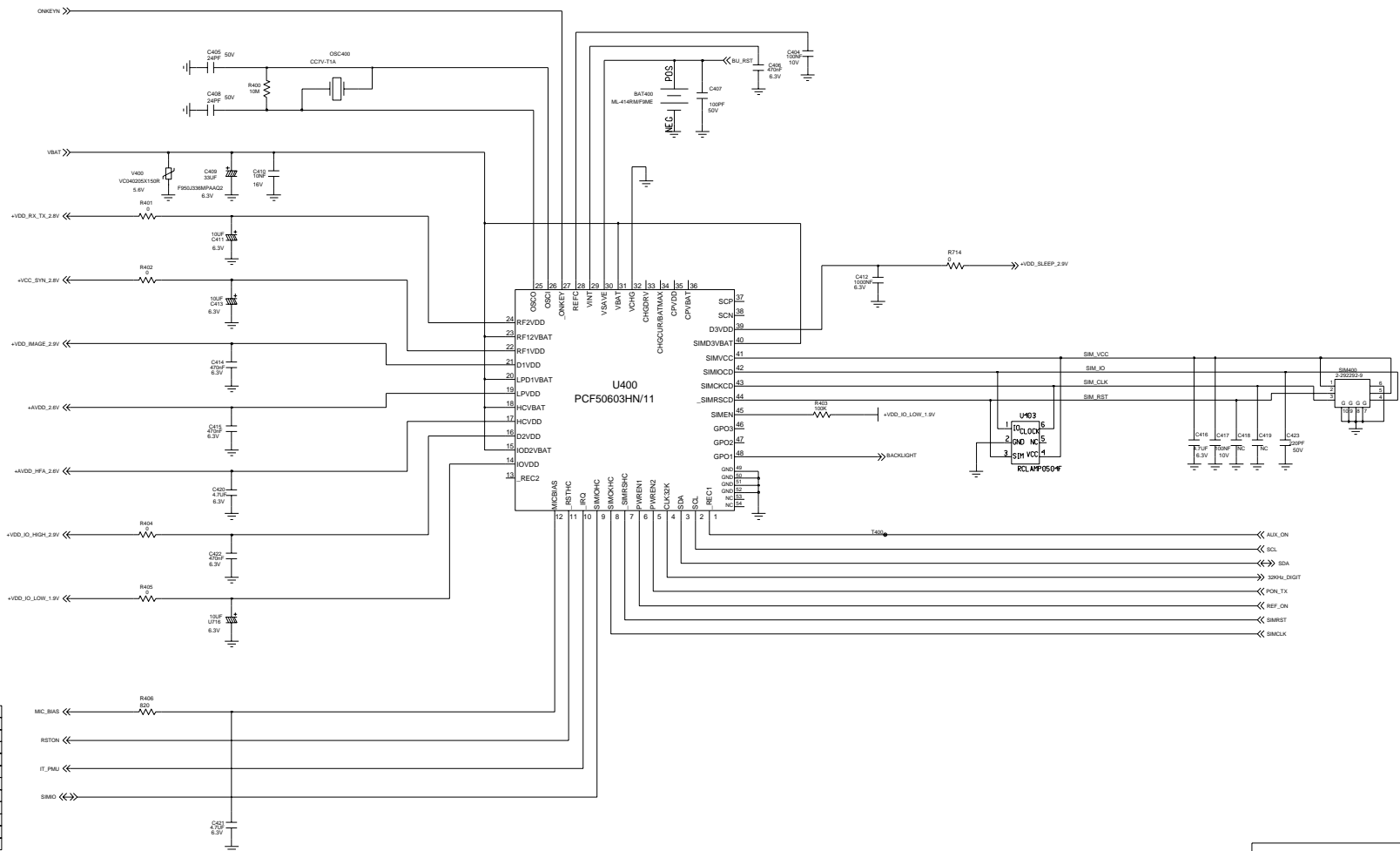
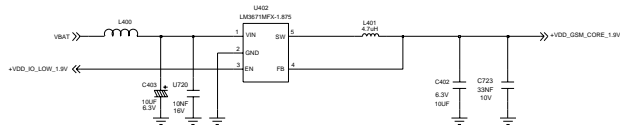
- TP\_RSTON → RSTON
- TP\_RSTCK → RSTCK
- TP\_WE → WE#





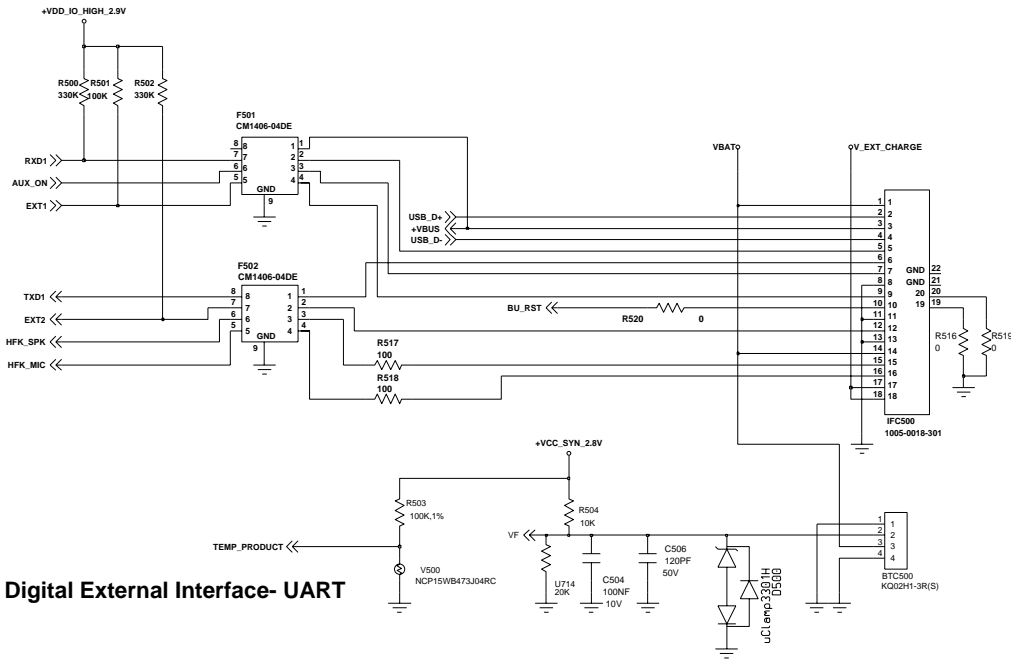
LDO

### DC/DC Down Converter(1.8Volt)



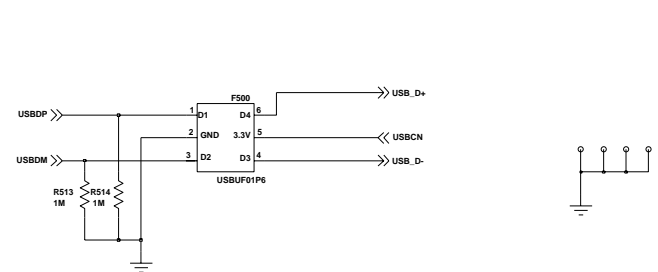
VDD_IO_HIGH	2.8V
VDD_IO_LOW	1.9V
VDD_VIB	2.8V
VDD_IMAGE	2.8V
AVDD	2.6V
AVDD_HFA	2.8V
VCC_RX_TX	2.7V
VCC_BTN	2.7V
VDD_GSM_CORE	DDDC-1.875V
BT NOT USE	REF VHW
VDD_VIB_2.8	3.3V LDO
VDD_4V	HW USE

VDD_SLEEP	2.5V
MC_BIAS	2.1V



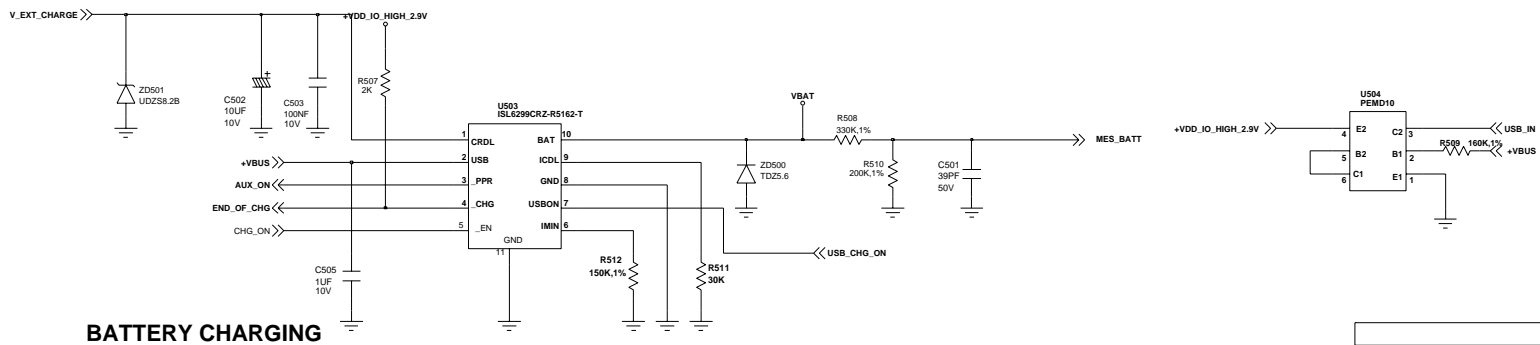
Digital External Interface- UART

THERMISTER & VF



Digital External Interface - USB

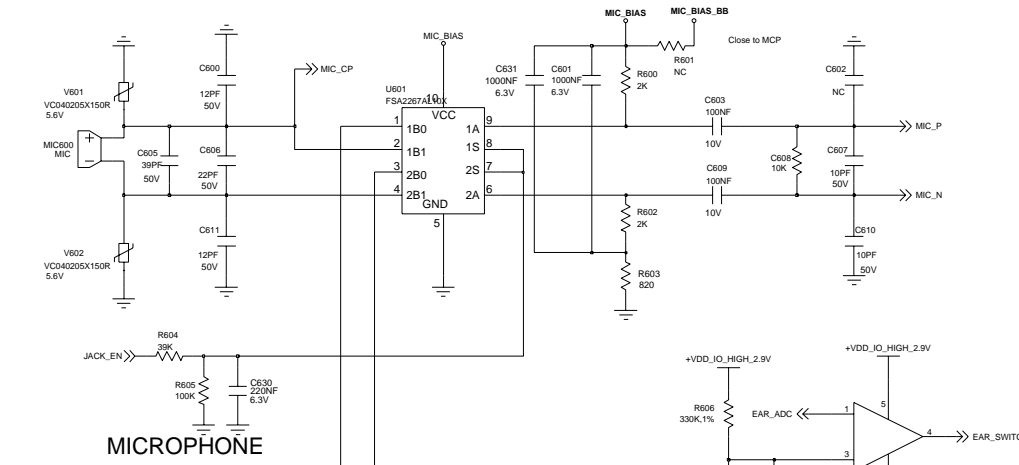
PCB\_HOLE



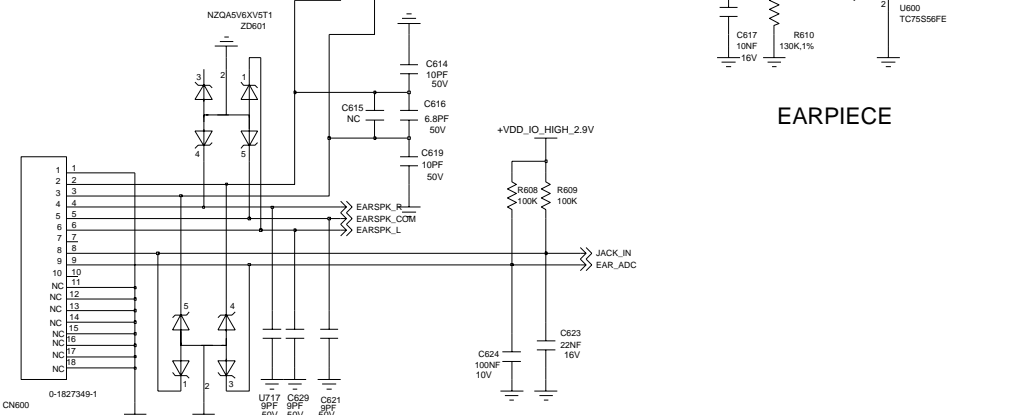
BATTERY CHARGING

Title		
IF Connector & Charging Schematic		
Size	Document Number	Rev 3.0
A3	SAMSUNG/SGH-E350	
Date:	2005.05.25	Sheet 5 of 7

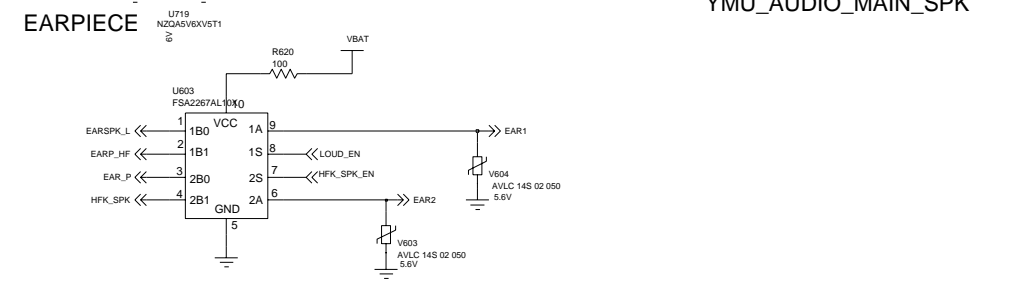
Close to microphone



**MICROPHONE**

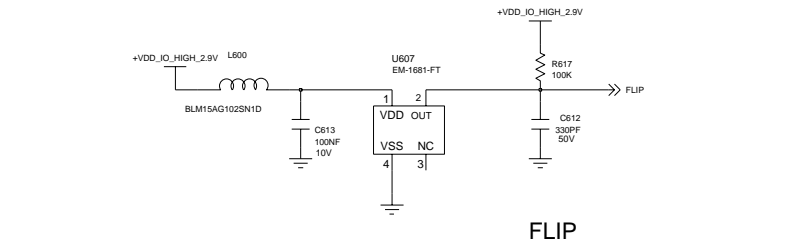


**EARPIECE**

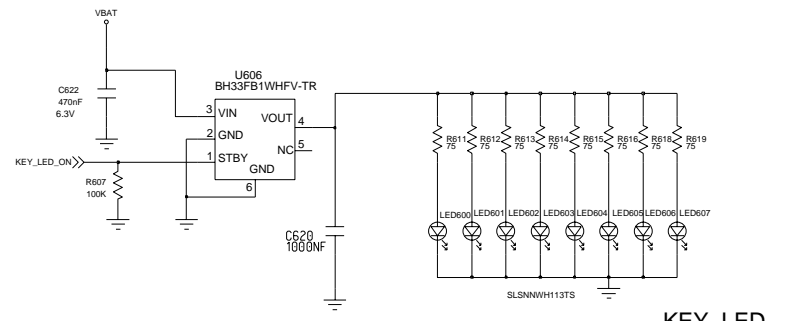


**YMU\_AUDIO\_MAIN\_SPK**

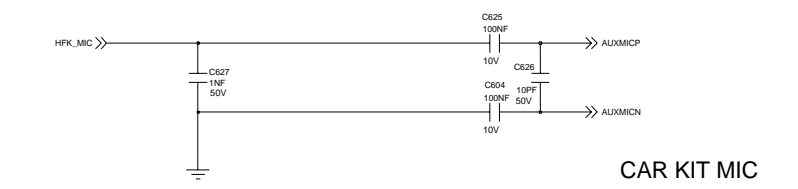
**YMU\_AUDIO\_EAR\_SPK**



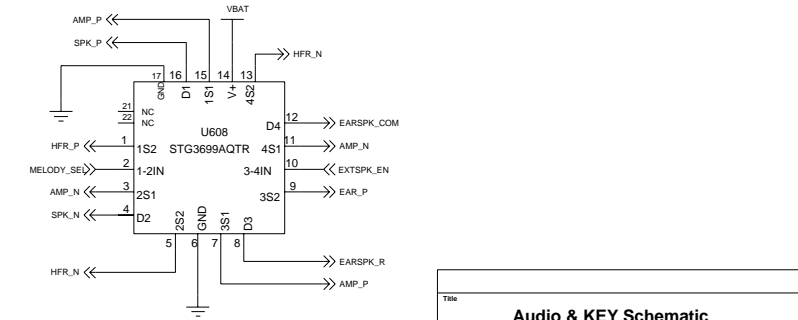
**FLIP**



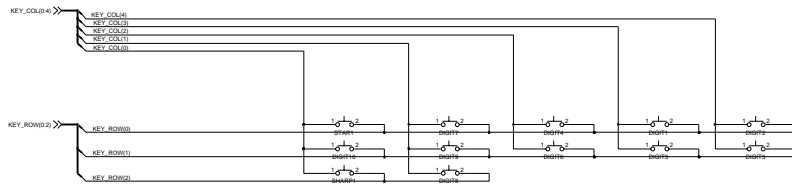
**KEY\_LED**



**CAR KIT MIC**

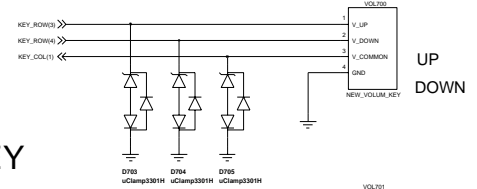


Title		
<b>Audio &amp; KEY Schematic</b>		
Document Number		Rev
<b>SAMSUNG/SGH-E350</b>		<b>Rev 3.0</b>
Date:	2005.05.25	Sheet 6 of 7

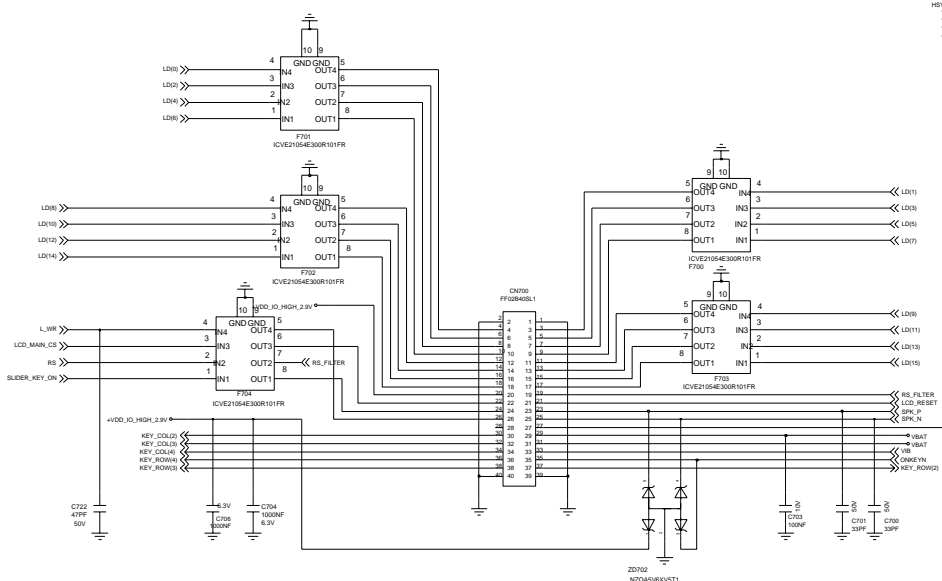
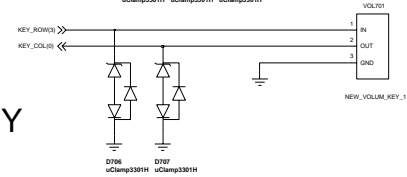


KEY\_MAP

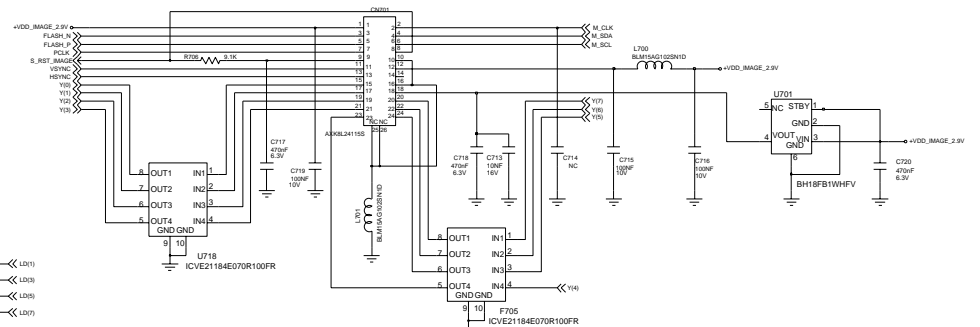
VOLUME\_KEY



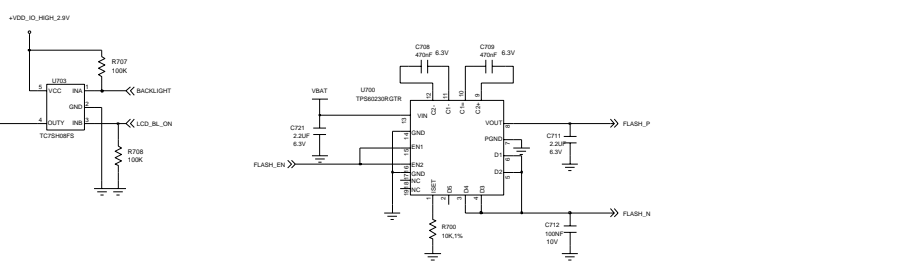
CAMERA\_KEY



LCD\_CONNECTOR F700 - F704 FILTER UPDATE !!



CAMERA\_CONNECTOR



FLASH\_LED\_DRIVER\_SINGLE\_TYPE