

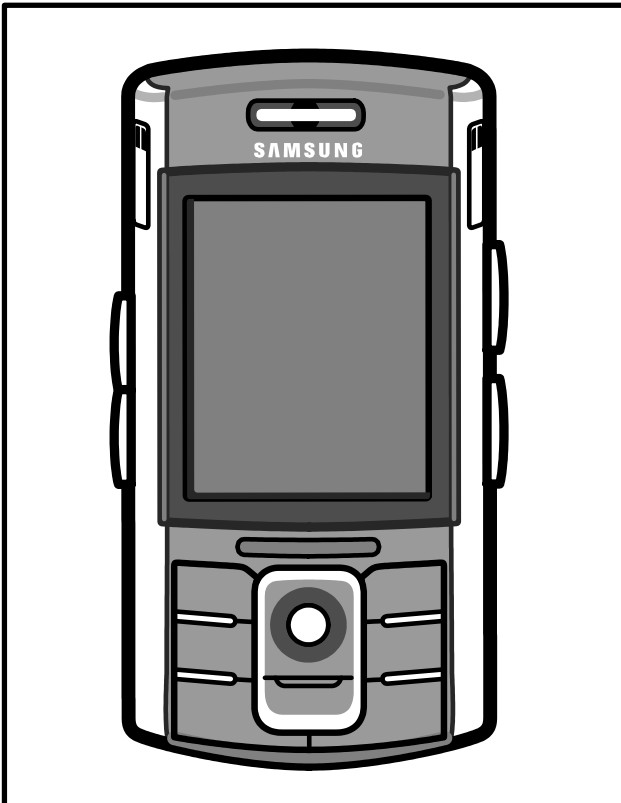
SAMSUNG

MITs TELEPHONE

SGH-D720

SERVICE *Manual*

MITs TELEPHONE



CONTENTS

1. Specification
2. Flow Chart of Troubleshooting
3. Exploded Views and Parts List
4. Electrical Parts List
5. PCB Diagrams
6. Block Diagrams

1. SGH-D720 Specification

1-1. GSM General Specification

	GSM900 Phase 1	EGSM 900 Phase 2	DCS1800 Phase 1	PCS1900
Freq. Band[MHz] Uplink/Downlink	890~915 935~960	880~915 925~960	1710~1785 1805~1880	1850~1910 1930~1990
ARFCN range	1~124	0~124 & 975~1023	512~885	512~810
Tx/Rx spacing	45MHz	45MHz	95MHz	80MHz
Mod. Bit rate/ Bit Period	270.833kbps 3.692us	270.833kbps 3.692us	270.833kbps 3.692us	270.833kbps 3.692us
Time Slot Period/Frame Period	576.9us 4.615ms	576.9us 4.615ms	576.9us 4.615ms	576.9us 4.615ms
Modulation	0.3GMSK	0.3GMSK	0.3GMSK	0.3GMSK
MS Power	33dBm ~ 13dBm	33dBm ~ 5dBm	30dBm ~ 0dBm	30dBm ~ 0dBm
Power Class	5pcl ~ 15pcl	5pcl ~ 19pcl	0pcl ~ 15pcl	0pcl ~ 15pcl
Sensitivity	-102dBm	-102dBm	-100dBm	-100dBm
TDMA Mux	8	8	8	8
Cell Radius	35Km	35Km	2Km	-

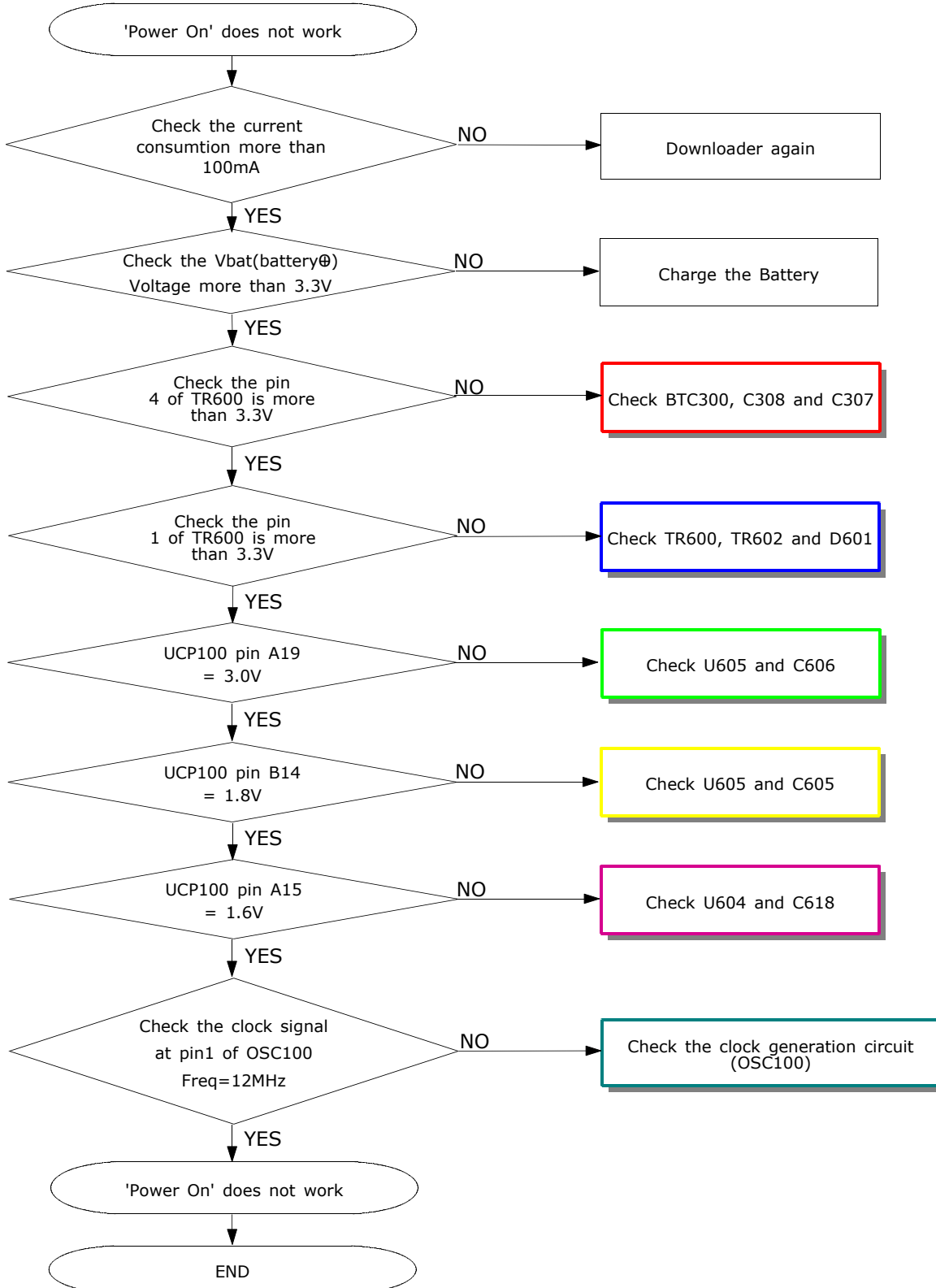
1-2. GSM Tx Power Class

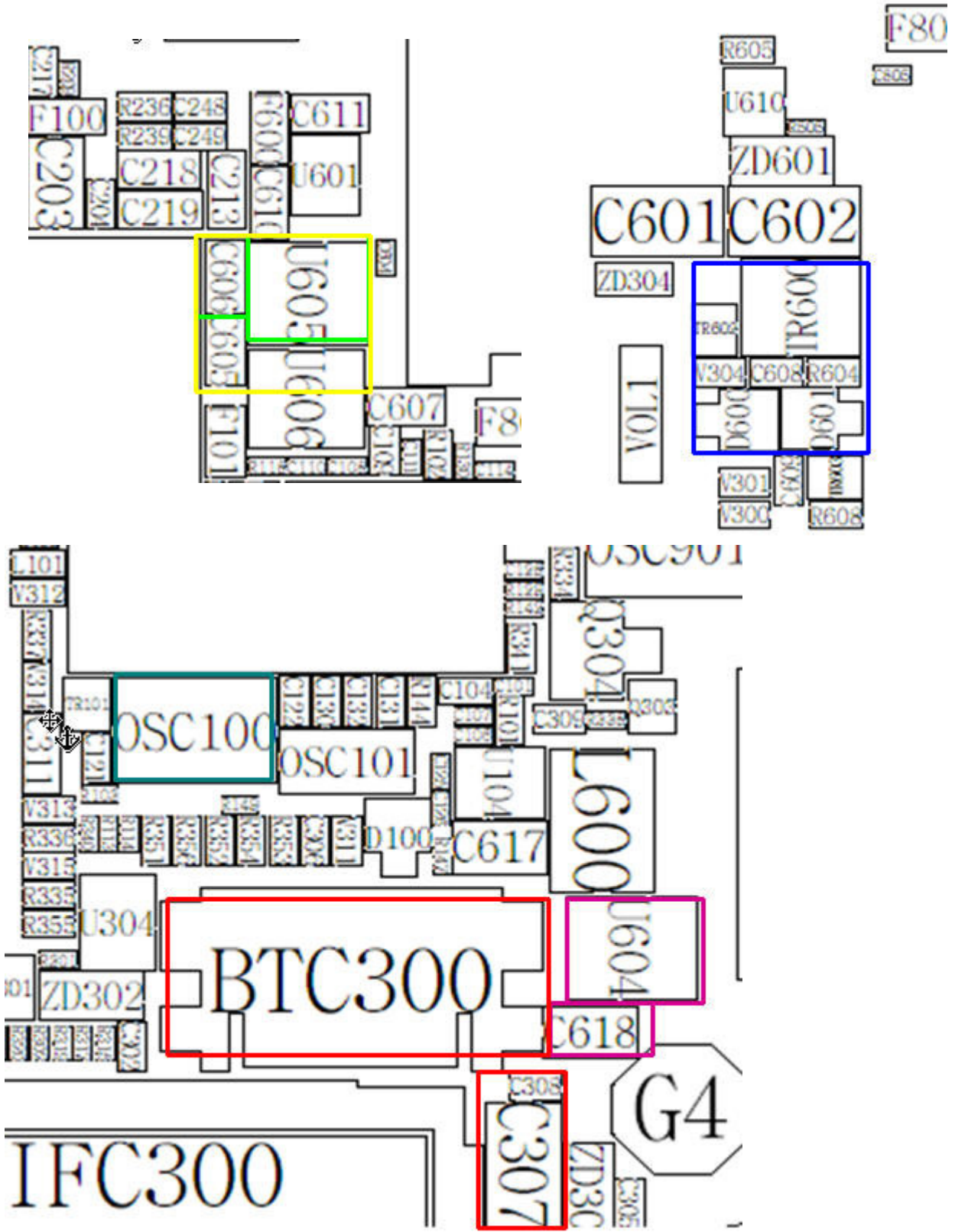
TX Power control level	GSM900	TX Power control level	DCS1800	TX Power control level	PCS1900
5	33± 2 dBm	0	30± 3 dBm	0	30± 3 dBm
6	31± 2 dBm	1	28± 3 dBm	1	28± 3 dBm
7	29± 2 dBm	2	26± 3 dBm	2	26± 3 dBm
8	27± 2 dBm	3	24± 3 dBm	3	24± 3 dBm
9	25± 2 dBm	4	22± 3 dBm	4	22± 3 dBm
10	23± 2 dBm	5	20± 3 dBm	5	20± 3 dBm
11	21± 2 dBm	6	18± 3 dBm	6	18± 3 dBm
12	19± 2 dBm	7	16± 3 dBm	7	16± 3 dBm
13	17± 2 dBm	8	14± 3 dBm	8	14± 3 dBm
14	15± 2 dBm	9	12± 4 dBm	9	12± 4 dBm
15	13± 2 dBm	10	10± 4 dBm	10	10± 4 dBm
16	11± 3 dBm	11	8± 4dBm	11	8± 4dBm
17	9± 3dBm	12	6± 4 dBm	12	6± 4 dBm
18	7± 3 dBm	13	4± 4 dBm	13	4± 4 dBm
19	5± 3 dBm	14	2± 5 dBm	14	2± 5 dBm
		15	0± 5 dBm	15	0± 5 dBm

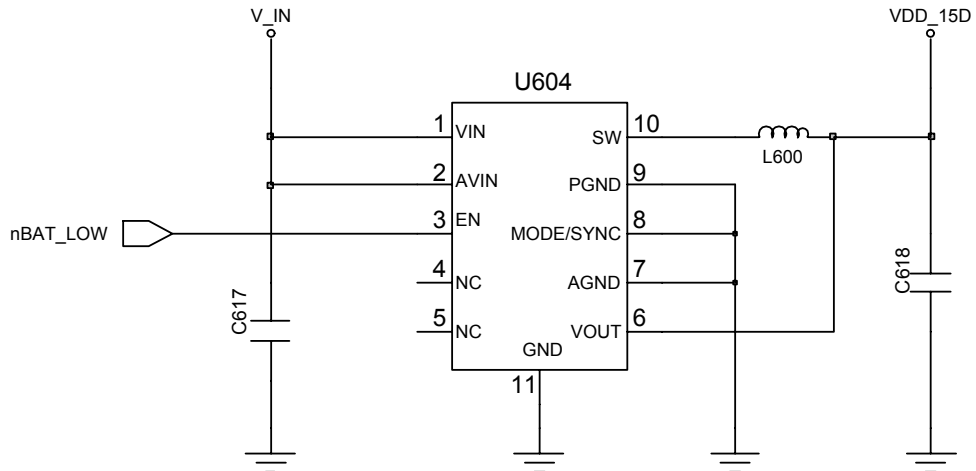
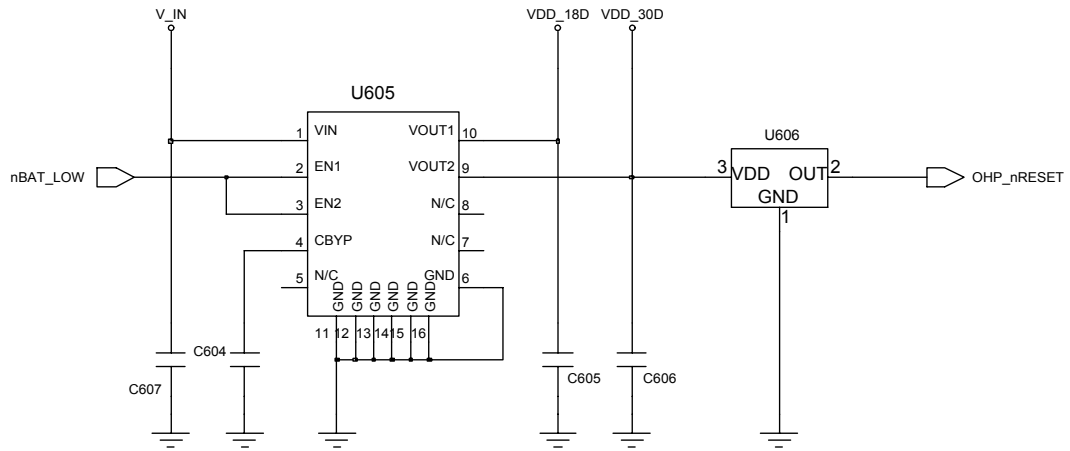
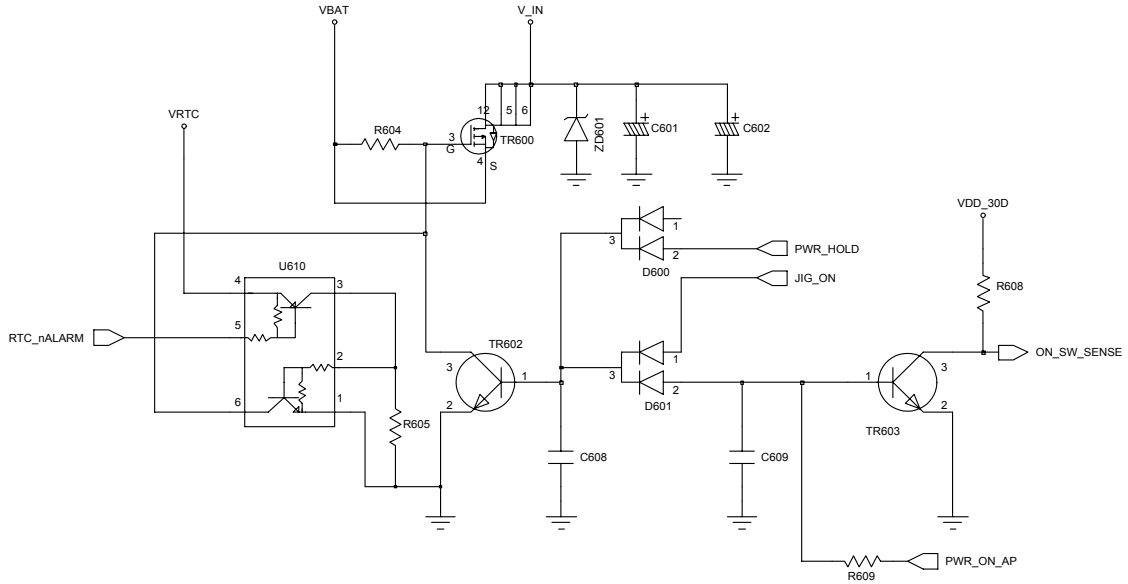
2. SGH-D720 Flow Chart of Troubleshooting and Circuit Diagrams

2-1.Baseband

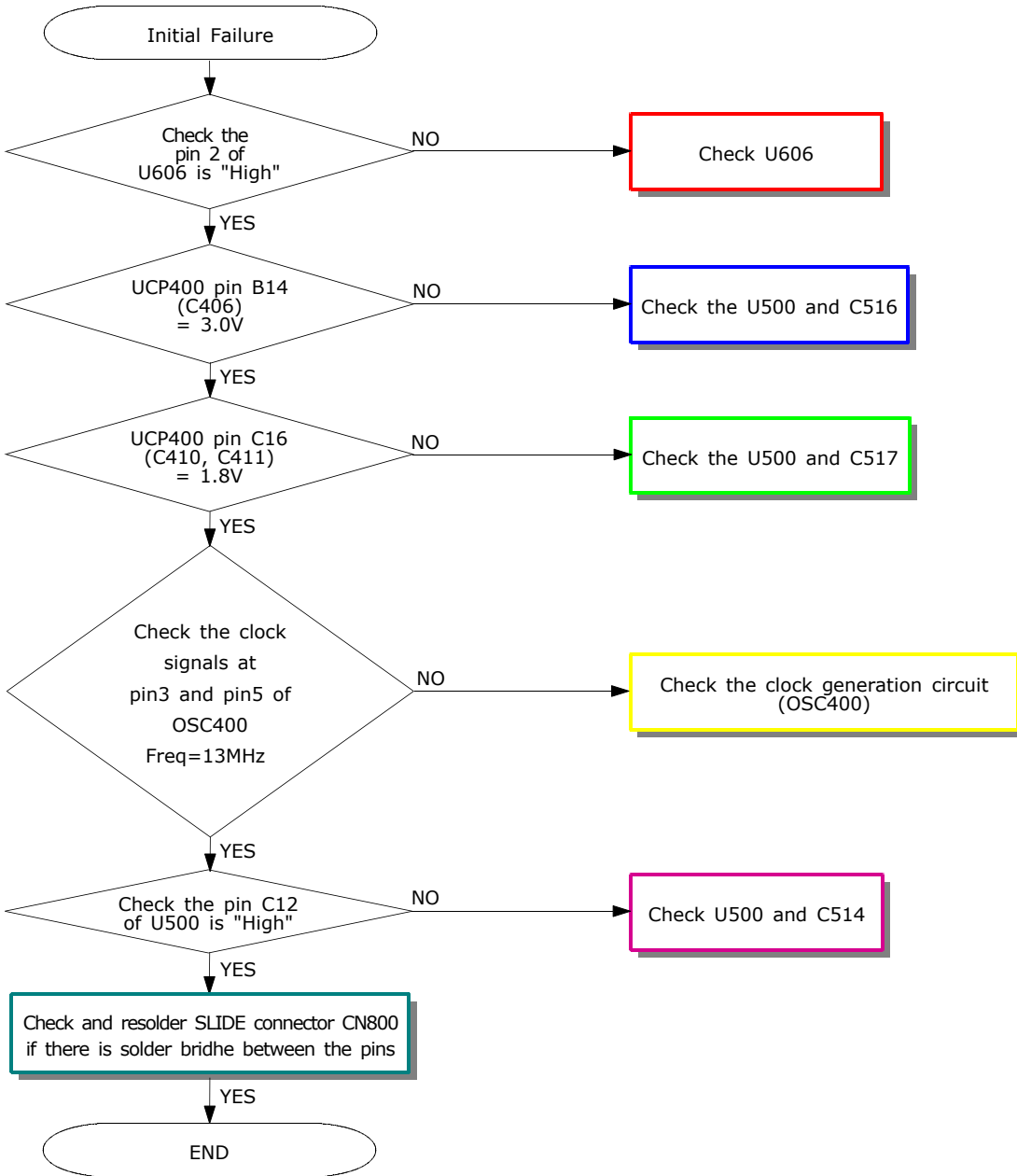
2-1-1. Power ON

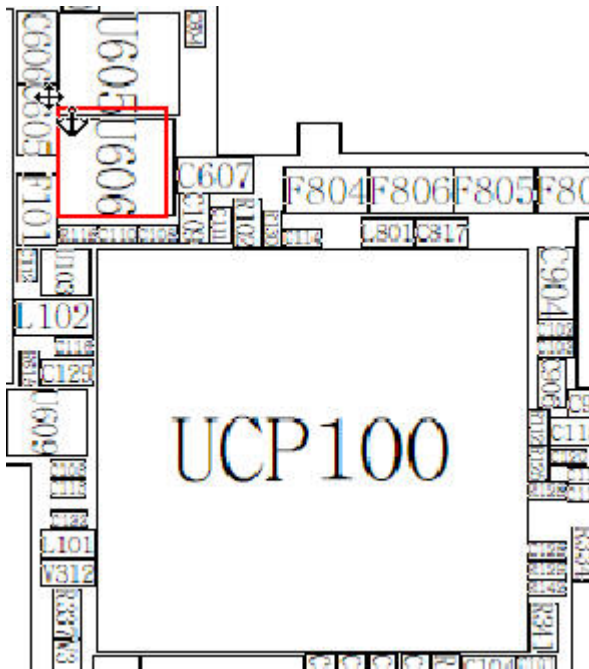
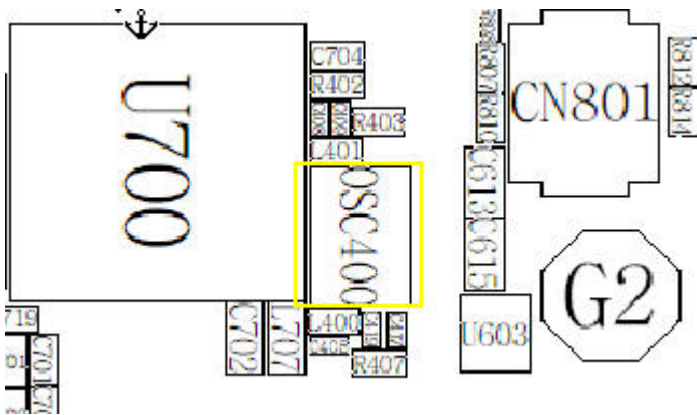


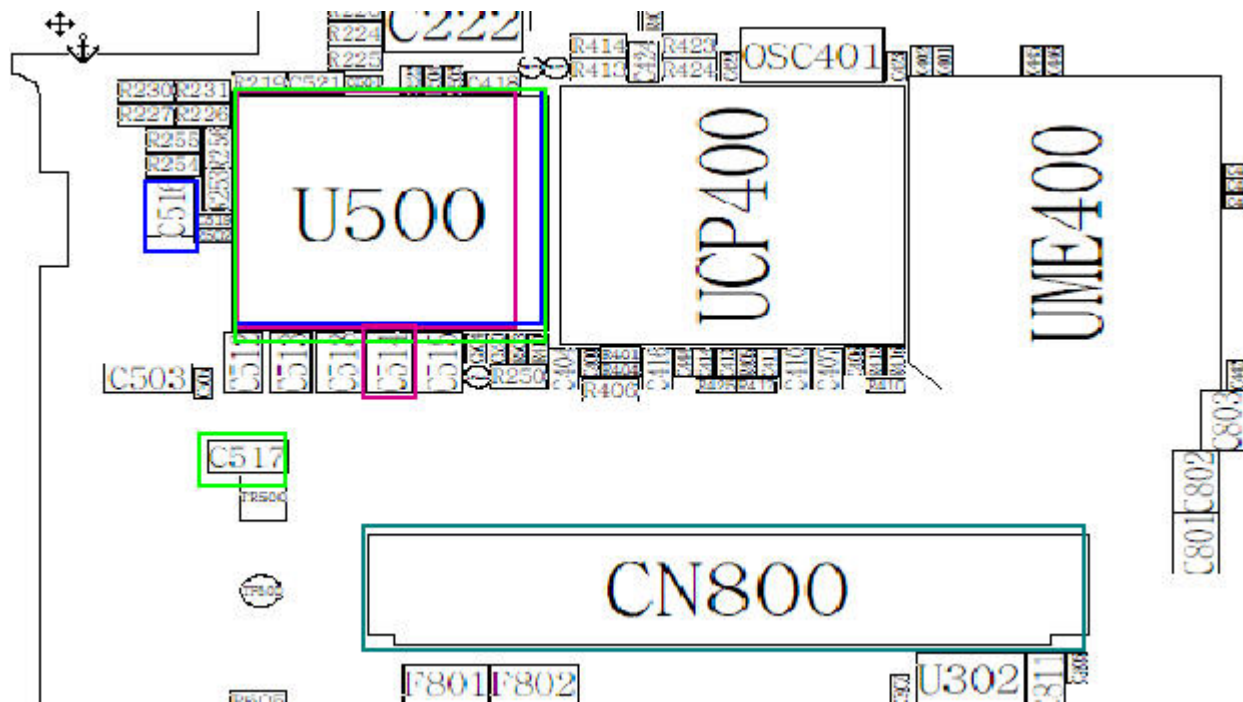




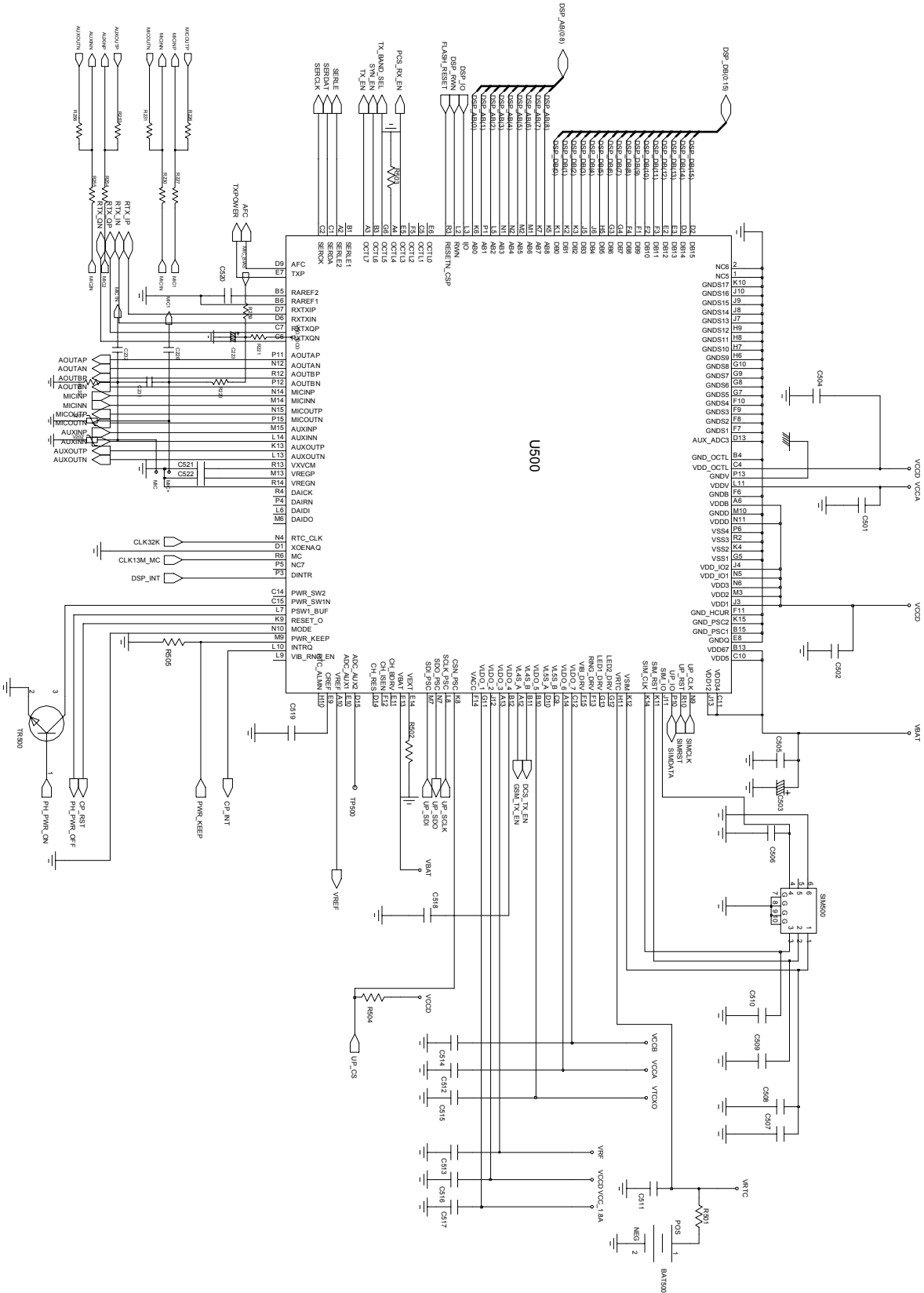
2-1-2. Initial



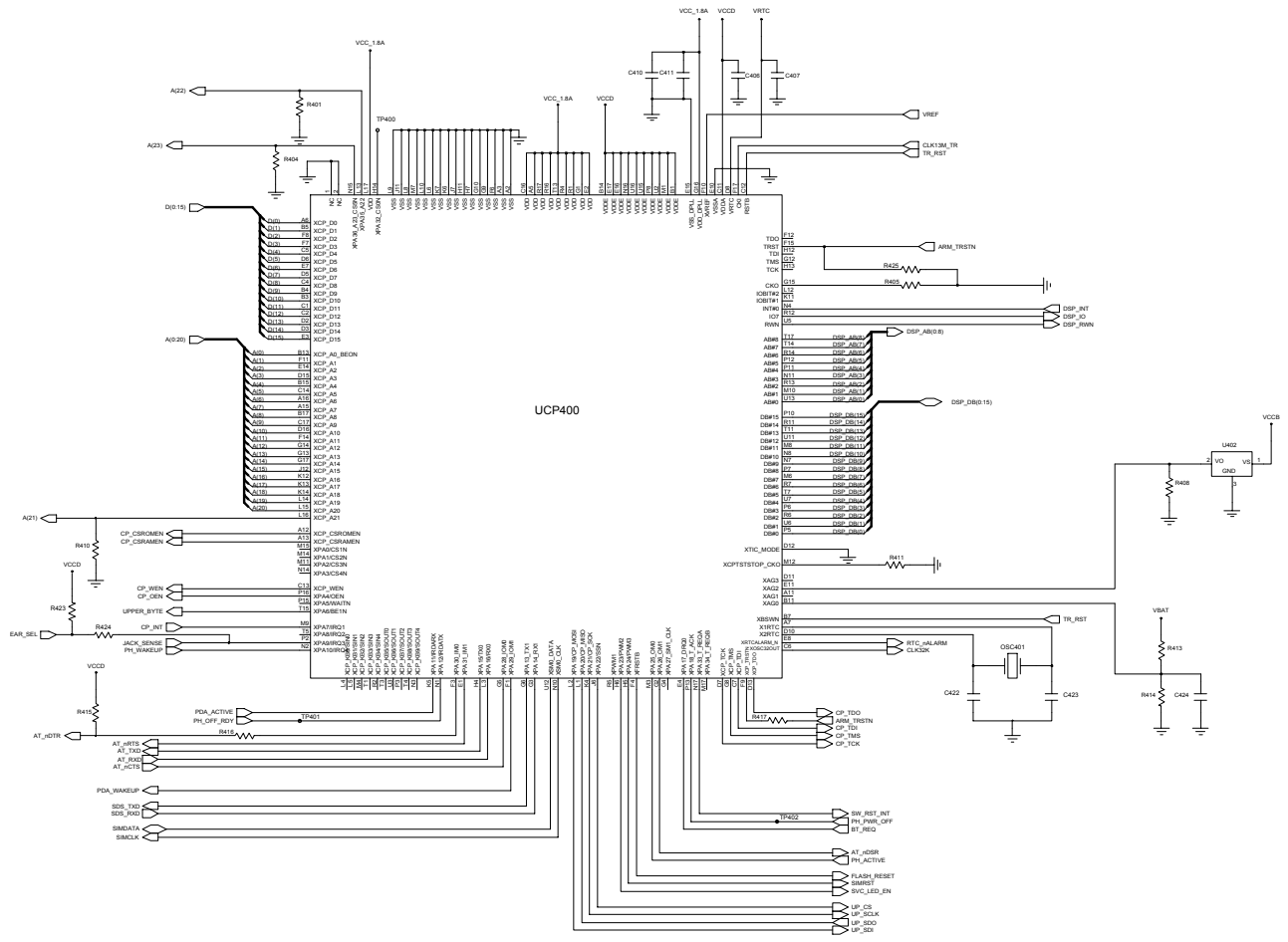




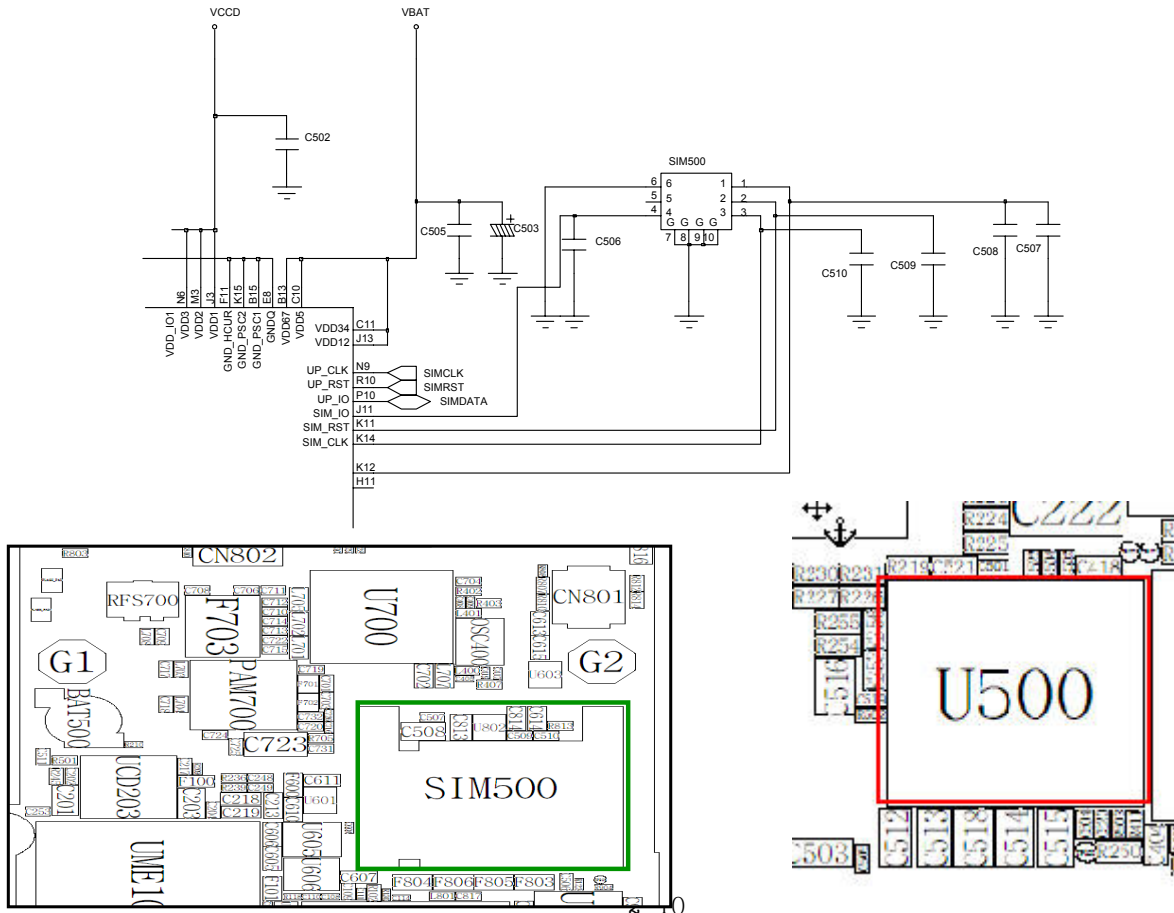
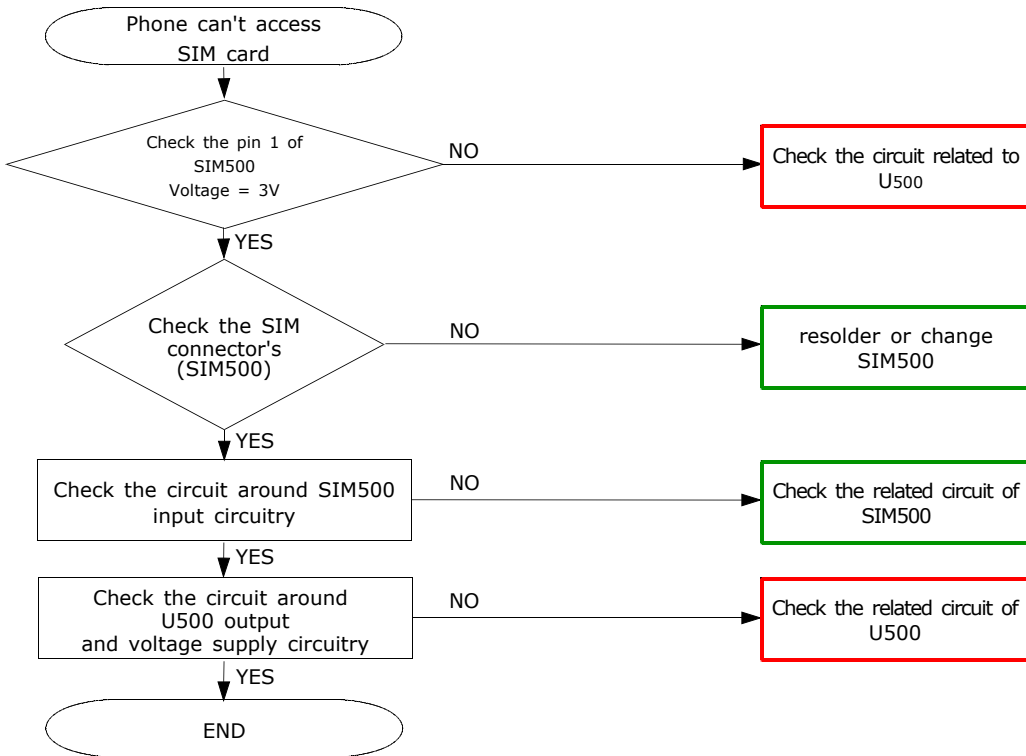
SGH-D720 Flow Chart of Troubleshooting and Circuit Diagrams



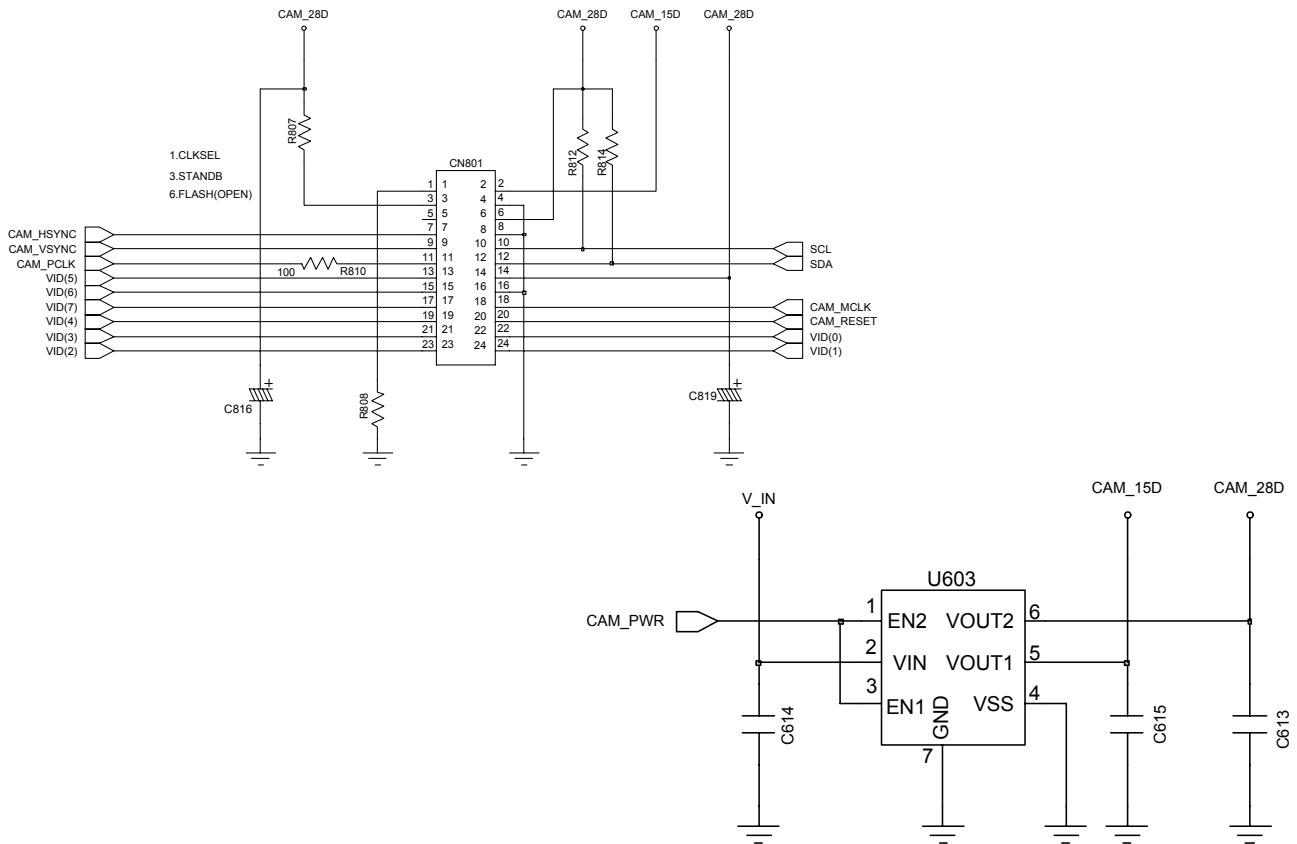
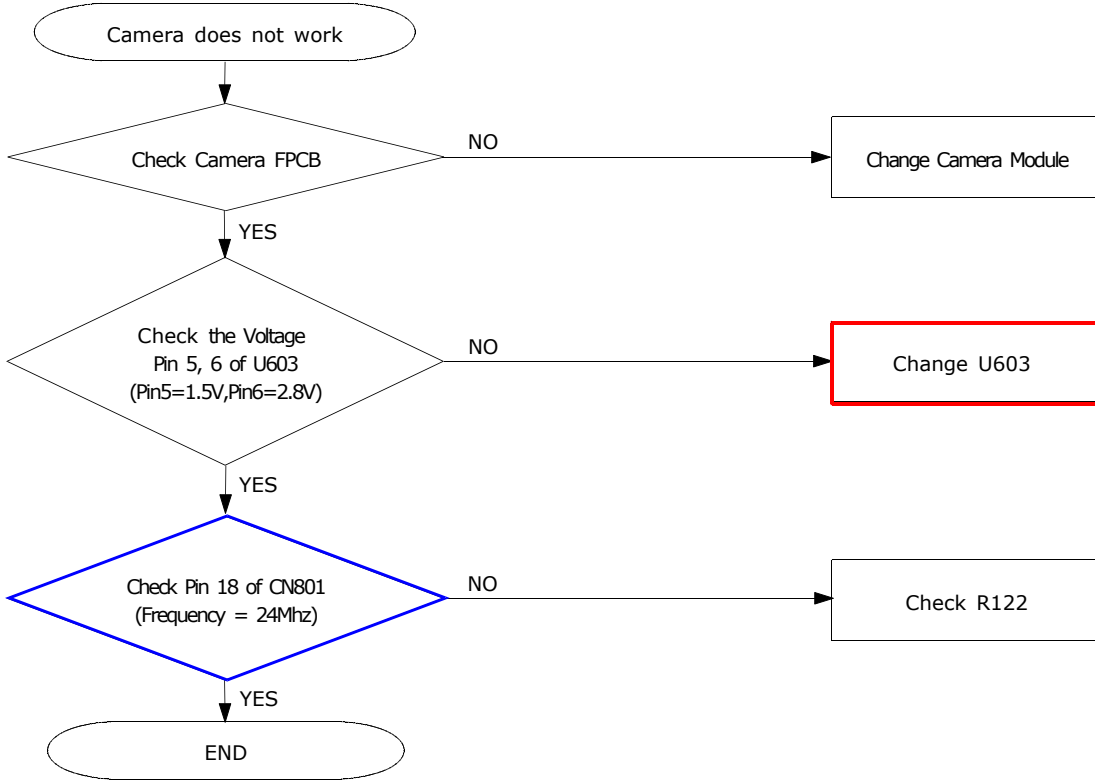
SGH-D720 Flow Chart of Troubleshooting and Circuit Diagrams

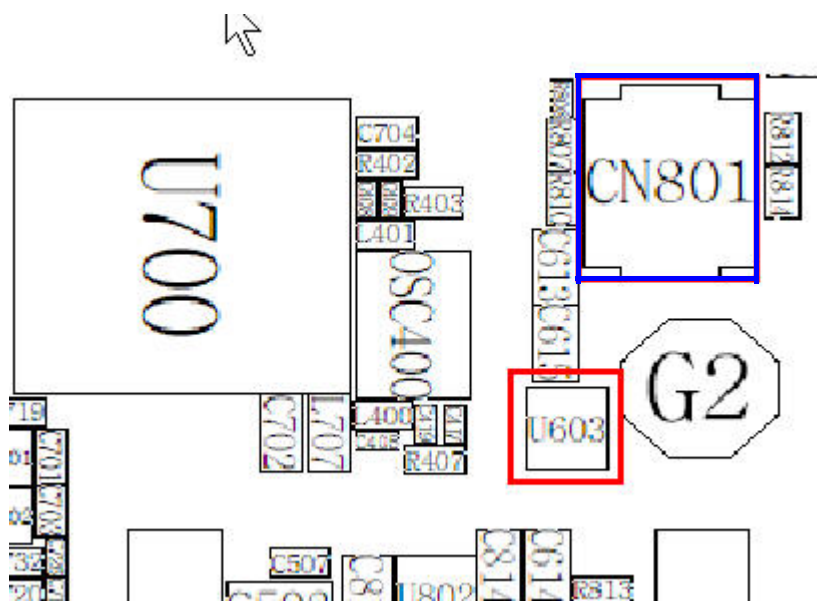


2-1-3. Sim Part

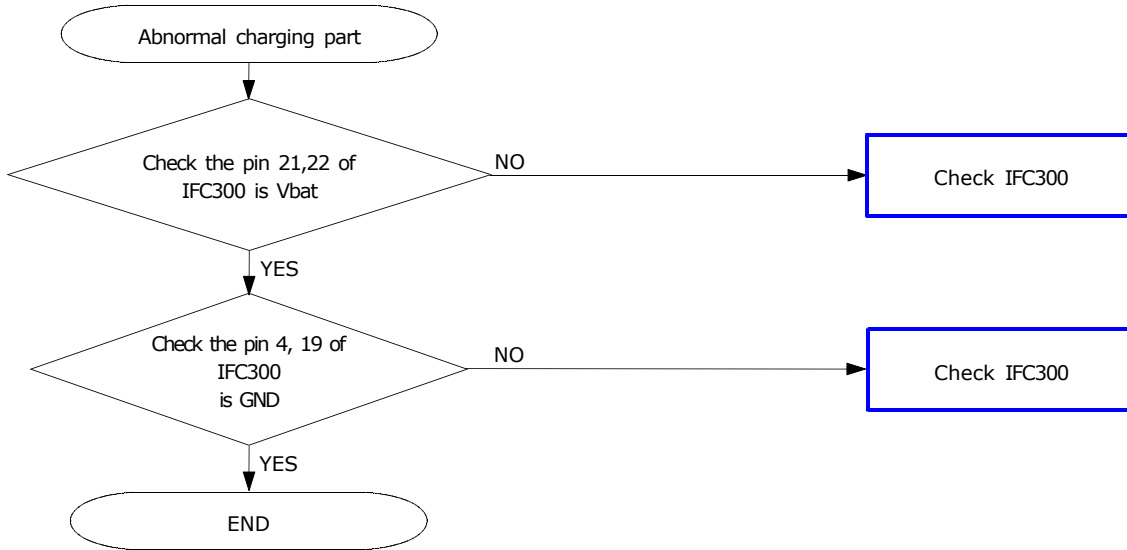


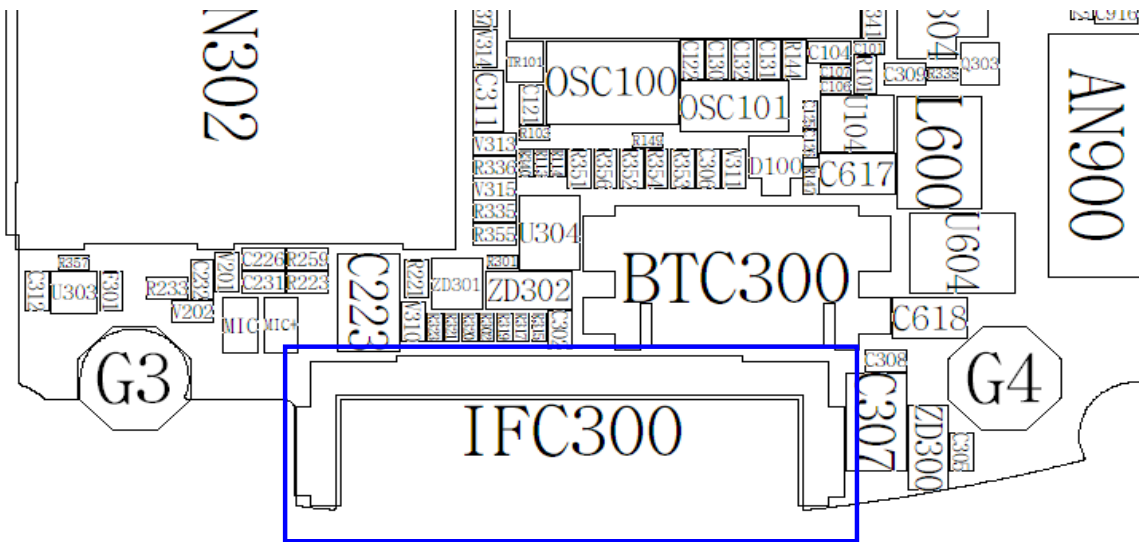
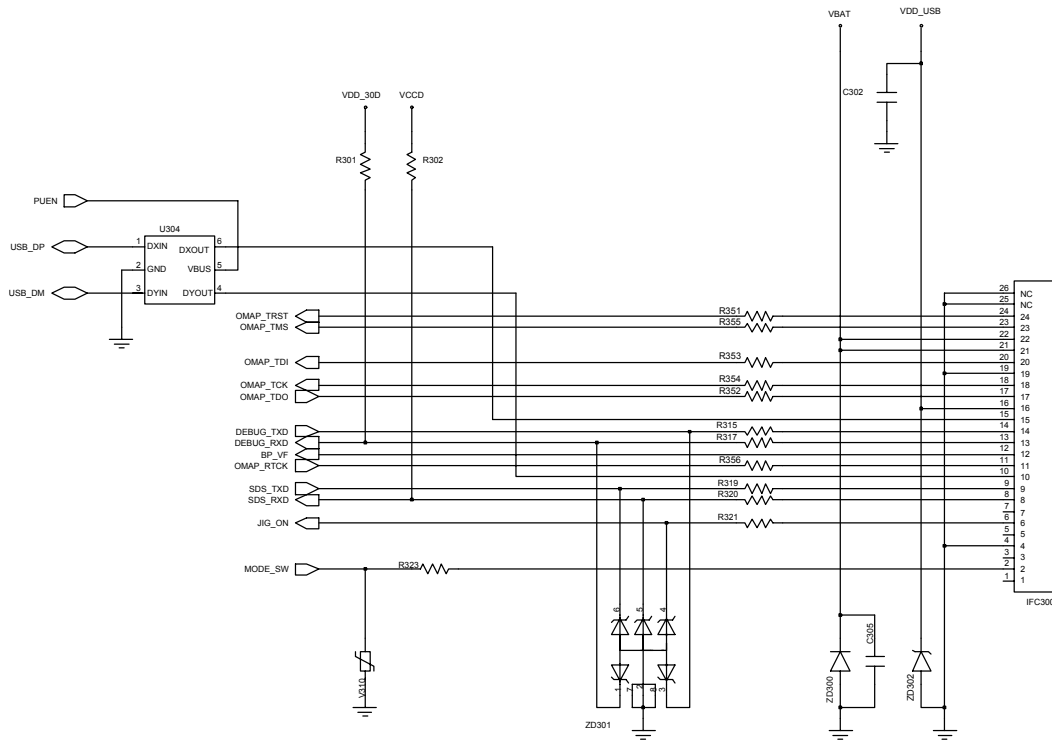
2-1-4. Camera Part



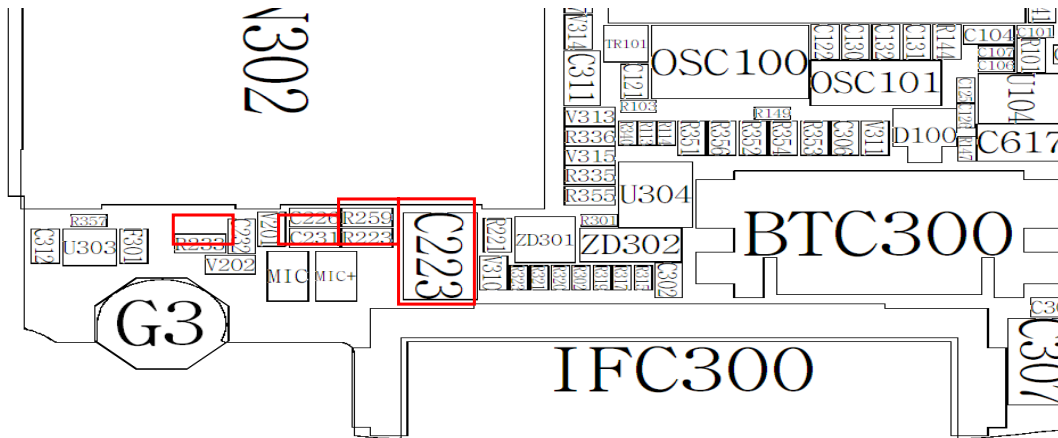
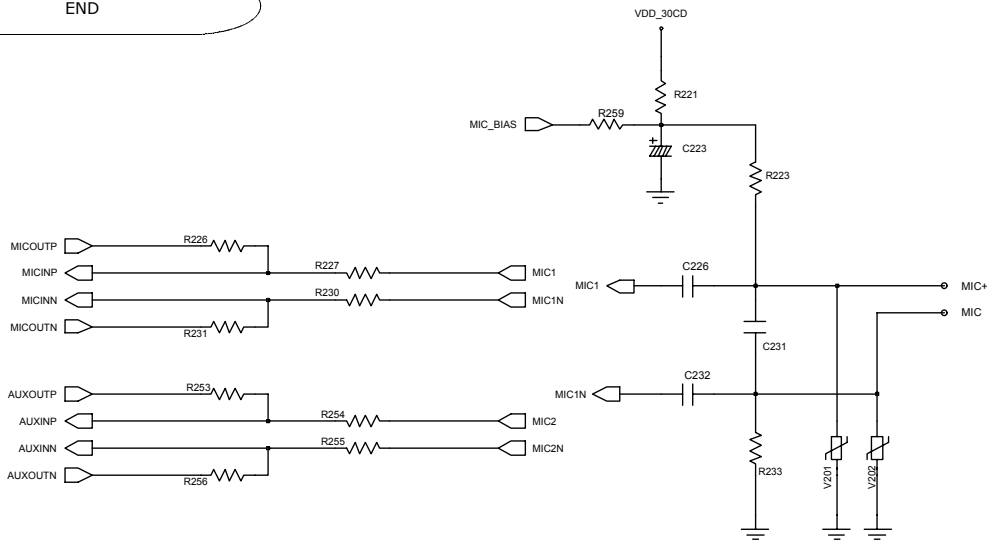
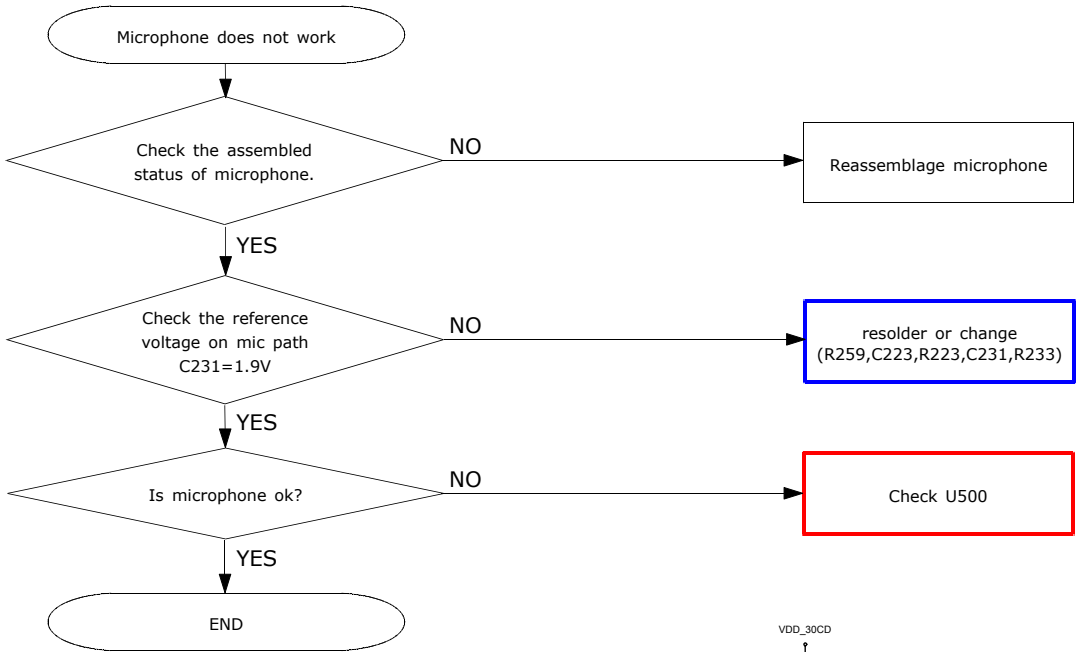


2-1-5. Charging Part

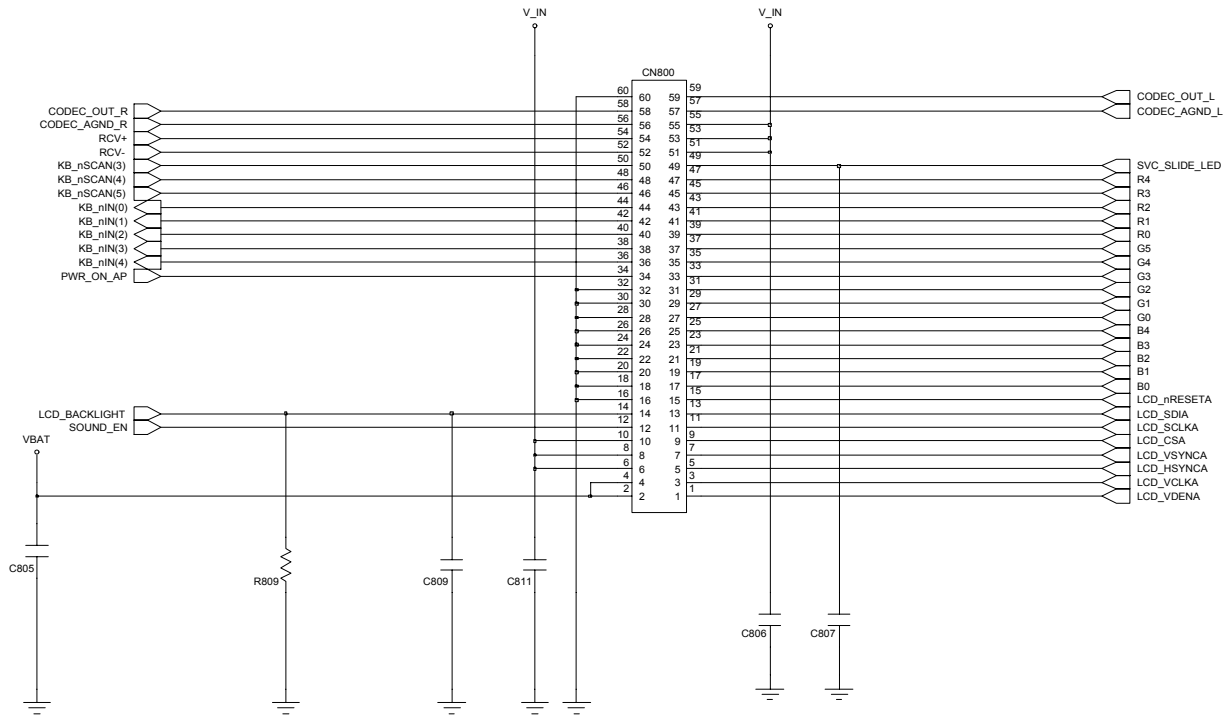
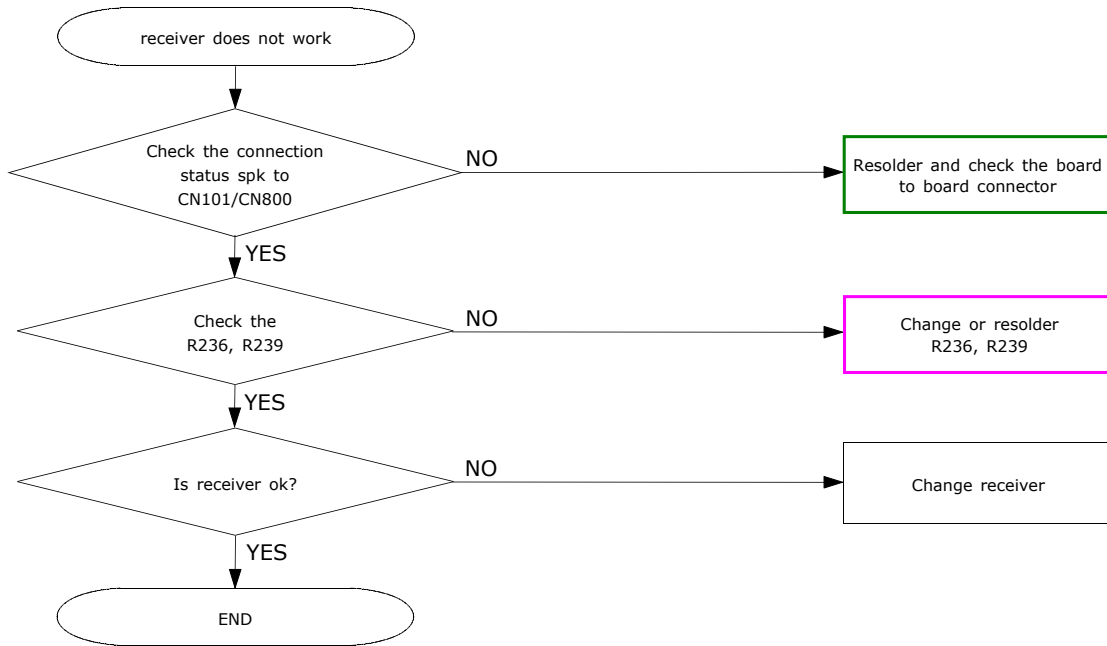


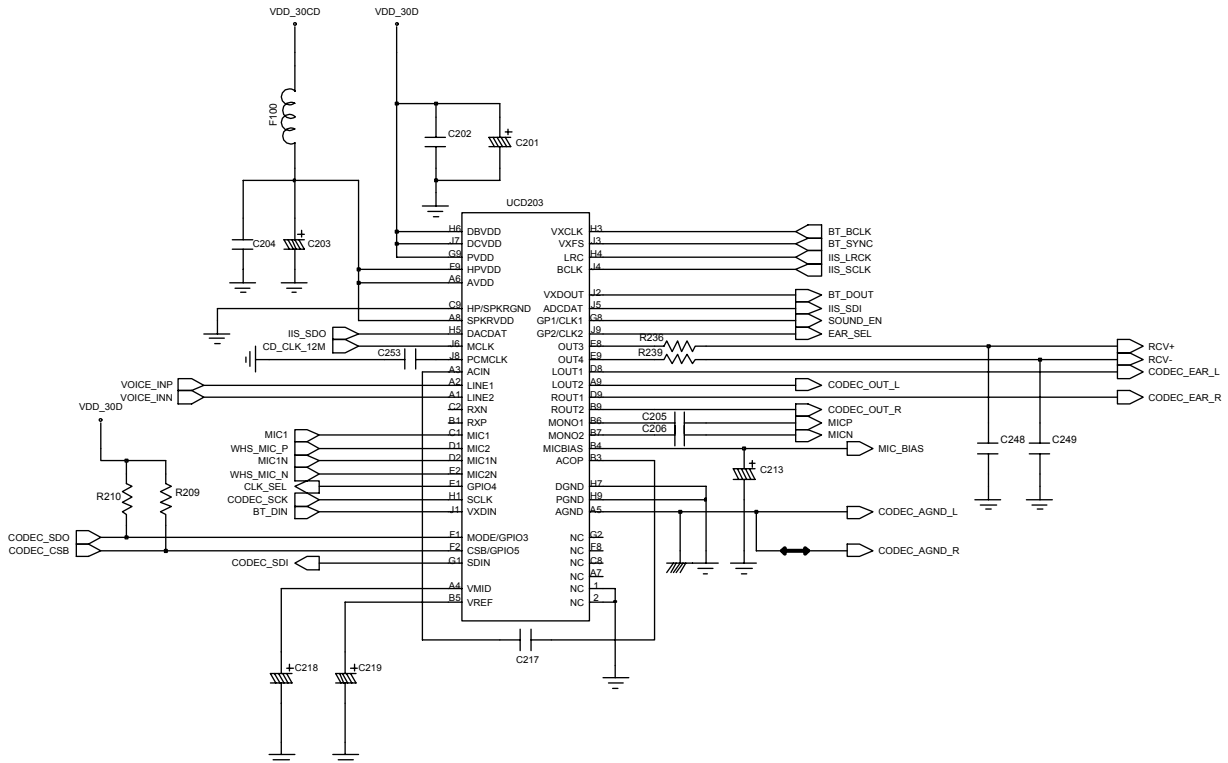
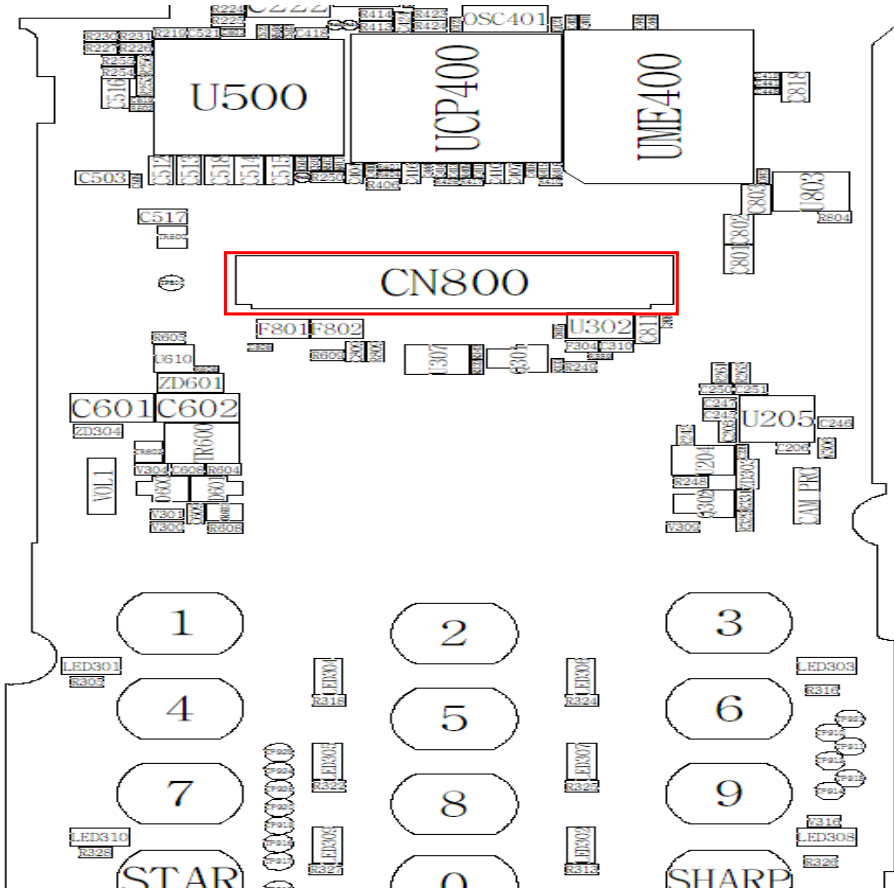


2-1-6 Audio-Microphone Part



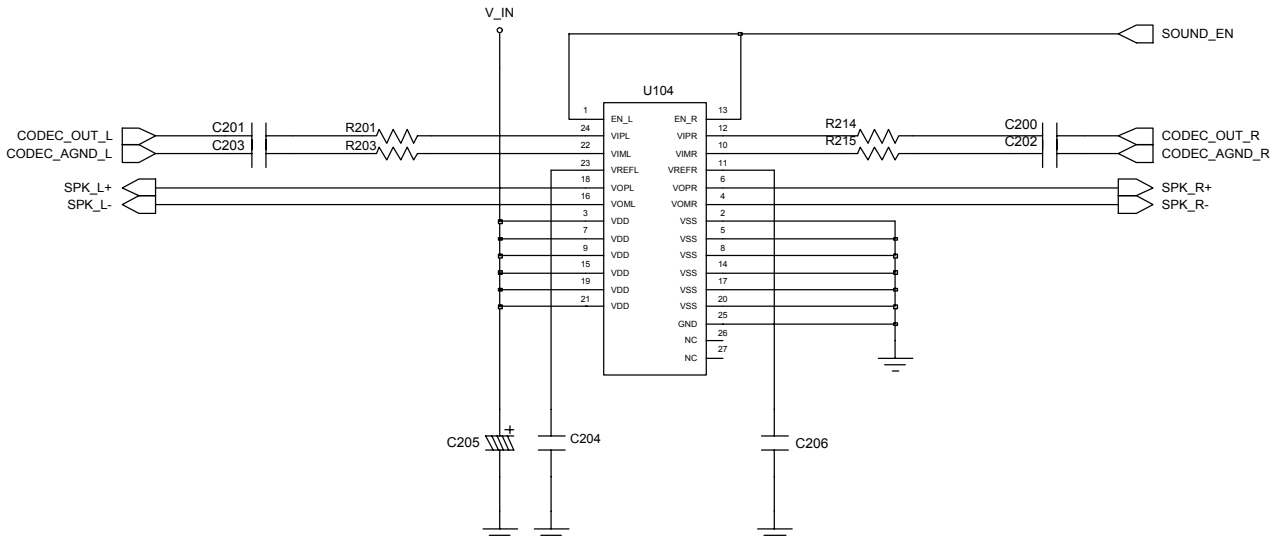
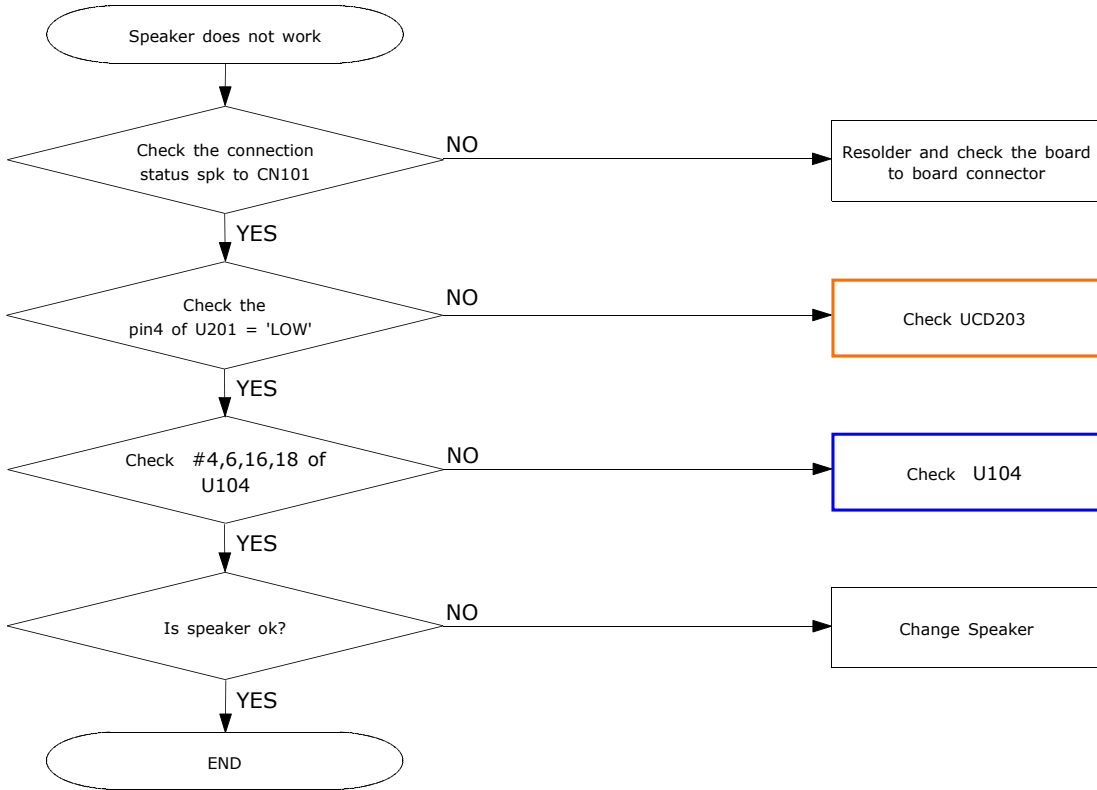
2-1-7. Audio-Receiver Part

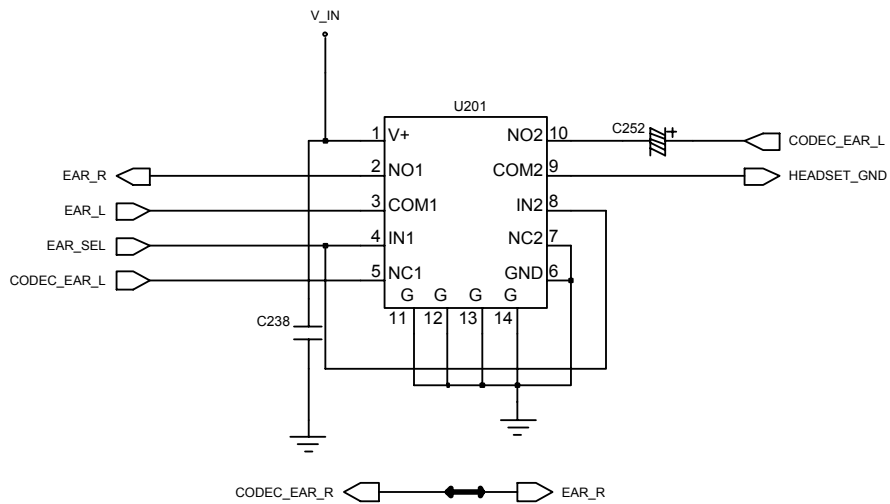
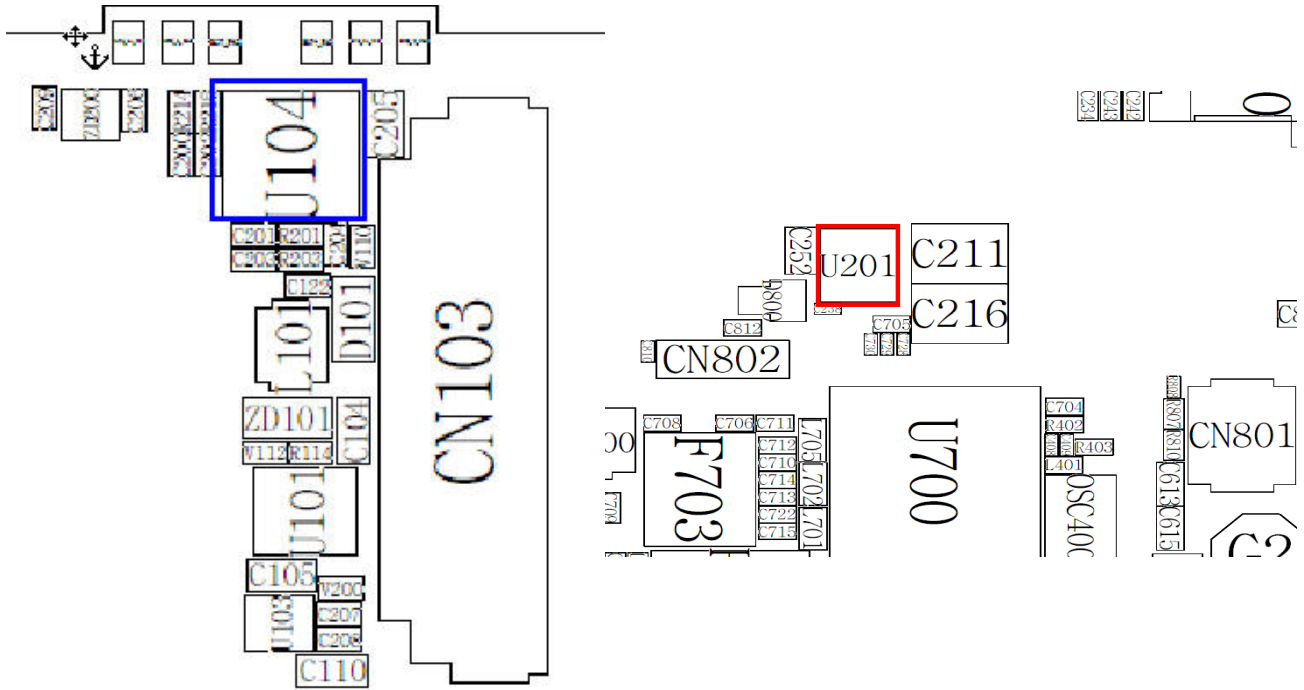




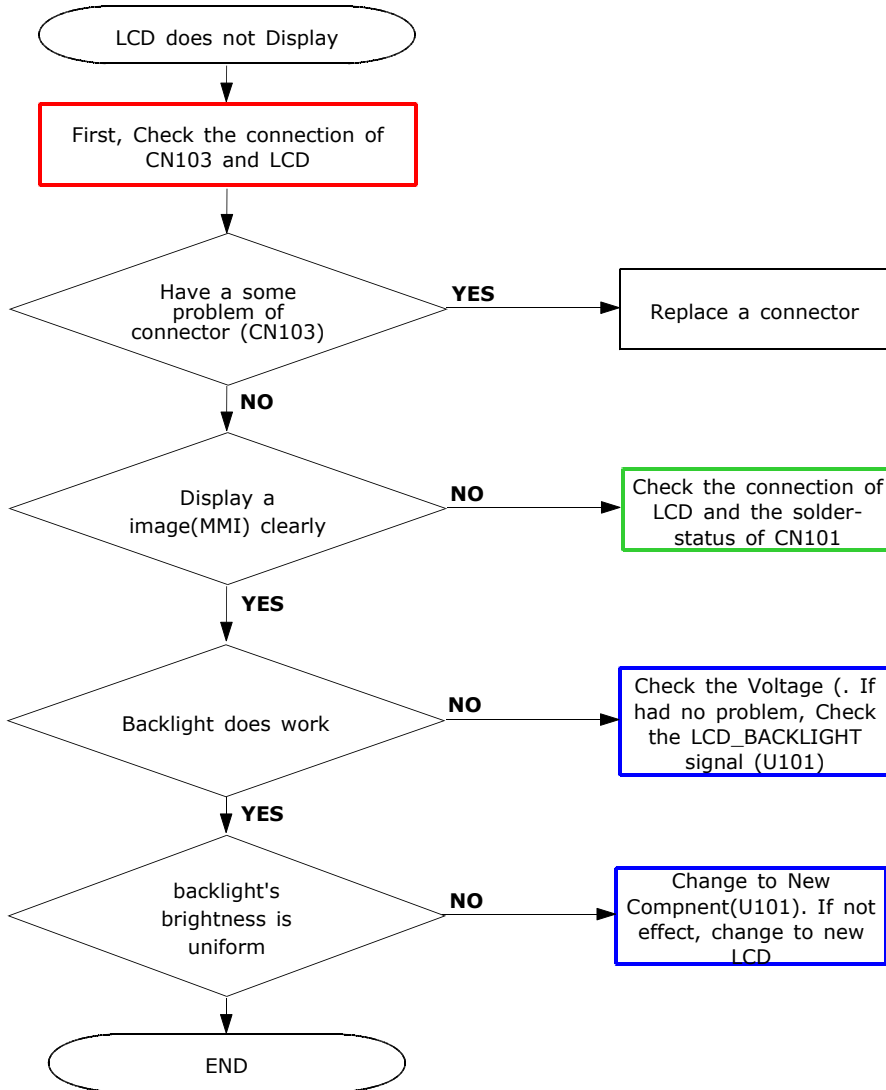


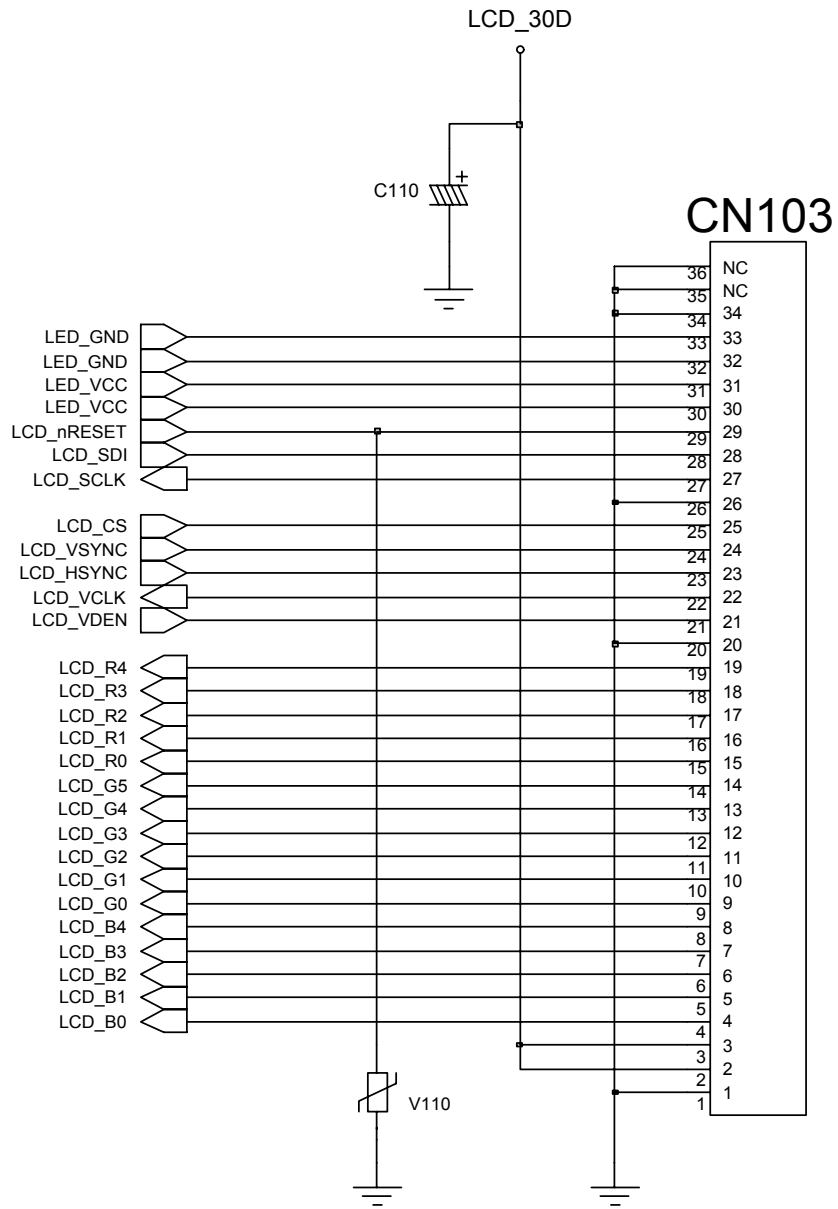
2-1-8. Speaker Part

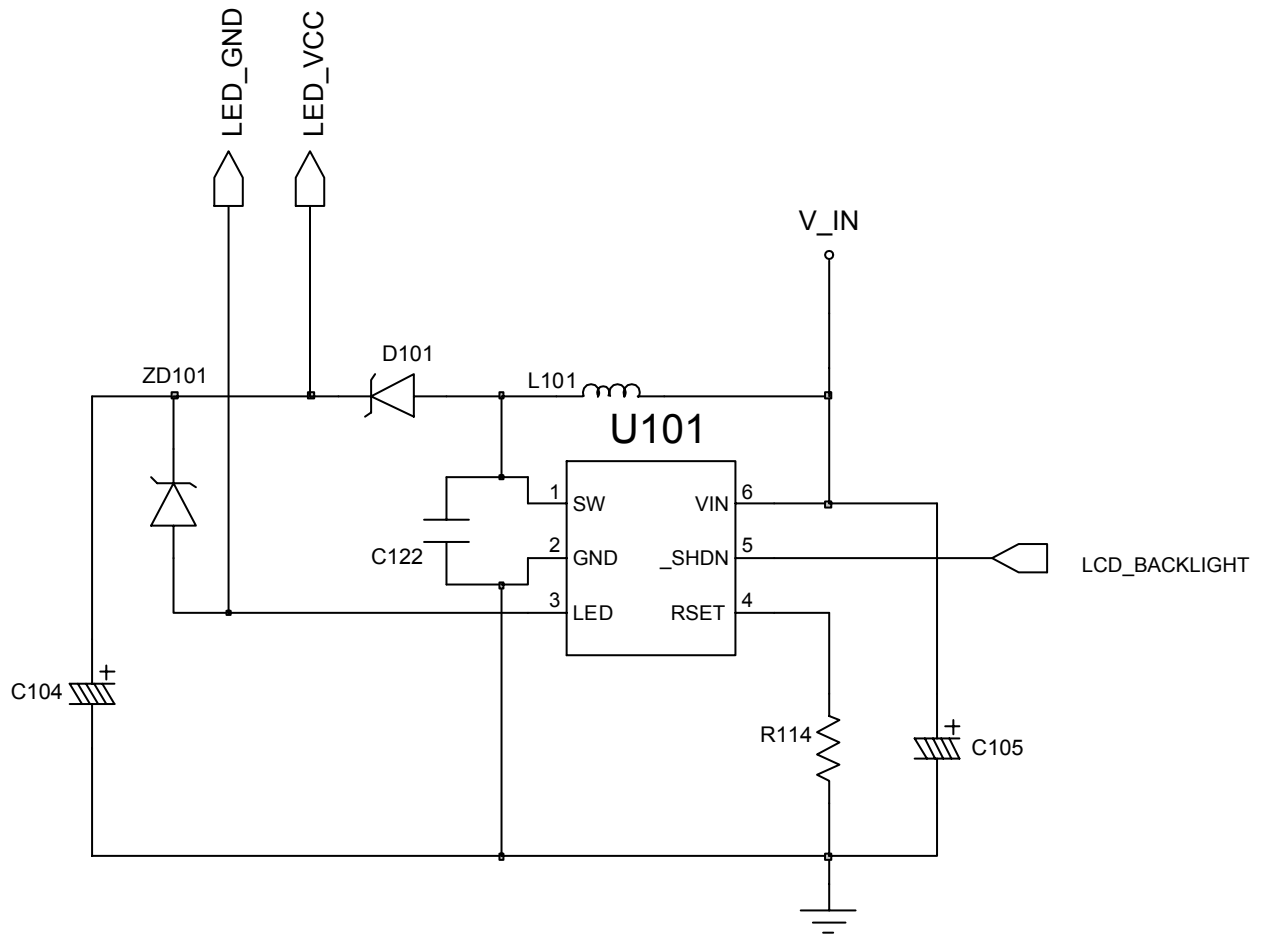




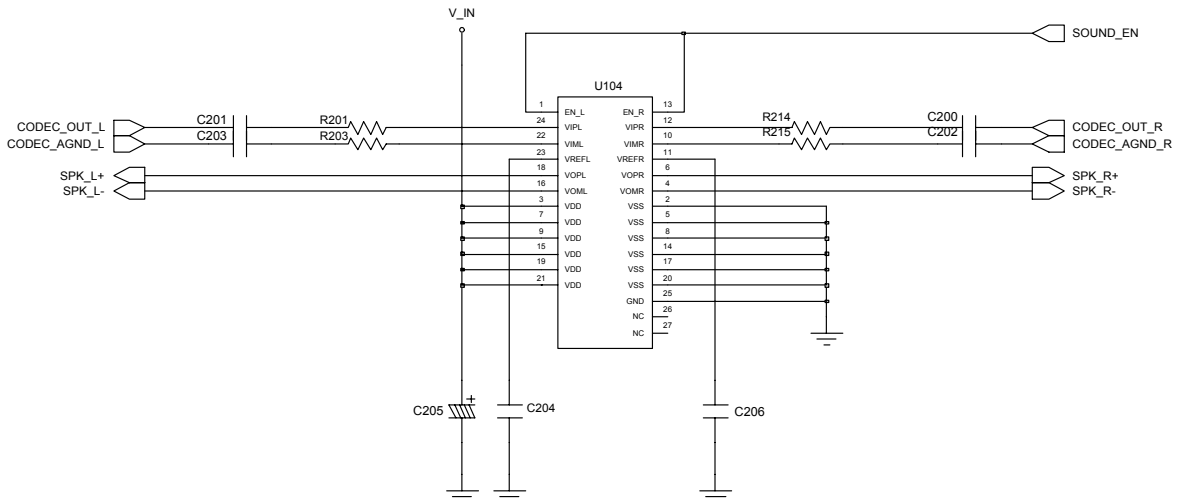
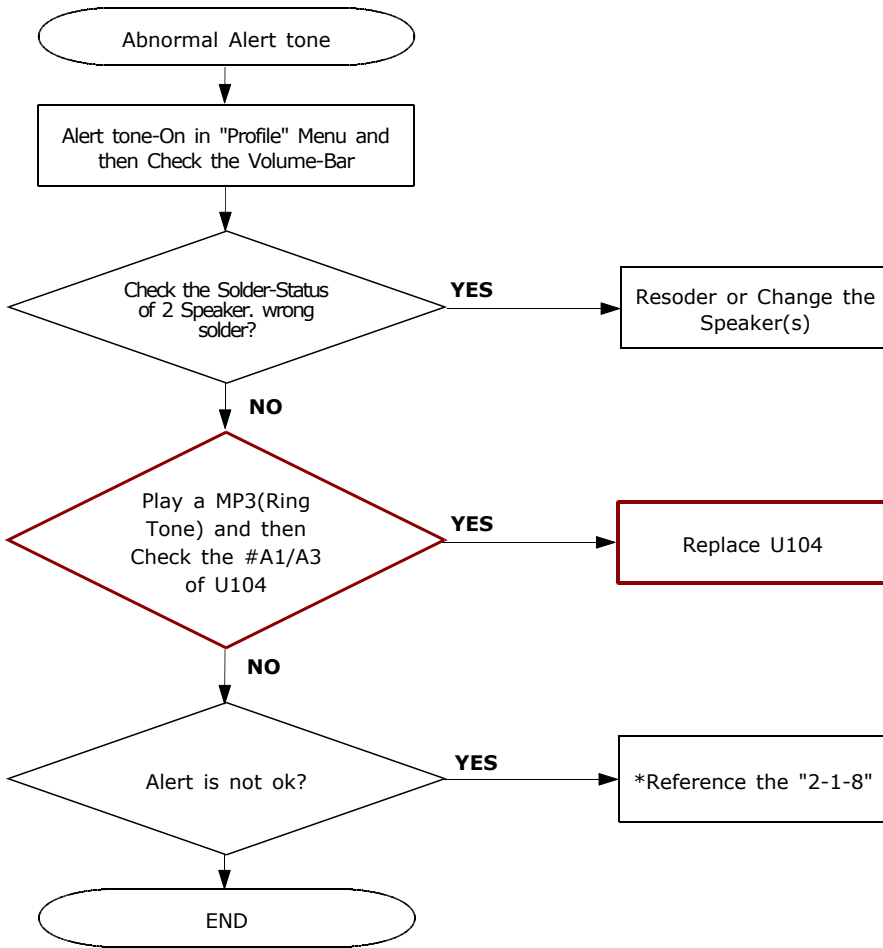
2-1-9. LCD



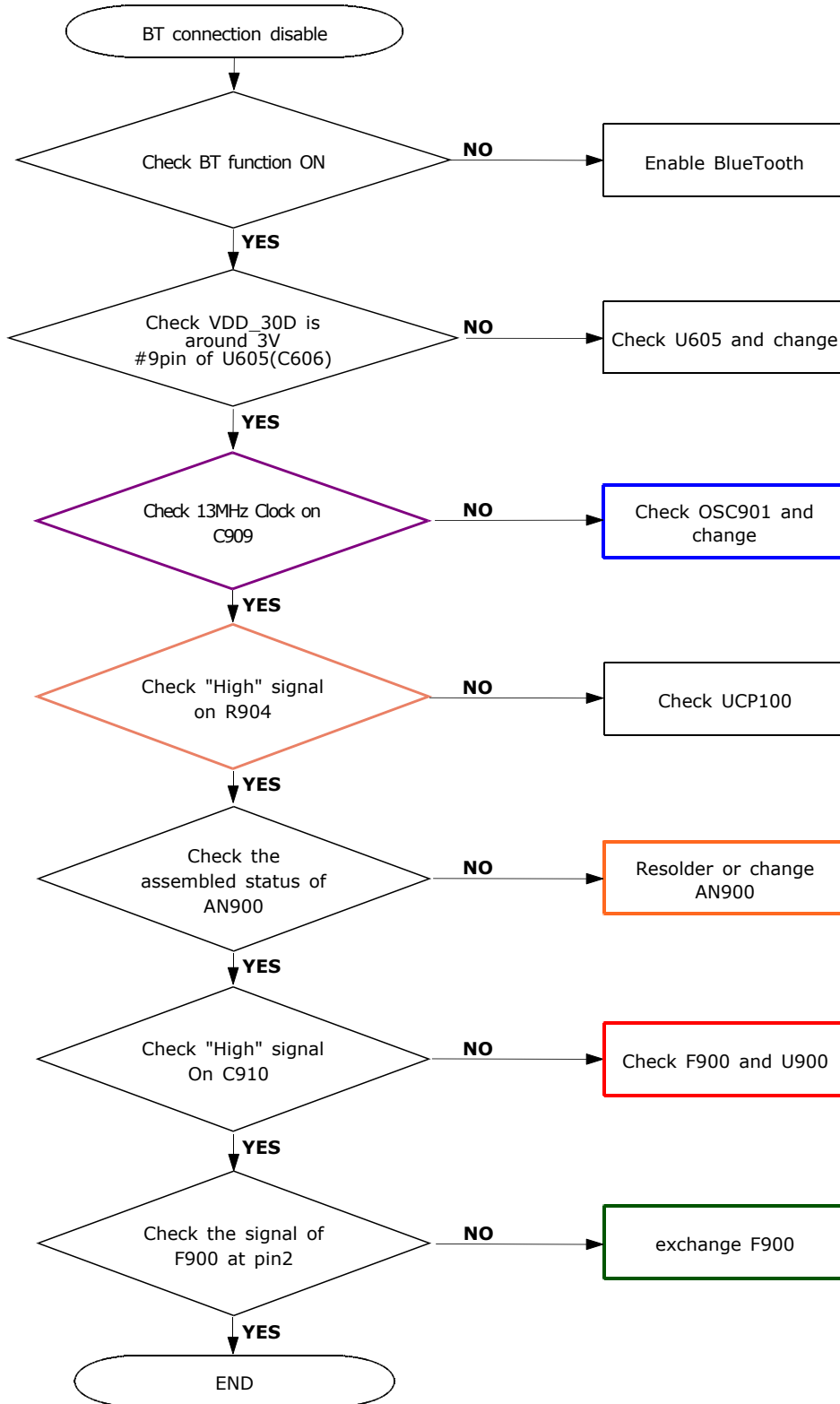


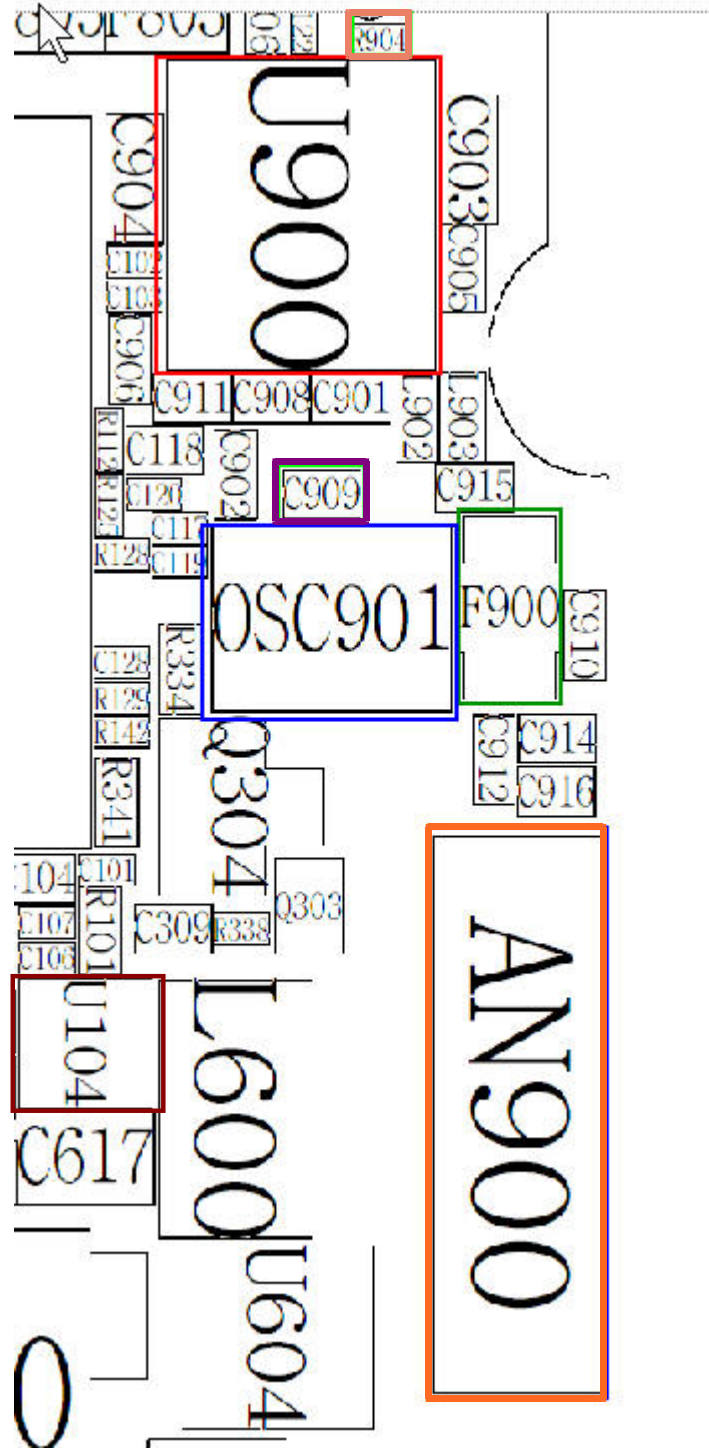


2-1-10. ALERT TONE



2-1-11. Bluetooth Part

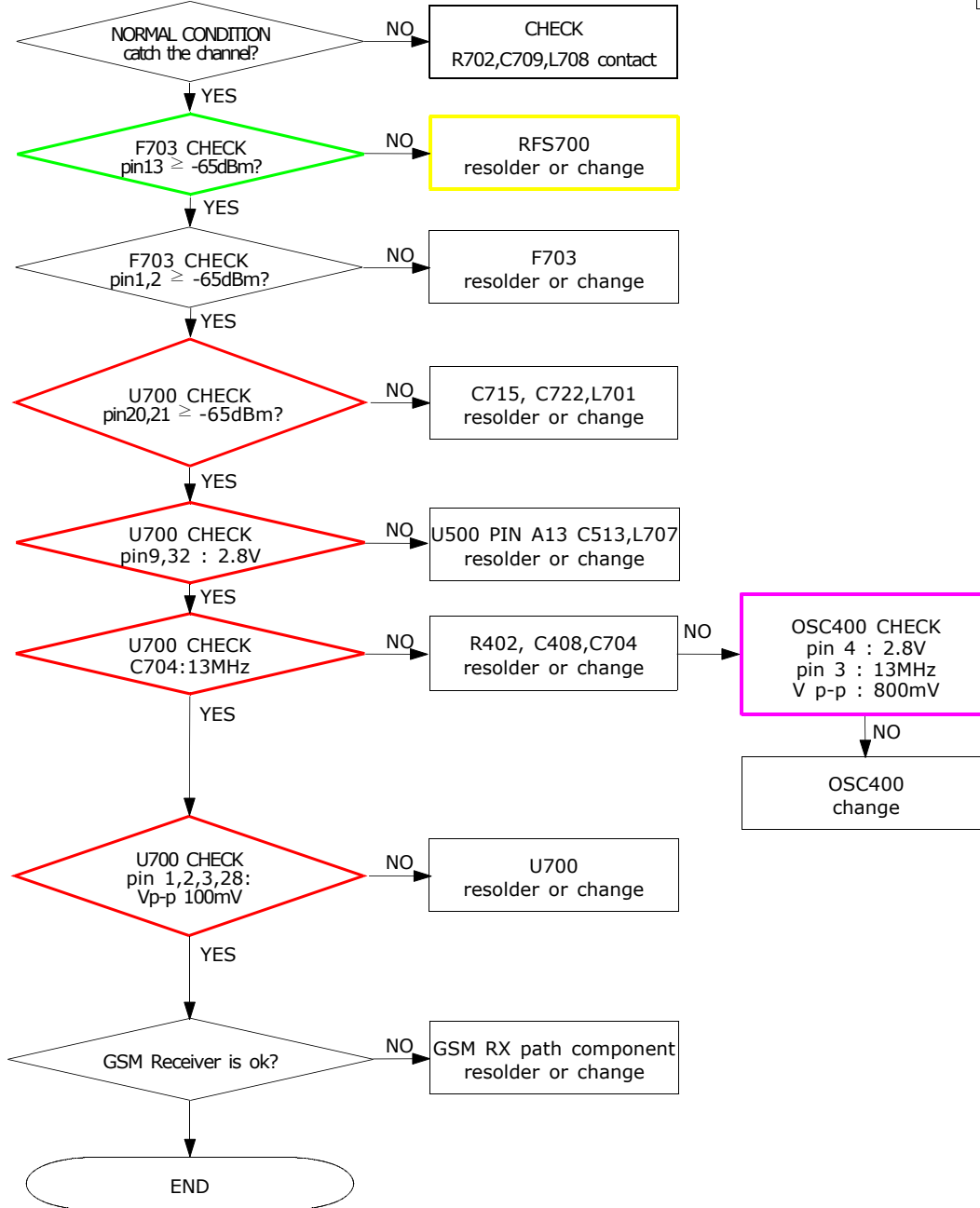




2-2.RF

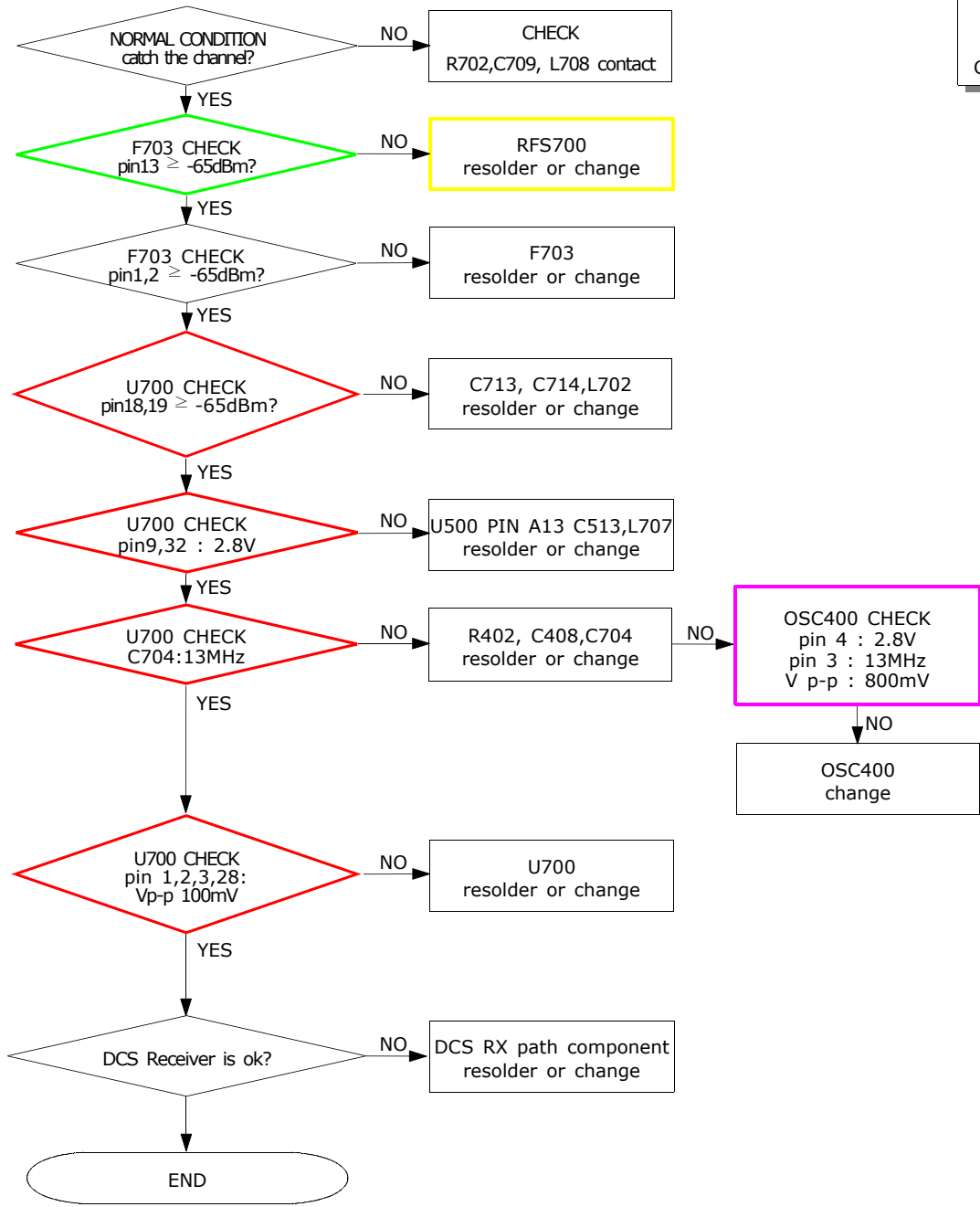
2-2-1. GSM Receiver

CONTINUOS RX ON
 RF INPUT : 62CH
 Cell power : -50dBm



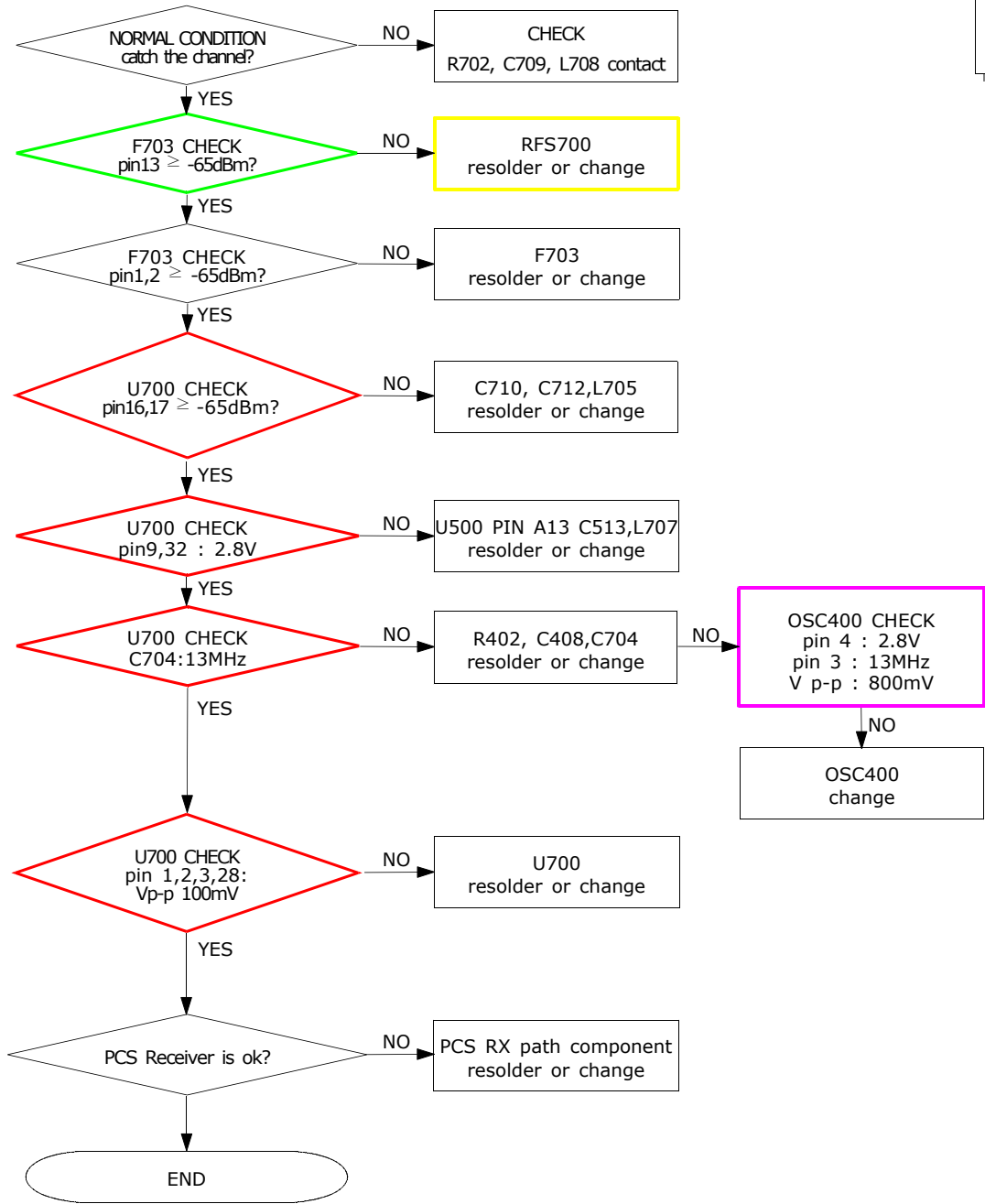
2-2-2. DCS Receiver

CONTINUOUS RX ON
RF INPUT : 698CH
Cell power : -50dBm

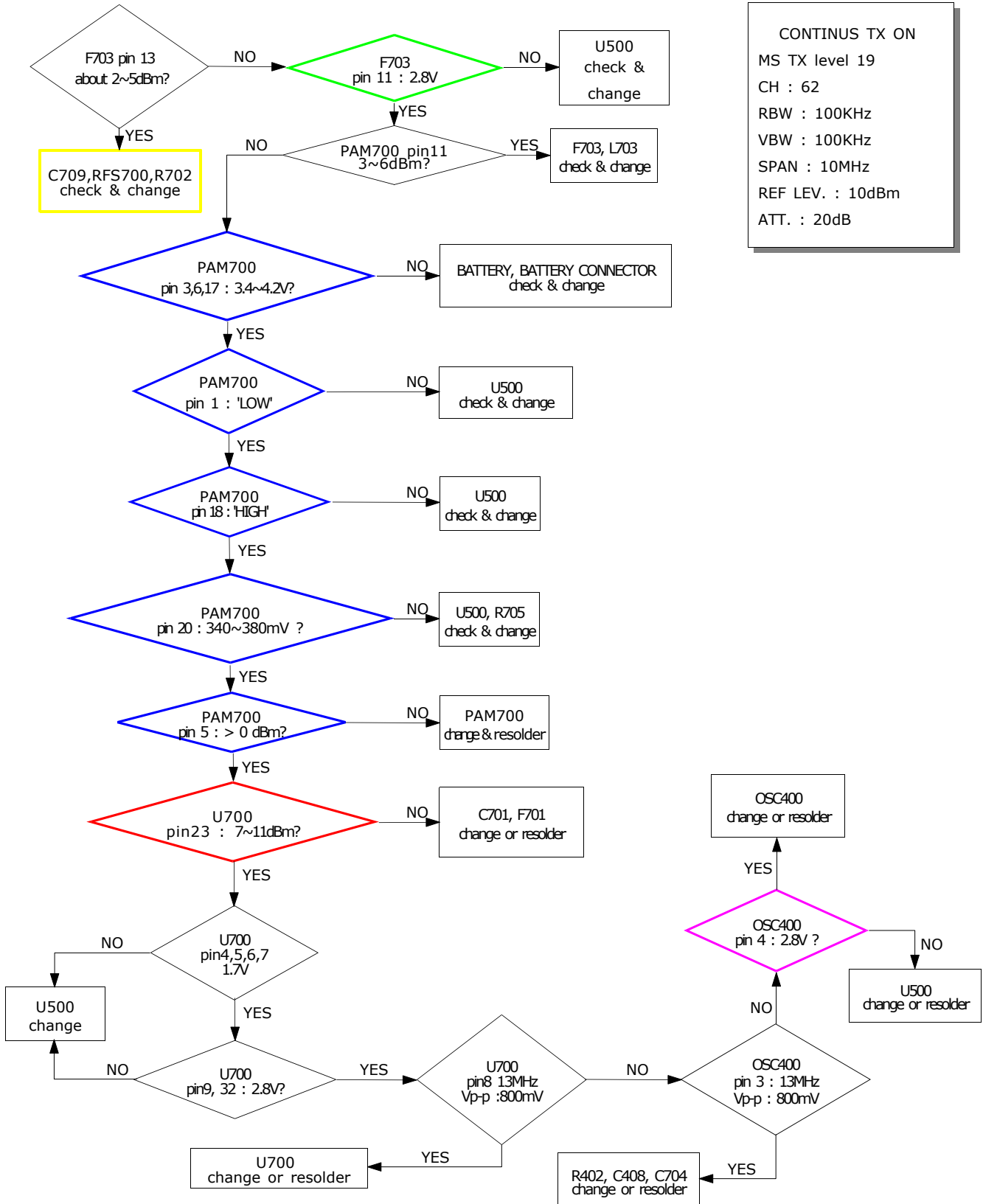


2-2-3. PCS Receiver

CONTINUOUS RX ON
RF INPUT : 661CH
Cell power : -50dBm



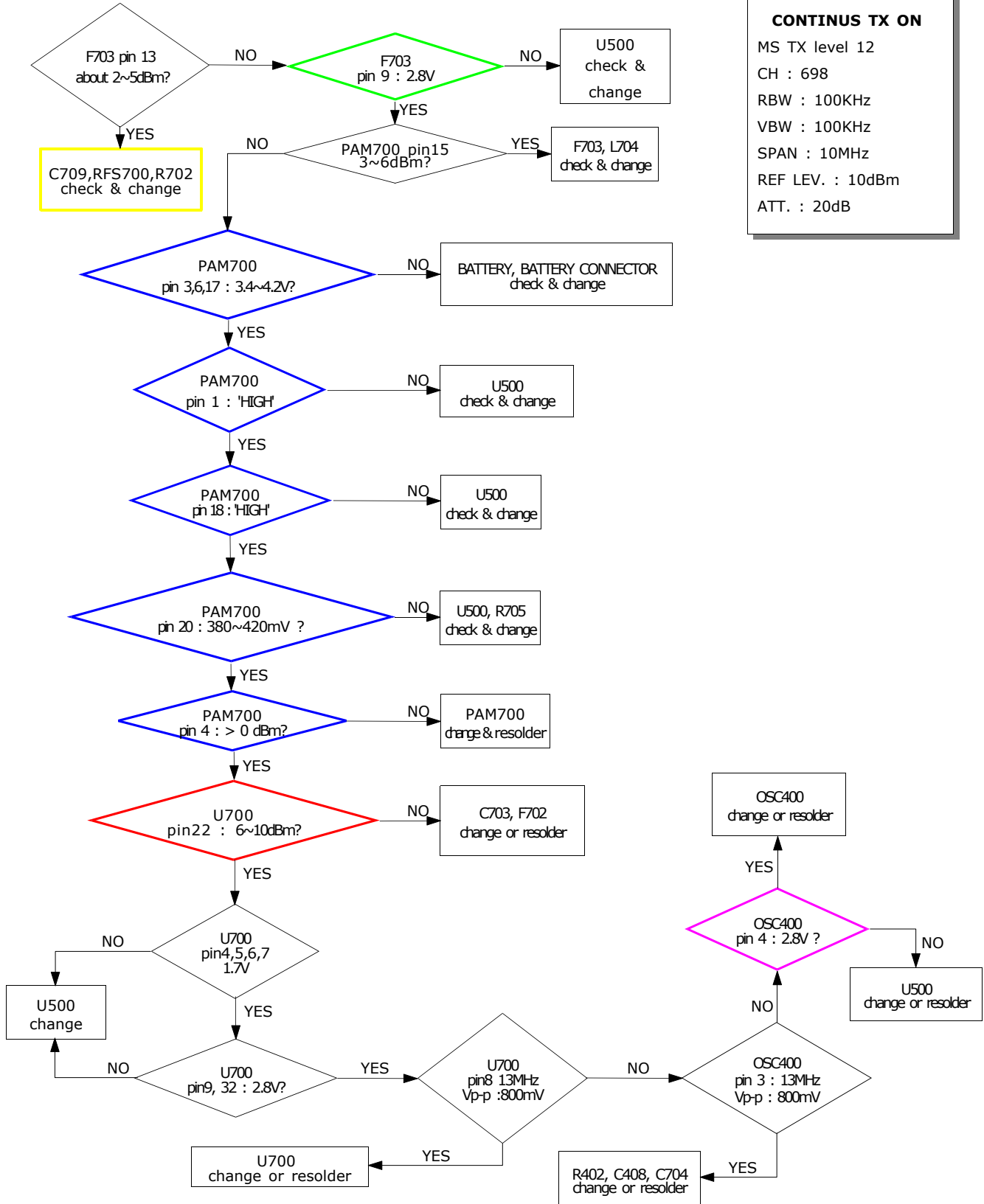
2-2-4. GSM Transmitter



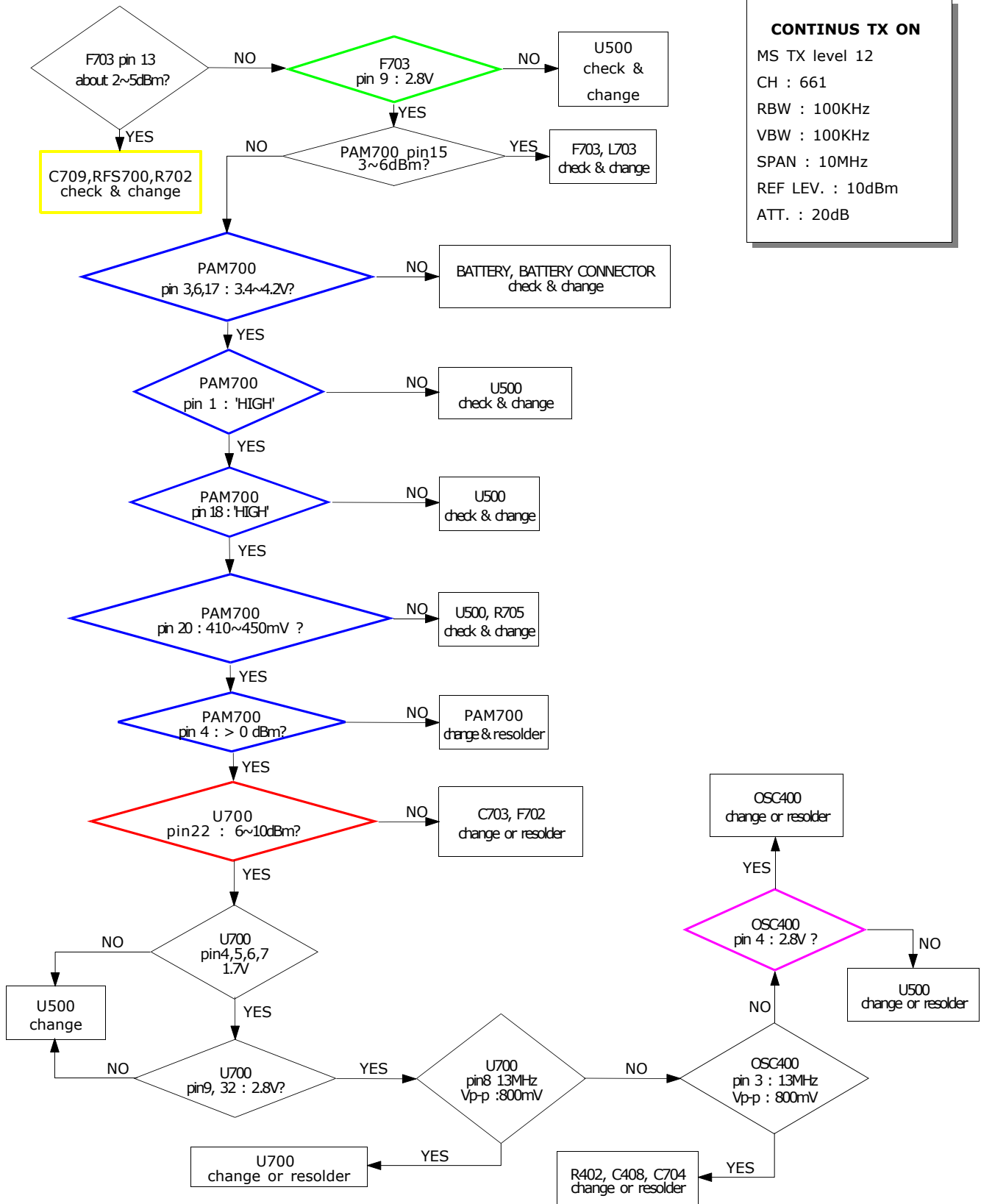
CONTINUS TX ON
 MS TX level 19
 CH : 62
 RBW : 100KHz
 VBW : 100KHz
 SPAN : 10MHz
 REF LEV. : 10dBm
 ATT. : 20dB

2-2-5. DCS Transmitter

CONTINUS TX ON
 MS TX level 12
 CH : 698
 RBW : 100KHz
 VBW : 100KHz
 SPAN : 10MHz
 REF LEV. : 10dBm
 ATT. : 20dB



2-2-6. PCS Transmitter

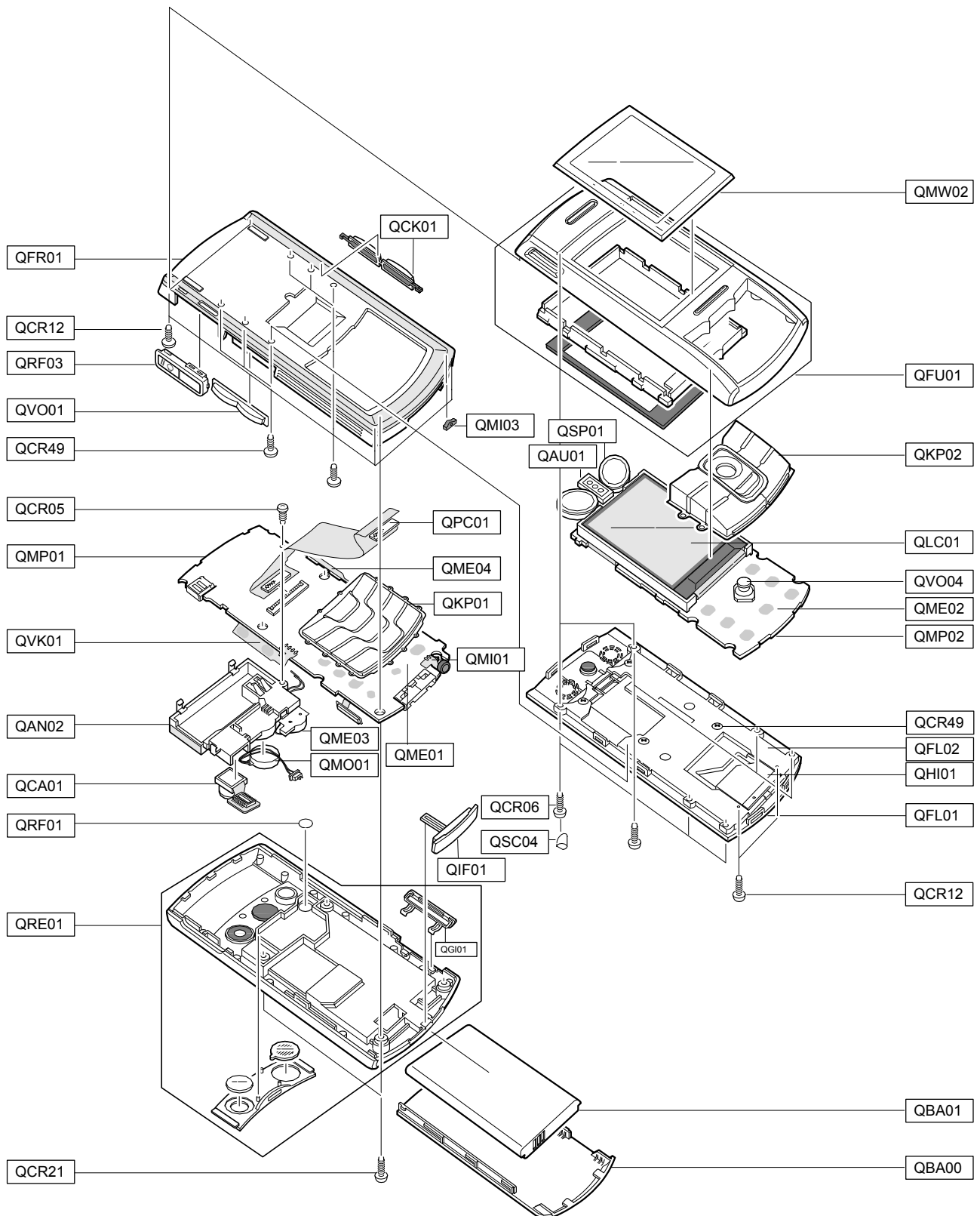


CONTINUS TX ON
 MS TX level 12
 CH : 661
 RBW : 100KHz
 VBW : 100KHz
 SPAN : 10MHz
 REF LEV. : 10dBm
 ATT. : 20dB



3. SGH-D720 Exploded View and Parts List

3-1. Cellular phone Exploded View



3-2. Cellular phone Parts list

Location No		Description	Sec Code
QAN02		ANTENNA-SGHD720;020360098-3124,SGH-D	GH42-00654A
QAU01		AUDIO-RECEIVER;32ohm,111dB±2dB,11X6	3009-001113
QBA00		PMO-BATTERY COVER;SGH-D720,PC,BLK,-,	GH72-20970A
QBA01		BATTERY-800MAH,BLK,ENG,M;BST3108BE,S	GH43-01850A
QCA01		UNIT-CAMERA;SGH-D720,IC03063AA,-,EU,	GH59-02144A
QCK01		MEC-KEY CAM/POW;SGH-D720,OPEN,-,-,-,	GH75-06723A
QCR05		SCREW-MACHINE;PH,+,M1.4,L3,ZPC(BLK),	6001-001478
QCR06		SCREW-MACHINE;PH(PI2.5),+,M1.4,L3.5,	6001-001155
QCR21		SCREW-MACHINE;BH(1.0),+,M1.7,L3.5,BL	6001-001507
QCR49		SCREW-MACHINE;CH,+,M1.4,L2,NI PLT,SW	6001-001823
QIF01		PMO-IF COVER;SGH-D720,PC+URETHAN,BLK	GH72-20974A
QKP01		MEC-KEYPAD MAIN;SGH-D720,OPEN,-,-,-,	GH75-06725A
QLC01		LCD-MAIN LCD;LTS190QC-F0K,SGH-D720,1	GH07-00676A
QME01		UNIT-METAL DOME(MAIN);SGH-D720,SGH-D	GH59-02150A
QME02		UNIT-METAL DOME(SLIDE);SGH-D720,SGH-	GH59-02152A
QME03		UNIT-FLASH FPC;SGH-D720,CPL-P3,-,EU,	GH59-02211A
QME04		UNIT-KEY CAM/PRO;SGH-D720,SGH-D720 C	GH59-02149A
QMI01		MICROPHONE-ASSY;2,130~500uA,-44dB±3	GH30-00196A
QMO01		MOTOR DC-SGHZ130;DMJBRK20BF,SGH-Z130	GH31-00153M
QMP01		PBA MAIN-SGHD720;SGH-D720,XEG,GERM,P	GH92-02086A
QMW02		PMO-MAIN WINDOW;SGH-D720,ACRYL,-,36.	GH72-22507A
QPC01		PCB-FPCB;SGH-D720,POLYIMIDE,3L,-,1.00	GH41-00866A
QKP02		MEC-KEYPAD SUB;SGH-D720,OPEN,-,-,-,-	GH75-06724A
QMP02		PBA MAIN-SGHD720 LCD;SGH-D720,XEF,FR	GH92-02125A
QRF01		MPR-TAPE RF COVER;SGH-D720,3M9495LE,	GH74-15194A
QRF03		MEC-EAR JACK COVER;SGH-D720,OPEN,-,-	GH75-06721A
QSC04		PMO-SCREW HOLE CAP L/R;SGH-D720,POLY	GH72-22890A
QSP01		SPEAKER;0.5W,8ohm,86dB±2dB,900Hz ±	3001-001785
QVK01		UNIT-VOLUME KEY;SGH-D720,SGH-D720 V/	GH59-02151A
QVO01		MEC-KEY VOLUME;SGH-D720,OPEN,-,-,-,-	GH75-06722A
QVO04		PMO-JOG KEY V2;SGH-D720,ABS,NATURAL,	GH72-22126A
QFU01		MEC-SLIDE UPPER;SGH-D720,OPEN,-,-,-,-	GH75-06712A
	QCR12	SCREW-MACHINE;PH,+,M1.4,L2.5,ZPC(BLK	6001-001530
QFL01		MEC-MEC-SLIDE LOWER;SGH-D720,OPEN,-,	GH75-06716A
	QCR12	SCREW-MACHINE;PH,+,M1.4,L2.5,ZPC(BLK	6001-001530
	QCR49	SCREW-MACHINE;CH,+,M1.4,L2,NI PLT,SW	6001-001823
	QHI01	MEC-HINGE;SGH-D720,OPEN,-,-,-,-,EU,-	GH75-06717A
	QFL02	MEC-SLIDE LOWER;SGH-D720,OPEN,-,-,-,-	GH75-06718A
QFR01		MEC-FRONT COVER;SGH-D720,OPEN,-,-,-,-	GH75-06719A
	QCR12	SCREW-MACHINE;PH,+,M1.4,L2.5,ZPC(BLK	6001-001530
	QMI03	RMO-MIC HOLDER RFONT;SGH-D720,URETHA	GH73-04818A
QRE01		MEC-REAR COVER;SGH-D720,OPEN,-,-,-,-	GH75-06720A
	QGI01	MEC-MMC CARD COVER;SGH-D720,SEC,PC,-	GH75-07808A

Description	Sec Code
IC-MEMORY CARD;MC12S0644BCA,64MByte,	1109-001329
CONNECTOR-ADAPTOR;9P,-,C-ALLOY,AU	3719-001343
BAG PE;LDPE,T0.05,W80,L180,TRP,-,-	6902-000634
BAG ZIPPER;LDPE,T0.05,W60,L60,TRP,-,-	6902-000683
CBF INTERFACE-PC DATA CABLE;SGH-Z110	GH39-00326A
CHARGER-SGHZ500 TC;TCH137EBE,SGH-Z50	GH44-01007A
S/W UTILITY-SGHD720 MASTER CD;SGH-D7	GH46-00154A
S/W CD-USER MANUAL GUIDE;SGH-D720,SG	GH46-00164A
UNIT-EARPHONE;SGH-C230,EM-SS550E-STB	GH59-02166A
LABEL(P)-WATER SOAK;COMM,NORGE,100G,	GH68-02026A
MANUAL-WEEE CARD;COMM,SEC,ENGLISH,UN	GH68-07013A
LABEL(R)-MAIN EU;SGH-D720,EU,MAT,T0.	GH68-07462A
MANUAL-QRG;SGH-D720,XEG,GERMAN,GERM,	GH68-07771A
BOX(P)-UNIT MAIN EU;SGH-D720,SC300+F	GH69-03083A
CUSHION-CASE (EU);SGH-D720,HIPS,T1.0	GH69-03084A
MPR-CUSHION EAR-JACK;SGH-D720,CR RUB	GH74-15199A
MPR-LCD INSULATION TAPE;SGH-D720,3M8	GH74-15262A
MPR-SHIELD EAR JACK;SGH-D720,CFPWX29	GH74-15264A
MPR-SHIELD MAIN FPCB;SGH-D720,CT20GW	GH74-15270A
MPR-TAPE SUB PCB BOTTOM;SGH-D720,CFP	GH74-16990A
MPR-TAPE SUB DOME TOP;SGH-D720,CFPWX	GH74-16991A
MPR-TAPE MAIN DOME TOP;SGH-D720,CFPW	GH74-16992A
MPR-TAPE MMC SOCKET;SGH-D720,CFPWX29	GH74-16993A
MPR-TAPE MIC SOLDER;SGH-D720,SONY930	GH74-17521A
MPR-BOHO VINYL SLIDER;SGH-D720,ST-55	GH74-17523A
MPR-TAPE SUB CONN TOP;SGH-D720,3M 85	GH74-17805A
MPR-TAPE MAIN CONN TOP;SGH-D720,3M 8	GH74-17806A
MPR-TAPE FPCB ADHESION;SGH-D720,DTD2	GH74-17807A
MPR-BOHO VINYL MAIN WIN;SGH-D720,STA	GH74-17811A
MPR-BOHO VINYL REAR DECO;SGH-D720,ST	GH74-18070A

3-3. Test Jig (GH80-03309A)



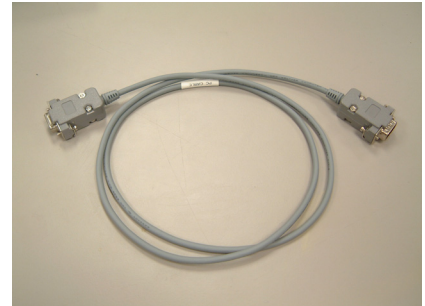
3-3-1. RF Cable
(GH39-00397A)



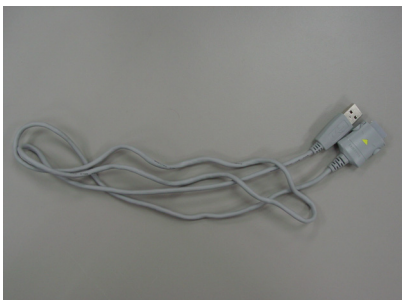
3-3-2. Test Cable
(GH39-00414A)



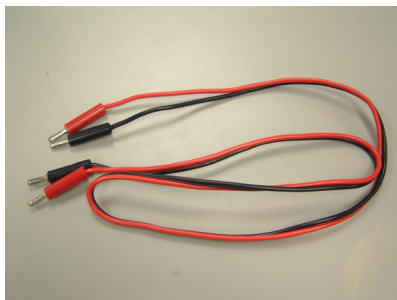
3-3-3. Serial Cable



3-3-4. DATA Cable
(GH39-00326A)



3-3-5. Power Supply Cable



3-3-6. TC
(GH44-00701A)



4. SGH-D720 MAIN Electrical Parts List

4-1. Main Parts List

SEC Code	Design LOC	Discription
6001-001507		SCREW-MACHINE
GH39-00326A		CBF INTERFACE-PC DATA CABLE
GH43-01850A		BATTERY-800MAH,BLK,ENG,M
GH44-00701A		CHARGER-TCH
GH46-00154A		S/W UTILITY-SGHD720 Master CD
GH46-00164A		S/W CD-USER MANUAL GUIDE
GH59-01543A		UNIT-EARPHONE
GH72-20970A		PMO-BATTERY COVER
GH72-20974A		PMO-IF COVER
GH74-15194A		MPR-TAPE RF COVER
GH74-15207A		MPR-BOHO VINYL WINDOW
GH91-01418A		ASSY BASIC-SGHD720(BLACK)
6001-001155		SCREW-MACHINE
6001-001823		SCREW-MACHINE
GH72-22890A		PMO-SCREW HOLE CAP L/R
GH74-15209A		MPR-BOHO VINYL UPPER
GH74-15265A		MPR-CONN INSULATION TAPE
GH74-15270A		MPR-SHIELD MAIN FPCB
GH75-06720A		MEC-REAR COVER
GH68-02026A		LABEL(P)-WATER SOAK
GH72-20956A		PMO-REAR COVER
GH72-20959A		PMO-REAR SIDE DUMMY L
GH72-20960A		PMO-REAR SIDE DUMMY R
GH72-20969A		PMO-FLASH LENS
GH72-21921A		PMO-CAMERA DECO
GH72-22508A		PMO-CAMERA WINDOW
GH74-15191A		MPR-TAPE CAMERA WINDOW
GH74-15192A		MPR-TAPE FLASH LENS
GH74-15193A		MPR-TAPE CAMERA DECO
GH74-15196A		MPR-CUSHION MOTOR
GH74-15197A		MPR-CUSHION CAMERA CONN
GH74-15198A		MPR-CUSHION CAMERA
GH74-15200A		MPR-CUSHION MIC
GH74-15202A		MPR-CUSHION REAR B
GH74-15206A		MPR-BOHO VINYL REAR
GH74-15266A		MPR-SHIELD REAR BOTTOM
GH74-15599A		MPR-TAPE REAR TOP L
GH74-15600A		MPR-TAPE REAR TOP R
GH74-15601A		MPR-TAPE REAR MID L

SEC Code	Design LOC	Discription
2203-005288	C727	C-CER,CHIP
2203-005288	C916	C-CER,CHIP
2203-005480	C424	C-CER,CHIP
2203-005482	C202	C-CER,CHIP
2203-005482	C204	C-CER,CHIP
2203-005482	C242	C-CER,CHIP
2203-005482	C243	C-CER,CHIP
2203-005482	C302	C-CER,CHIP
2203-005482	C732	C-CER,CHIP
2203-005682	C133	C-CER,CHIP
2203-005682	C716	C-CER,CHIP
2203-005682	C726	C-CER,CHIP
2203-005725	C422	C-CER,CHIP
2203-005725	C423	C-CER,CHIP
2203-005736	C522	C-CER,CHIP
2203-005736	C728	C-CER,CHIP
2203-005736	C729	C-CER,CHIP
2203-005736	C730	C-CER,CHIP
2203-005806	C103	C-CER,CHIP
2203-005806	C107	C-CER,CHIP
2203-005806	C111	C-CER,CHIP
2203-005806	C115	C-CER,CHIP
2203-005806	C120	C-CER,CHIP
2203-005806	C807	C-CER,CHIP
2203-005808	C604	C-CER,CHIP
2203-006053	C702	C-CER,CHIP
2203-006105	C617	C-CER,CHIP
2203-006105	C618	C-CER,CHIP
2203-006108	C514	C-CER,CHIP
2203-006108	C515	C-CER,CHIP
2203-006108	C516	C-CER,CHIP
2203-006108	C518	C-CER,CHIP
2203-006108	C801	C-CER,CHIP
2203-006108	C802	C-CER,CHIP
2203-006108	C803	C-CER,CHIP
2203-006108	C818	C-CER,CHIP
2203-006141	C814	C-CER,CHIP
2203-006194	C125	C-CER,CHIP
2203-006194	C238	C-CER,CHIP

SGH-D720 Electrical Parts List

SEC Code	Design LOC	Discription
GH74-15602A		MPR-TAPE REAR MID R
GH74-15603A		MPR-TAPE REAR BOTTOM L
GH74-15604A		MPR-TAPE REAR BOTTOM R
GH74-15606A		MPR-TAPE MMC MAGNETCOVER
GH74-16353A		MPR-CUSHION REAR SIM
GH74-16354A		MPR-CUSHION REAR FLASH
GH75-07808A		MEC-MMC CARD COVER
GH72-20975A		PMO-S CARD COVER
GH74-15605A		MPR-TAPE MMC MAGNET
GH75-06721A		MEC-JACK COVER
GH72-20965A		PMO-EAR JACK COVER
GH72-20966A		PMO-EAR JACK DUMMY
GH72-20967A		PMO-EAR JACK FRAME
GH72-20968A		PMO-EAR JACK HOLDER
GH75-06722A		MEC-KEY VOLUME
GH72-21026A		PMO-KEY VOLUME
GH73-04481A		RMO-RUBBER KEY VOLUME
GH75-06723A		MEC-KEY CAM/POW
GH72-21025A		PMO-KEY CAM/POW
GH73-04482A		RMO-RUBBER KEY CAM/POW
GH92-02086A		PBA MAIN-SGHD720
0403-001387	ZD601	DIODE-ZENER
0403-001427	ZD302	DIODE-ZENER
0403-001547	ZD300	DIODE-ZENER
0406-001190	ZD301	DIODE-TVS
0406-001201	ZD303	DIODE-TVS
0406-001201	ZD304	DIODE-TVS
0406-001203	D201	DIODE-TVS
0406-001203	D202	DIODE-TVS
0406-001203	D203	DIODE-TVS
0406-001203	D204	DIODE-TVS
0407-000115	D800	DIODE-ARRAY
0407-001002	D100	DIODE-ARRAY
0407-001002	D600	DIODE-ARRAY
0407-001002	D601	DIODE-ARRAY
0407-001038	U304	DIODE-ARRAY
0501-002202	Q301	TR-SMALL SIGNAL
0501-002202	Q302	TR-SMALL SIGNAL
0504-001113	Q303	TR-DIGITAL
0504-001113	TR101	TR-DIGITAL

SEC Code	Design LOC	Discription
2203-006194	C239	C-CER,CHIP
2203-006194	C400	C-CER,CHIP
2203-006194	C401	C-CER,CHIP
2203-006194	C402	C-CER,CHIP
2203-006194	C405	C-CER,CHIP
2203-006194	C408	C-CER,CHIP
2203-006194	C409	C-CER,CHIP
2203-006194	C411	C-CER,CHIP
2203-006194	C412	C-CER,CHIP
2203-006194	C413	C-CER,CHIP
2203-006194	C414	C-CER,CHIP
2203-006194	C417	C-CER,CHIP
2203-006194	C419	C-CER,CHIP
2203-006194	C444	C-CER,CHIP
2203-006194	C446	C-CER,CHIP
2203-006194	C501	C-CER,CHIP
2203-006194	C504	C-CER,CHIP
2203-006194	C805	C-CER,CHIP
2203-006194	C806	C-CER,CHIP
2203-006194	C810	C-CER,CHIP
2203-006201	C512	C-CER,CHIP
2203-006201	C517	C-CER,CHIP
2203-006208	C513	C-CER,CHIP
2203-006257	C906	C-CER,CHIP
2203-006260	C205	C-CER,CHIP
2203-006260	C206	C-CER,CHIP
2203-006260	C226	C-CER,CHIP
2203-006260	C232	C-CER,CHIP
2203-006260	C404	C-CER,CHIP
2203-006260	C416	C-CER,CHIP
2203-006324	C303	C-CER,CHIP
2203-006324	C811	C-CER,CHIP
2203-006324	C903	C-CER,CHIP
2203-006324	C904	C-CER,CHIP
2203-006399	C104	C-CER,CHIP
2203-006399	C109	C-CER,CHIP
2203-006399	C118	C-CER,CHIP
2203-006399	C129	C-CER,CHIP
2203-006399	C207	C-CER,CHIP
2203-006399	C208	C-CER,CHIP

SEC Code	Design LOC	Discription
0504-001113	TR500	TR-DIGITAL
0504-001113	TR602	TR-DIGITAL
0504-001113	TR603	TR-DIGITAL
0504-001176	U610	TR-DIGITAL
0505-001165	TR600	FET-SILICON
0505-001217	Q304	FET-GAAS
0601-002053	LED301	LED
0601-002053	LED302	LED
0601-002053	LED303	LED
0601-002053	LED304	LED
0601-002053	LED305	LED
0601-002053	LED306	LED
0601-002053	LED307	LED
0601-002053	LED308	LED
0601-002053	LED309	LED
0601-002053	LED310	LED
0801-002529	U307	IC-CMOS LOGIC
0801-002882	U103	IC-CMOS LOGIC
0904-001916	UCP100	IC-DSP
1001-001193	U204	IC-ANALOG SWITCH
1001-001261	U201	IC-ANALOG SWITCH
1001-001306	U205	IC-ANALOG MULTIPLEX
1009-001018	U302	IC-HALL EFFECT S/W
1108-000010	UME400	IC-MCP
1108-000014	UME100	IC-MCP
1201-002218	PAM700	IC-POWER AMP
1203-002874	U605	IC-MULTI REG.
1203-002976	U104	IC-VOL. DETECTOR
1203-003046	U803	IC-BATTERY
1203-003304	U500	IC-POWER SUPERVISOR
1203-003531	U802	IC-POSI.FIXED REG.
1203-003612	U604	IC-DC/DC CONVERTER
1203-003748	U603	IC-MULTI REG.
1203-003768	U609	IC-POSI.FIXED REG.
1203-003769	U601	IC-POSI.FIXED REG.
1203-003790	U606	IC-VOL. DETECTOR
1205-002433	U700	IC-TRANSCEIVER
1205-002624	U900	IC-DATA COMM./GEN.
1205-002719	UCD203	IC-CODEC
1209-001219	U402	IC-SENSOR

SEC Code	Design LOC	Discription
2203-006399	C217	C-CER,CHIP
2203-006399	C245	C-CER,CHIP
2203-006399	C247	C-CER,CHIP
2203-006399	C253	C-CER,CHIP
2203-006399	C521	C-CER,CHIP
2203-006399	C812	C-CER,CHIP
2203-006399	C905	C-CER,CHIP
2203-006423	C101	C-CER,CHIP
2203-006423	C102	C-CER,CHIP
2203-006423	C105	C-CER,CHIP
2203-006423	C106	C-CER,CHIP
2203-006423	C108	C-CER,CHIP
2203-006423	C110	C-CER,CHIP
2203-006423	C112	C-CER,CHIP
2203-006423	C113	C-CER,CHIP
2203-006423	C114	C-CER,CHIP
2203-006423	C116	C-CER,CHIP
2203-006423	C117	C-CER,CHIP
2203-006423	C119	C-CER,CHIP
2203-006423	C126	C-CER,CHIP
2203-006423	C128	C-CER,CHIP
2203-006423	C134	C-CER,CHIP
2203-006423	C406	C-CER,CHIP
2203-006423	C441	C-CER,CHIP
2203-006423	C442	C-CER,CHIP
2203-006423	C443	C-CER,CHIP
2203-006423	C445	C-CER,CHIP
2203-006423	C502	C-CER,CHIP
2203-006423	C505	C-CER,CHIP
2203-006423	C519	C-CER,CHIP
2203-006423	C520	C-CER,CHIP
2404-001105	C201	C-TA,CHIP
2404-001105	C203	C-TA,CHIP
2404-001151	C222	C-TA,CHIP
2404-001151	C223	C-TA,CHIP
2404-001225	C813	C-TA,CHIP
2404-001225	C816	C-TA,CHIP
2404-001225	C819	C-TA,CHIP
2404-001274	C307	C-TA,CHIP
2404-001274	C601	C-TA,CHIP

SGH-D720 Electrical Parts List

SEC Code	Design LOC	Discription
1209-001585	U303	IC-SENSOR
1405-001082	V201	VARISTOR
1405-001082	V202	VARISTOR
1405-001082	V300	VARISTOR
1405-001082	V301	VARISTOR
1405-001082	V302	VARISTOR
1405-001082	V303	VARISTOR
1405-001082	V304	VARISTOR
1405-001082	V305	VARISTOR
1405-001082	V306	VARISTOR
1405-001082	V309	VARISTOR
1405-001082	V310	VARISTOR
1405-001082	V311	VARISTOR
1405-001082	V316	VARISTOR
1405-001082	VR200	VARISTOR
1405-001138	V312	VARISTOR
1405-001138	V313	VARISTOR
1405-001138	V314	VARISTOR
1405-001138	V315	VARISTOR
2007-000138	R402	R-CHIP
2007-000138	R810	R-CHIP
2007-000141	R812	R-CHIP
2007-000141	R814	R-CHIP
2007-000142	R329	R-CHIP
2007-000142	R406	R-CHIP
2007-000143	R807	R-CHIP
2007-000148	R335	R-CHIP
2007-000148	R609	R-CHIP
2007-000148	R809	R-CHIP
2007-000148	R813	R-CHIP
2007-000152	R341	R-CHIP
2007-000161	R120	R-CHIP
2007-000162	R225	R-CHIP
2007-000162	R334	R-CHIP
2007-000162	R336	R-CHIP
2007-000162	R403	R-CHIP
2007-000162	R604	R-CHIP
2007-000162	R605	R-CHIP
2007-000162	R608	R-CHIP
2007-000162	R804	R-CHIP

SEC Code	Design LOC	Discription
2404-001274	C602	C-TA,CHIP
2404-001274	C723	C-TA,CHIP
2404-001339	C213	C-TA,CHIP
2404-001339	C218	C-TA,CHIP
2404-001339	C219	C-TA,CHIP
2404-001366	C211	C-TA,CHIP
2404-001366	C216	C-TA,CHIP
2404-001381	C311	C-TA,CHIP
2404-001381	C503	C-TA,CHIP
2404-001394	C252	C-TA,CHIP
2703-001724	L902	INDUCTOR-SMD
2703-001724	L903	INDUCTOR-SMD
2703-001907	L701	INDUCTOR-SMD
2703-002285	L600	INDUCTOR-SMD
2703-002320	L708	INDUCTOR-SMD
2703-002369	L704	INDUCTOR-SMD
2703-002547	L702	INDUCTOR-SMD
2703-002597	L706	INDUCTOR-SMD
2703-002665	L705	INDUCTOR-SMD
2801-004189	OSC901	CRYSTAL-SMD
2801-004318	OSC100	CRYSTAL-SMD
2801-004373	OSC101	CRYSTAL-SMD
2801-004373	OSC401	CRYSTAL-SMD
2809-001284	OSC400	OSCILLATOR-VCTCXO
2901-001308	F801	FILTER-EMI SMD
2901-001308	F802	FILTER-EMI SMD
2901-001308	F803	FILTER-EMI SMD
2901-001308	F804	FILTER-EMI SMD
2901-001308	F805	FILTER-EMI SMD
2901-001308	F806	FILTER-EMI SMD
2911-000003	F703	DUPLEXER-FEM
3301-001208	F100	BEAD-SMD
3301-001208	F101	BEAD-SMD
3301-001208	F600	BEAD-SMD
3301-001208	L102	BEAD-SMD
3301-001208	L707	BEAD-SMD
3301-001438	L101	BEAD-SMD
3301-001438	L401	BEAD-SMD
3301-001438	L801	BEAD-SMD
3301-001534	F301	BEAD-SMD

SEC Code	Design LOC	Discription
2007-000167	R144	R-CHIP
2007-000171	R219	R-CHIP
2007-000171	R236	R-CHIP
2007-000171	R239	R-CHIP
2007-000171	R248	R-CHIP
2007-000171	R249	R-CHIP
2007-000171	R250	R-CHIP
2007-000171	R261	R-CHIP
2007-000171	R262	R-CHIP
2007-000171	R351	R-CHIP
2007-000171	R352	R-CHIP
2007-000171	R353	R-CHIP
2007-000171	R354	R-CHIP
2007-000171	R355	R-CHIP
2007-000171	R356	R-CHIP
2007-000171	R702	R-CHIP
2007-000172	R101	R-CHIP
2007-000172	R102	R-CHIP
2007-000982	R331	R-CHIP
2007-001119	R259	R-CHIP
2007-001119	R260	R-CHIP
2007-001292	R305	R-CHIP
2007-001292	R313	R-CHIP
2007-001292	R316	R-CHIP
2007-001292	R318	R-CHIP
2007-001292	R322	R-CHIP
2007-001292	R324	R-CHIP
2007-001292	R325	R-CHIP
2007-001292	R326	R-CHIP
2007-001292	R327	R-CHIP
2007-001292	R328	R-CHIP
2007-001308	R242	R-CHIP
2007-001308	R245	R-CHIP
2007-001319	R501	R-CHIP
2007-001339	R224	R-CHIP
2007-002797	R407	R-CHIP
2007-003010	R803	R-CHIP
2007-007014	R337	R-CHIP
2007-007107	R226	R-CHIP
2007-007107	R231	R-CHIP

SEC Code	Design LOC	Discription
3301-001534	F304	BEAD-SMD
3301-001534	L400	BEAD-SMD
3705-001358	RFS700	CONNECTOR-COAXIAL
3708-002063	CN800	CONNECTOR-FPC/FFC/PIC
3709-001229	SIM500	CONNECTOR-CARD EDGE
3709-001374	CN302	CONNECTOR-CARD EDGE
3710-001105	CN802	CONNECTOR-SOCKET
3710-002239	CN301	CONNECTOR-SOCKET
3711-005296	CN801	CONNECTOR-HEADER
3711-005901	CN303	CONNECTOR-BATTERY
3722-002181	EAR200	JACK-EAR PHONE
4202-001050	AN900	ANTENNA-CHIP
4302-001130	BAT500	BATTERY-LI(2ND)
4709-001338	F900	BALUN
6001-001478		SCREW-MACHINE
GH09-00036A	UCP400	IC MICOM-SGHX480
GH30-00196A		MICROPHONE-ASSY
GH31-00153G		MOTOR DC-SGHZ130
GH41-00897A		PCB-SGHD720 MAIN
GH59-02144A		UNIT-CAMERA
GH59-02149A		UNIT-PROFILE KEY
GH59-02150A		UNIT-METAL DOME(MAIN)
GH59-02151A		UNIT-VOLUME KEY
GH59-02211A		UNIT-FLASH FPC
GH74-15199A		MPR-CUSHION EAR-JACK
GH74-15203A		MPR-CUSHION FLASH
GH74-15264A		MPR-SHIELD EAR JACK
GH75-06725A		MEC-KEYPAD MAIN
GH72-20981A		PMO-KEY NUM(2AS)
GH72-20982A		PMO-KEY NUM(134567890)
GH73-04479A		RMO-KEY BASE EF MAIN
GH97-04186A		MEA FRONT-COVER
3001-001785		SPEAKER
3009-001113		AUDIO-RECEIVER
GH07-00676A		LCD-MAIN LCD
GH41-00866A		PCB-FPCB
GH59-02152A		UNIT-METAL DOME(SLIDE)
GH75-06712A		MEC-SLIDE UPPER
6001-001530		SCREW-MACHINE
GH71-05298A		NDC-LCD BRACKET V2

SGH-D720 Electrical Parts List

SEC Code	Design LOC	Discription
2007-007142	R227	R-CHIP
2007-007142	R230	R-CHIP
2007-007142	R254	R-CHIP
2007-007142	R255	R-CHIP
2007-007489	R253	R-CHIP
2007-007489	R256	R-CHIP
2007-007528	R222	R-CHIP
2007-007528	R223	R-CHIP
2007-007528	R232	R-CHIP
2007-007528	R233	R-CHIP
2007-007573	R413	R-CHIP
2007-007573	R414	R-CHIP
2007-007698	R705	R-CHIP
2007-008045	R122	R-CHIP
2007-008052	R142	R-CHIP
2007-008052	R149	R-CHIP
2007-008055	R103	R-CHIP
2007-008055	R112	R-CHIP
2007-008055	R129	R-CHIP
2007-008055	R152	R-CHIP
2007-008055	R339	R-CHIP
2007-008055	R357	R-CHIP
2007-008055	R405	R-CHIP
2007-008055	R411	R-CHIP
2007-008055	R504	R-CHIP
2007-008419	R315	R-CHIP
2007-008419	R317	R-CHIP
2007-008419	R319	R-CHIP
2007-008419	R320	R-CHIP
2007-008419	R321	R-CHIP
2007-008419	R323	R-CHIP
2007-008483	R147	R-CHIP
2007-008483	R209	R-CHIP
2007-008483	R210	R-CHIP
2007-008483	R301	R-CHIP
2007-008483	R302	R-CHIP
2007-008483	R333	R-CHIP
2007-008483	R342	R-CHIP
2007-008483	R401	R-CHIP
2007-008483	R404	R-CHIP

SEC Code	Design LOC	Discription
GH72-20953A		PMO-SLIDE UPPER
GH72-20957A		PMO-S/UPPER DUMMY L
GH72-20958A		PMO-S/UPPER DUMMY R
GH72-20972A		PMO-SPK DUMMY L
GH72-20973A		PMO-SPK DUMMY R
GH72-20997A		PMO-EAR PIECE
GH72-22507A		PMO-MAIN WINDOW
GH73-04483A		RMO-UPPER GRIP
GH73-04916A		RMO-SPK CUSHION RUBBER L
GH73-04917A		RMO-SPK CUSHION RUBBER R
GH74-15179A		MPR-TAPE WINDOW
GH74-15180A		MPR-TAPE RECEIVER HOLE
GH74-15181A		MPR-DUAL SPK TAPE L
GH74-15182A		MPR-DUAL SPK TAPE R
GH74-15183A		MPR-SPK MESH TAPE L
GH74-15184A		MPR-SPK MESH TAPE R
GH74-15185A		MPR-UPPER DUM TAPE L TOP
GH74-15186A		MPR-UPPER DUM TAPE R TOP
GH74-15195A		MPR-CUSHION LCD
GH74-15204A		MPR-BOHO VINYL UPPER A
GH74-15205A		MPR-BOHO VINYL UPPER B
GH74-16355A		MPR-BOHO VINYL UPPER C
GH75-06716A		MEC-SLIDE LOWER HINGE
6001-001530		SCREW-MACHINE
6001-001823		SCREW-MACHINE
GH71-05066A		NPR-CAMERA MIRROR
GH72-20963A		PMO-S/LOWER BUSH BTM
GH72-20964A		PMO-FRONT COVER BUSH
GH72-23533A		PMO-SLIDE LOWER BUSH L
GH72-23534A		PMO-SLIDE LOWER BUSH R
GH74-05288A		MPR-TAPE MAGNETIC
GH74-05289A		MPR-TAPE MAGNETIC COVER
GH74-15190A		MPR-TAPE MIRROR
GH74-15208A		MPR-BOHO VINYL MIRROR
GH74-16352A		MPR-TAPE LOWER BUSH
GH75-06717A		MEC-HINGE
GH61-00119A		SPRING ETC-HINGE
GH70-00475A		IPR-HINGE SHAFT
GH70-00476A		IPR-HINGE GUIDE FRAME
GH71-05012A		NPR-SHAFT CONNECTOR

SEC Code	Design LOC	Discription
2007-008483	R410	R-CHIP
2007-008516	R107	R-CHIP
2007-008516	R108	R-CHIP
2007-008516	R109	R-CHIP
2007-008516	R110	R-CHIP
2007-008516	R111	R-CHIP
2007-008516	R118	R-CHIP
2007-008516	R143	R-CHIP
2007-008516	R150	R-CHIP
2007-008516	R332	R-CHIP
2007-008516	R338	R-CHIP
2007-008516	R415	R-CHIP
2007-008516	R425	R-CHIP
2007-008516	R502	R-CHIP
2007-008516	R503	R-CHIP
2007-008516	R904	R-CHIP
2007-008542	R125	R-CHIP
2007-008542	R128	R-CHIP
2007-008542	R130	R-CHIP
2007-008542	R340	R-CHIP
2007-008542	R416	R-CHIP
2007-008542	R417	R-CHIP
2007-008542	R615	R-CHIP
2007-008542	R808	R-CHIP
2007-008812	R145	R-CHIP
2007-009084	R113	R-CHIP
2007-009084	R114	R-CHIP
2007-009084	R408	R-CHIP
2011-001363	F701	R-NET
2011-001363	F702	R-NET
2203-000233	C305	C-CER,CHIP
2203-000233	C306	C-CER,CHIP
2203-000233	C308	C-CER,CHIP
2203-000233	C511	C-CER,CHIP
2203-000233	C704	C-CER,CHIP
2203-000233	C706	C-CER,CHIP
2203-000233	C708	C-CER,CHIP
2203-000233	C711	C-CER,CHIP
2203-000233	C719	C-CER,CHIP
2203-000233	C724	C-CER,CHIP

SEC Code	Design LOC	Discription
GH72-20978A		PMO-HINGE SPRING BUSH
GH72-20979A		PMO-HINGE RAIL
GH72-22116A		PMO-HINGE GULDE V2
GH75-06718A		MEC-SLIDE LOWER
GH72-20954A		PMO-SLIDE LOWER
GH74-16351A		MPR-TAPE MIRROR MASKING
GH75-06719A		MEC-FRONT COVER
6001-001530		SCREW-MACHINE
GH71-04879A		NDC-FRONT DUMMY
GH72-20955A		PMO-FRONT COVER
GH73-04818A		RMO-MIC HOLDER RFONT
GH74-15267A		MPR-F/DUMMY INSULATION
GH74-15268A		MPR-TAPE FRONT LEFT
GH74-15269A		MPR-TAPE FRONT RIGHT
GH75-06724A		MEC-KEYPAD SUB
GH72-20983A		PMO-KEY FUNC(S/E)
GH72-20984A		PMO-KEY DECO
GH72-20985A		PMO-KEY NAVI DECO
GH72-20986A		PMO-KEY FUNC(C/J)
GH72-20987A		PMO-KEY FUNC(M/O/A/CH)
GH73-04480A		RMO-KEY BASE EF SUB
GH92-02125A		PBA MAIN-SGHD720 LCD
0403-001446	ZD101	DIODE-ZENER
0404-001089	D101	DIODE-SCHOTTKY
0406-001190	ZD102	DIODE-TVS
0406-001190	ZD103	DIODE-TVS
0406-001190	ZD200	DIODE-TVS
0601-002053	LED101	LED
0601-002053	LED102	LED
0601-002053	LED103	LED
0601-002053	LED104	LED
0601-002053	LED105	LED
0601-002053	LED106	LED
0601-002053	LED107	LED
0601-002053	LED108	LED
1201-002241	U104	IC-AUDIO AMP
1203-002368	U101	IC-DC/DC CONVERTER
1203-003768	U103	IC-POSI.FIXED REG.
1405-001082	V110	VARISTOR
1405-001082	V112	VARISTOR

SGH-D720 Electrical Parts List

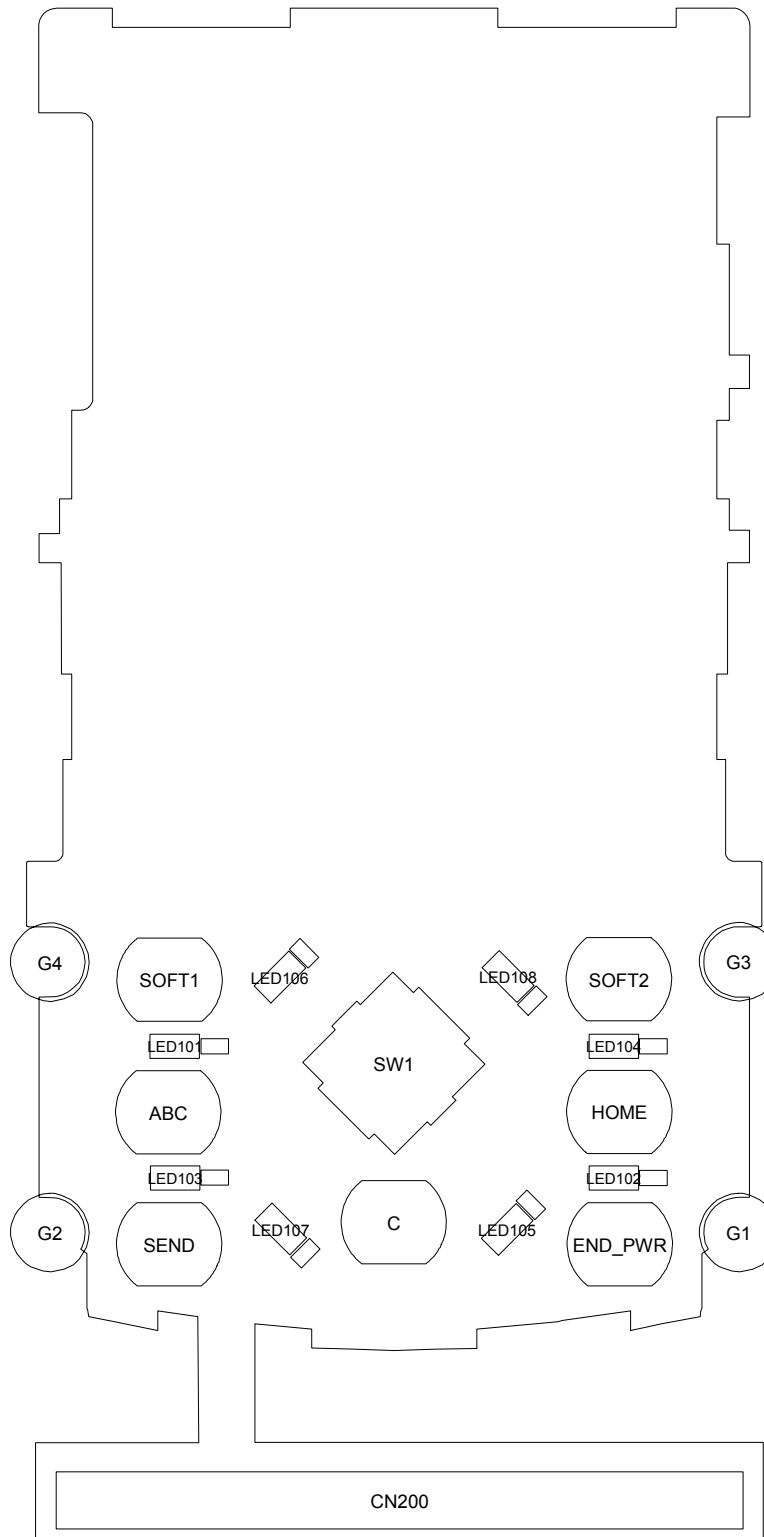
SEC Code	Design LOC	Discription
2203-000233	C910	C-CER,CHIP
2203-000254	C246	C-CER,CHIP
2203-000254	C720	C-CER,CHIP
2203-000254	C725	C-CER,CHIP
2203-000278	C131	C-CER,CHIP
2203-000278	C912	C-CER,CHIP
2203-000311	C731	C-CER,CHIP
2203-000386	C908	C-CER,CHIP
2203-000425	C911	C-CER,CHIP
2203-000438	C224	C-CER,CHIP
2203-000438	C235	C-CER,CHIP
2203-000438	C236	C-CER,CHIP
2203-000438	C248	C-CER,CHIP
2203-000438	C249	C-CER,CHIP
2203-000438	C418	C-CER,CHIP
2203-000438	C608	C-CER,CHIP
2203-000438	C609	C-CER,CHIP
2203-000438	C909	C-CER,CHIP
2203-000550	L703	C-CER,CHIP
2203-000604	C244	C-CER,CHIP
2203-000628	C121	C-CER,CHIP
2203-000628	C122	C-CER,CHIP
2203-000628	C130	C-CER,CHIP
2203-000628	C132	C-CER,CHIP
2203-000679	C410	C-CER,CHIP
2203-000696	C915	C-CER,CHIP
2203-000812	C228	C-CER,CHIP
2203-000812	C231	C-CER,CHIP
2203-000812	C234	C-CER,CHIP
2203-000812	C506	C-CER,CHIP
2203-000812	C509	C-CER,CHIP
2203-000812	C510	C-CER,CHIP
2203-000812	C703	C-CER,CHIP
2203-000812	C709	C-CER,CHIP
2203-000870	C123	C-CER,CHIP
2203-000870	C127	C-CER,CHIP
2203-000995	C701	C-CER,CHIP
2203-000995	C809	C-CER,CHIP
2203-001239	C233	C-CER,CHIP
2203-001385	C713	C-CER,CHIP

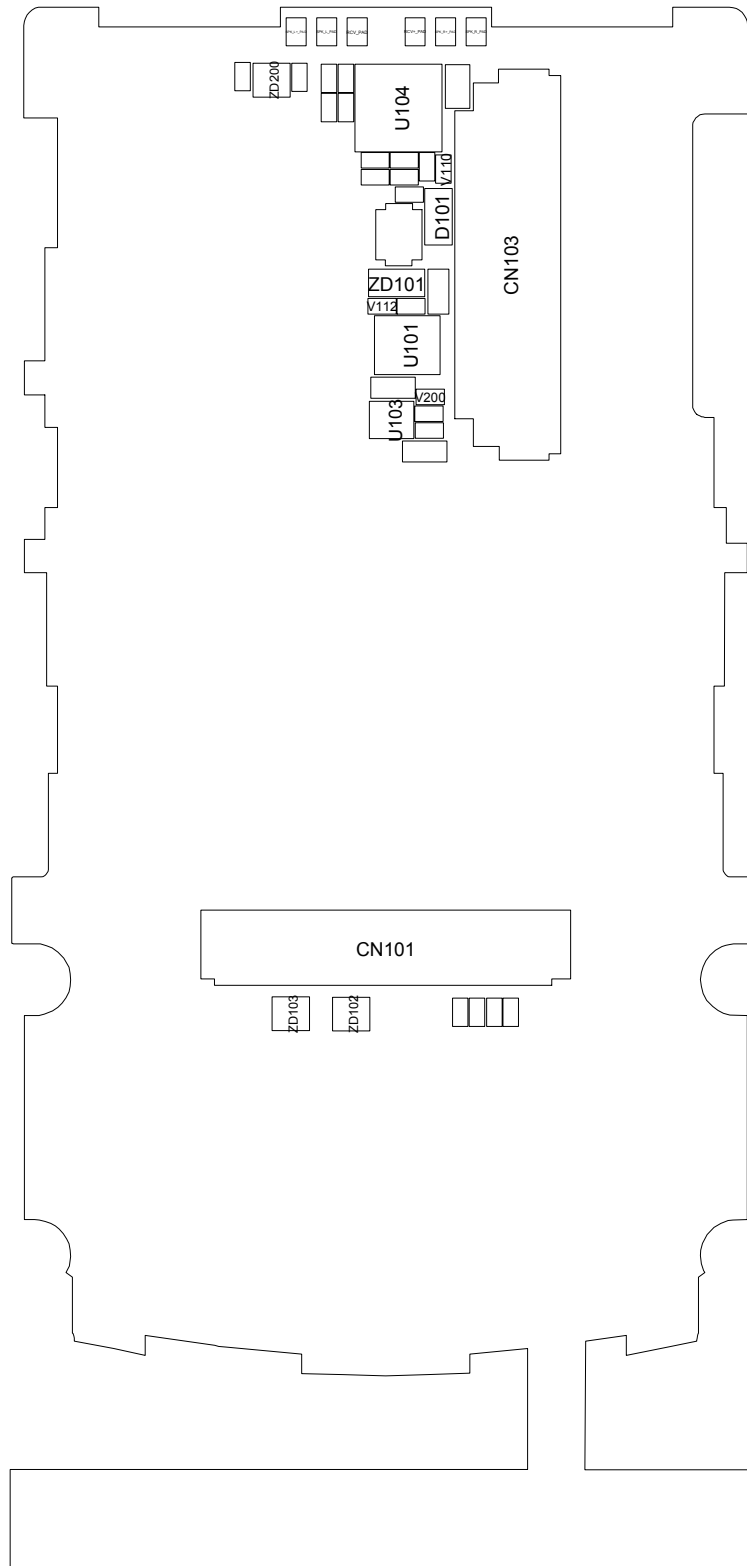
SEC Code	Design LOC	Discription
1405-001082	V200	VARISTOR
2007-000138	R105	R-CHIP
2007-000138	R106	R-CHIP
2007-000138	R107	R-CHIP
2007-000138	R108	R-CHIP
2007-000138	R109	R-CHIP
2007-000138	R110	R-CHIP
2007-000138	R111	R-CHIP
2007-000138	R112	R-CHIP
2007-007142	R201	R-CHIP
2007-007142	R203	R-CHIP
2007-007142	R214	R-CHIP
2007-007142	R215	R-CHIP
2007-007318	R114	R-CHIP
2203-000812	C209	C-CER,CHIP
2203-002443	C122	C-CER,CHIP
2203-005482	C101	C-CER,CHIP
2203-005482	C102	C-CER,CHIP
2203-005482	C109	C-CER,CHIP
2203-005482	C115	C-CER,CHIP
2203-006260	C200	C-CER,CHIP
2203-006260	C201	C-CER,CHIP
2203-006260	C202	C-CER,CHIP
2203-006260	C203	C-CER,CHIP
2203-006399	C204	C-CER,CHIP
2203-006399	C206	C-CER,CHIP
2203-006399	C207	C-CER,CHIP
2203-006399	C208	C-CER,CHIP
2404-001225	C205	C-TA,CHIP
2404-001339	C104	C-TA,CHIP
2404-001339	C105	C-TA,CHIP
2404-001339	C110	C-TA,CHIP
2703-002768	L101	INDUCTOR-SMD
3404-001268	SW1	SWITCH-TACT
3708-001834	CN103	CONNECTOR-FPC/FFC/PIC
3708-002063	CN101	CONNECTOR-FPC/FFC/PIC
GH41-00896A		PCB-SGHD720 LCD
GH72-22126A		PMO-JOG KEY V2
GH74-15262A		MPR-LCD INSULATION TAPE
GH74-15263A		MPR-SHIELD MAIN CONN

SEC Code	Design LOC	Discription
2203-001385	C714	C-CER,CHIP
2203-001405	C407	C-CER,CHIP
2203-001405	C705	C-CER,CHIP
2203-001598	C508	C-CER,CHIP
2203-005050	C710	C-CER,CHIP
2203-005050	C712	C-CER,CHIP
2203-005061	C304	C-CER,CHIP
2203-005061	C309	C-CER,CHIP
2203-005061	C310	C-CER,CHIP
2203-005061	C312	C-CER,CHIP
2203-005061	C507	C-CER,CHIP
2203-005061	C901	C-CER,CHIP
2203-005061	C902	C-CER,CHIP
2203-005065	C605	C-CER,CHIP
2203-005065	C606	C-CER,CHIP
2203-005065	C607	C-CER,CHIP
2203-005065	C610	C-CER,CHIP
2203-005065	C611	C-CER,CHIP
2203-005065	C613	C-CER,CHIP
2203-005065	C614	C-CER,CHIP
2203-005065	C615	C-CER,CHIP
2203-005288	C715	C-CER,CHIP
2203-005288	C722	C-CER,CHIP

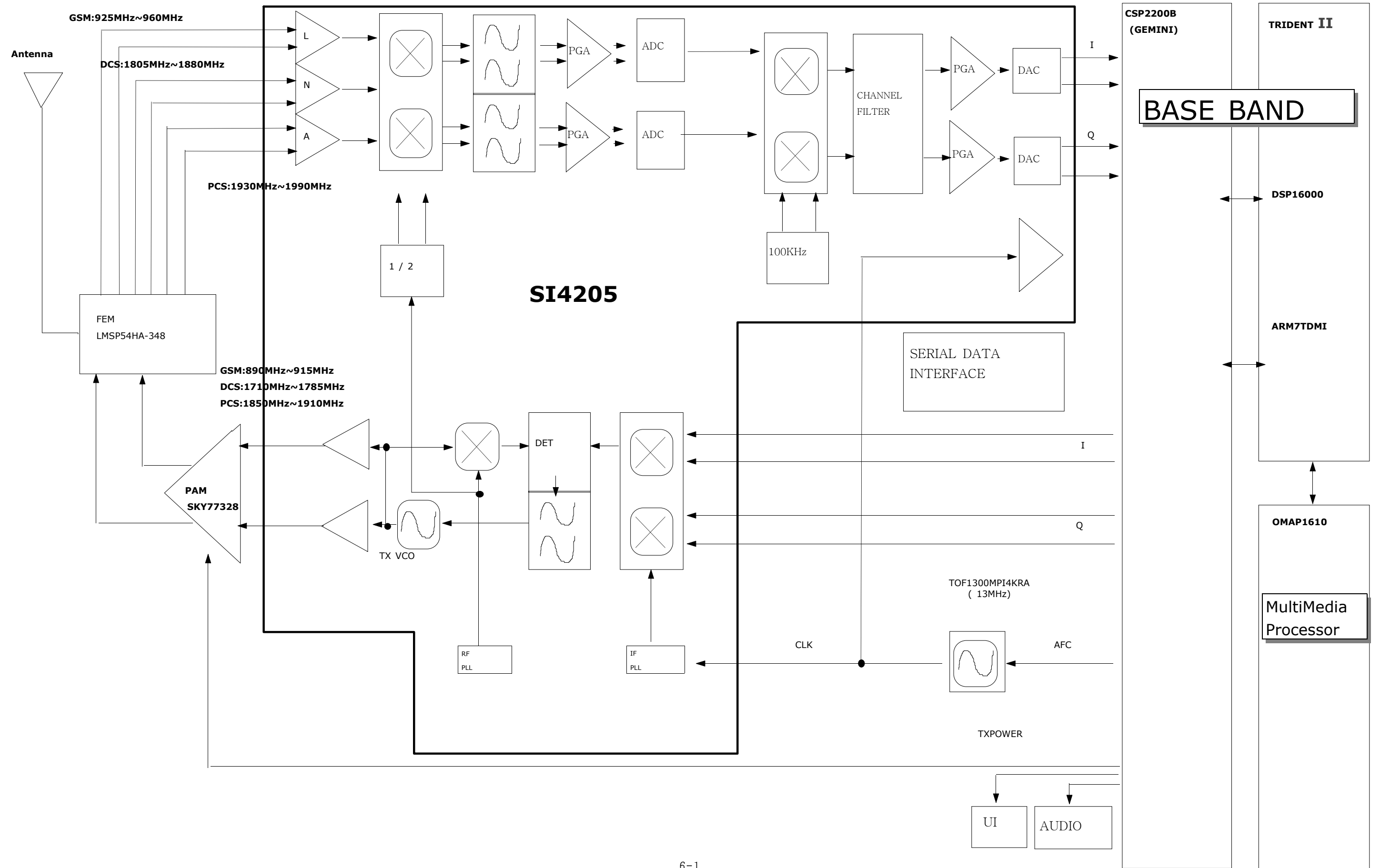
SEC Code	Design LOC	Discription
GH74-15265A		MPR-CONN INSULATION TAPE
GH74-15270A		MPR-SHIELD MAIN FPCB
GH74-15271A		MPR-TAPE LCD CONN
GH74-16350A		MPR-TAPE LCD CONN INLET
GH99-10535A		PAA MAIN-SGHD720 (EU)
6902-000634		BAG PE
GG68-10705A		LABEL(P)-MASTER SEAL
GH68-00518B		LABEL(P)-UNIT SEAL
GH68-01335D		LABEL(P)-IMEI
GH68-01778A		LABEL(P)-BARCODE SHIPPING
GH68-07462A		LABEL(R)-MAIN EU
GH69-03083A		BOX(P)-UNIT MAIN EU
GH69-03084A		CUSHION-CASE (EU)
GH69-03186A		BOX(P)-MASTER MAIN
GH99-10855A		PAA ETC-MANUAL
6801-001016		CARD-REGISTRATION
GH68-03893A		MANUAL-SFC USE
GH68-04752A		MANUAL-SFC
GH68-07013A		MANUAL-WEEE CARD
GH68-07771A		MANUAL-QRG
GH68-07857A		MANUAL-INSTALLATION CARD
GH68-70545A		MANUAL-WARRANTY

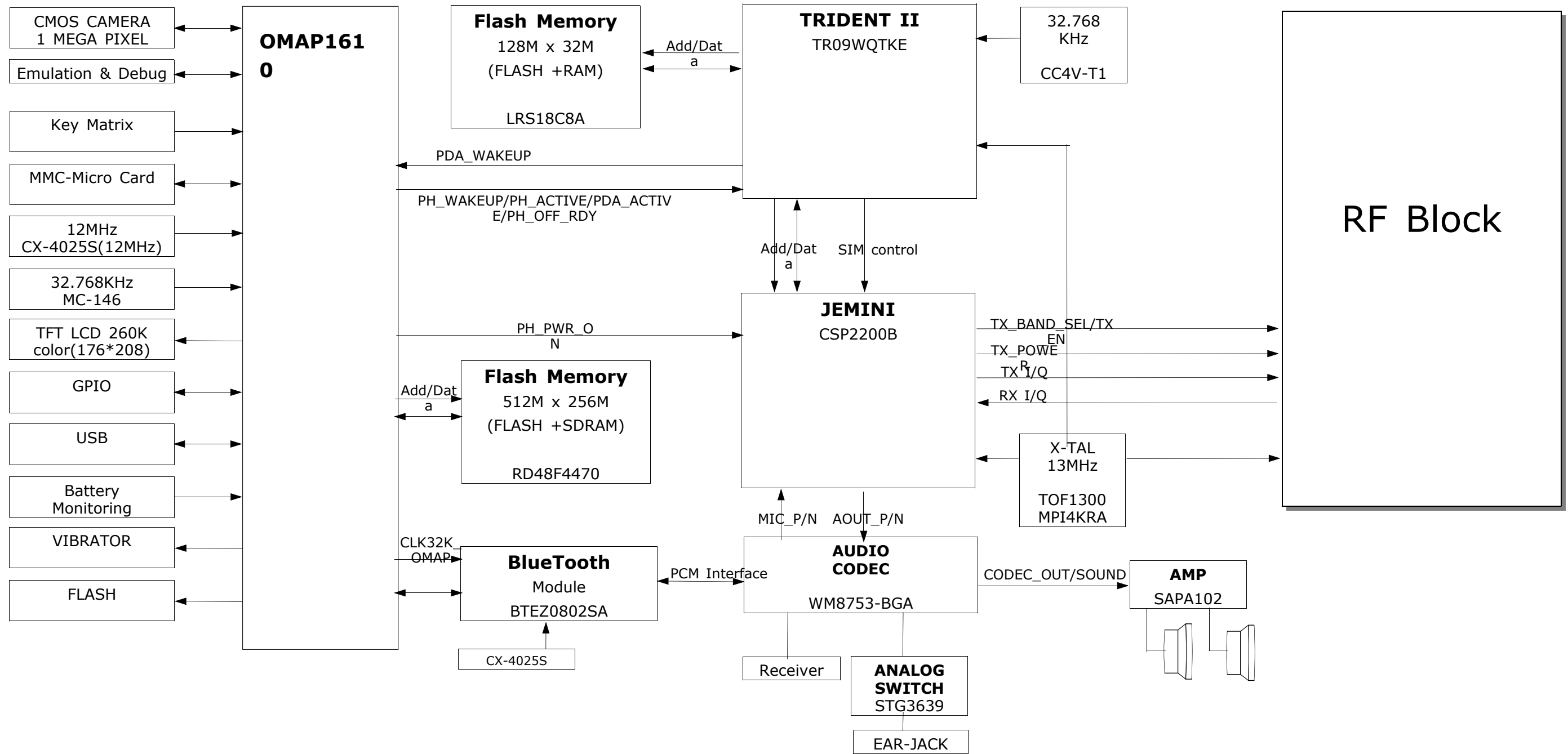
5-2. LCD





6. SGH-D720 Block Diagrams





**SAMSUNG
ELECTRONICS**

