

**SAMSUNG**

# GSM TELEPHONE

## GT-I9505

# SERVICE *Manual*

GSM TELEPHONE

CONTENTS



1. Safety Precautions
2. Specification
3. Product Function
4. Exploded View and Parts list
5. MAIN Electrical Parts List
6. Level 1 Repair
7. Level 2 Repair
8. Level 3 Repair
9. Reference data

Notice: All functionality, features, specifications, and other product information provided in this document, including but not limited to, benefits, design, pricing, components, performance, availability, and capabilities of the product are subject to change without notice. Samsung reserves the right to alter this document or the product described herein at anytime, without obligation to provide notification of such changes.

---

# 1. Safety Precautions

---

## 1-1. Repair Precaution

Before attempting any repair or detailed tuning, shield the device from RF noise or static electricity discharges.

Use only demagnetized tools that are specifically designed for small electronic repairs, as most electronic parts are sensitive to electromagnetic forces.

Use only high quality screwdrivers when servicing products. Low quality screwdrivers can easily damage the heads of screws.

Use only conductor wire of the properly gauge and insulation for low resistance, because of the low margin of error of most testing equipment.

We recommend 22-gauge twisted copper wire.

Hand-soldering is not recommended, because printed circuit boards (PCBs) can be easily damaged, even with relatively low heat. Never use a soldering iron with a power rating of more than 100 watts and use only lead-free solder with a melting point below 250°C (482°F).

Prior to disassembling the battery charger for repair, ensure that the AC power is disconnected. Always use the replacement parts that are registered in the SEC system. Third-party replacement parts may not function properly.

## 1-2. ESD(Electrostatically Sensitive Devices) Precaution

Many semiconductors and ESDs in electronic devices are particularly sensitive to static discharge and can be easily damaged by it. We recommend protecting these components with conductive anti-static bags when you store or transport them.

Always use an anti-static strap or wristband and remove electrostatic buildup or dissipate static electricity from your body before repairing ESDs.

Ensure that soldering irons have AC adapter with ground wires and that the ground wires are properly connected.

Use only desoldering tools with plastic tips to prevent static discharge.

Properly shield the work environment from accidental electrostatic discharge before opening packages containing ESDs.

The potential for static electricity discharge may be increased in low humidity environments, such as air-conditioned rooms. Increase the airflow to the working area to decrease the chance of accidental static electricity discharges.

## 2. Specification

### 2-1. GSM General Specification

	GSM850	EGSM 900	DCS1800	PCS1900	WCDMA 2100	WCDMA 900	WCDMA 850	WCDMA 1900
Freq. Band[MHz] Uplink/ Downlink	824~849 869~894	880~915 925~960	1710~1785 1805~1880	1850~1910 1930~1990	1922~1977 2112~2167	880~915 925~960	824~849 869~894	1852~1907 1932~1987
ARFCN range	128~251	0~124 & 975~1023	512~885	512~810	UL: 9612~9888 DL: 10562~10838	UL: 2712~2863 DL: 2937~3088	UL: 4132~4233 DL: 4357~4458	UL: 9612~9888 DL: 10562~10838
Tx/Rx spacing	45MHz	45MHz	95MHz	80MHz	190MHz	45MHz	45MHz	80MHz
Mod. Bit rate/ Bit Period	270.833kbps 3.692us	270.833kbps 3.692us	270.833kbps 3.692us	270.833kbps 3.692us	3.84Mcps	3.84Mcps	3.84Mcps	3.8Mcps
Time Slot Period/ Frame Period	576.9us 4.615ms	576.9us 4.615ms	576.9us 4.615ms	576.9us 4.615ms	FrameLength: 10ms Slotlength: 0.667ms	FrameLength: 10ms Slotlength: 0.667ms	FrameLength: 10ms Slotlength: 0.667ms	FrameLength: 10ms Slotlength: 0.667ms
Modulation	0.3GMSK	0.3GMSK	0.3GMSK	0.3GMSK	QPSKHQPSK	QPSKHQPSK	QPSKHQPSK	QPSKHQPSK
MS Power	33dBm~5dBm	33dBm~5dBm	30dBm~0dBm	30dBm~0dBm	24dBm~ -50dBm	24dBm~ -50dBm	24dBm~ -50dBm	24dBm~ -50dBm
Power Class	5pcl ~ 19pcl	5pcl ~ 19pcl	0pcl ~ 15pcl	0pcl ~ 15pcl	3(max+24dBm)	3(max+24dBm)	3(max+24dBm)	3(max+24dBm)
Sensitivity	-102dBm	-102dBm	-100dBm	-100dBm	-106.7dBm	-106.7dBm	-106.7dBm	-106.7dBm
TDMA Mux	8	8	8	8	8	8	8	8
Cell Radius	35Km	35Km	2Km	2Km	2Km	2Km	2Km	2Km

## 2-2. GSM Tx Power Class

<b>TX Power control level</b>	<b>GSM850</b>	<b>TX Power control level</b>	<b>EGSM900</b>	<b>TX Power control level</b>	<b>DCS1800</b>	<b>TX Power control level</b>	<b>PCS1900</b>
5	33±2 dBm	5	33±2 dBm	0	30±3 dBm	0	30±3 dBm
6	31±2 dBm	6	31±2 dBm	1	28±3 dBm	1	28±3 dBm
7	29±2 dBm	7	29±2 dBm	2	26±3 dBm	2	26±3 dBm
8	27±2 dBm	8	27±2 dBm	3	24±3 dBm	3	24±3 dBm
9	25±2 dBm	9	25±2 dBm	4	22±3 dBm	4	22±3 dBm
10	23±2 dBm	10	23±2 dBm	5	20±3 dBm	5	20±3 dBm
11	21±2 dBm	11	21±2 dBm	6	18±3 dBm	6	18±3 dBm
12	19±2 dBm	12	19±2 dBm	7	16±3 dBm	7	16±3 dBm
13	17±2 dBm	13	17±2 dBm	8	14±3 dBm	8	14±3 dBm
14	15±2 dBm	14	15±2 dBm	9	12±4 dBm	9	12±4 dBm
15	13±2 dBm	15	13±2 dBm	10	10±4 dBm	10	10±4 dBm
16	11±3 dBm	16	11±3 dBm	11	8±4 dBm	11	8±4 dBm
17	9±3dBm	17	9±3dBm	12	6±4 dBm	12	6±4 dBm
18	7±3 dBm	18	7±3 dBm	13	4±4 dBm	13	4±4 dBm
19	5±3 dBm	19	5±3 dBm	14	2±5 dBm	14	2±5 dBm
				15	0±5 dBm	15	0±5 dBm

## 2-3. LTE General Specification

	LTE Band1	LTE Band3	LTE Band5	LTE Band7	LTE Band8	LTE Band20
Freq. Band [MHz] Uplink/ Downlink	1920~1980 2110~2170	1710~1785 1805~1880	824~849 869~894	2500~2570 1805~1880	880~914.9 925~959.9	832~862 791~821
ARFCN range	UL: 18000~18599 DL: 0~599	UL: 19200~19950 DL: 1805~1880	UL: 20400~20649 DL: 2400~2649	UL: 2500~2570 DL: 2620~2690	UL: 21450~21799 DL: 3450~3799	UL: 24150~24450 DL: 6150~6450
Tx/Rx spacing	190MHz	95MHz	45MHz	120MHz	45MHz	-41MHz
Channel Bandwidth	5/10/15/20 MHz	1.4/3/5/10/15/20 MHz	1.4/3/5/10 MHz	5/10/15/20 MHz	1.4/3/5/10MHz	5/10/15/20 MHz
Modulation	QPSK,16/64QAM	QPSK,16/64QAM	QPSK,16/64QAM	QPSK,16/64QAM	QPSK,16/64QAM	QPSK,16/64QAM
MS Power (MPR)	-35~25.7 dBm	-35~25.7 dBm	-35~25.7 dBm	-35~25.7 dBm	-35~25.7 dBm	-35~25.7 dBm
Sensitivity (QPSK) (BW 10MHz)	-94 dBm	-92 dBm	-92 dBm	-95dBm	-95dBm	-94dBm
Cell Radius	>5Km	>5Km	>5Km	>5Km	>5Km	>5Km

---

## 3. Operation Instruction and Installation

---

### Main Function

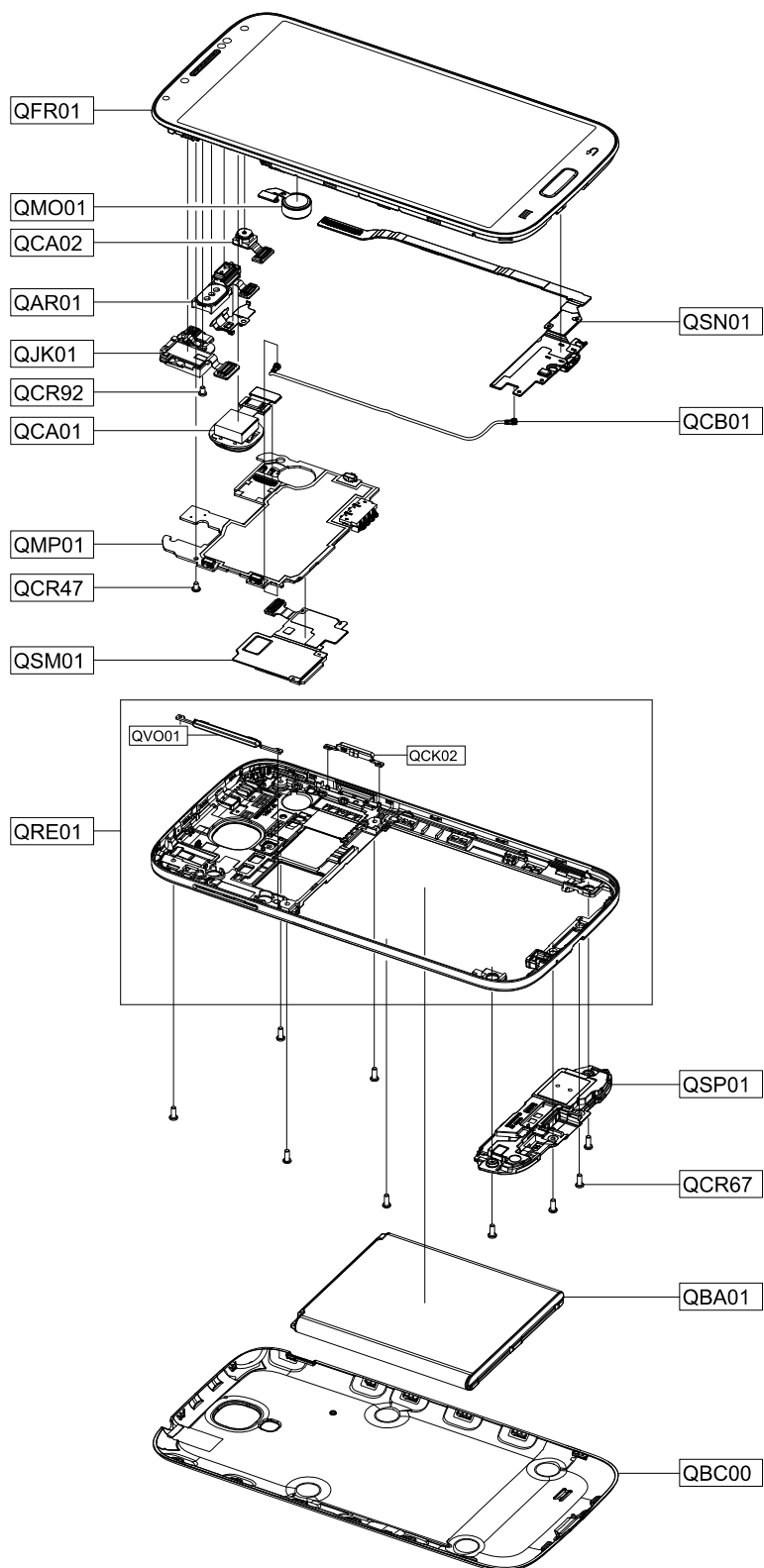
- Android OS v4.2.2 (Jelly Bean)
- HSPA+ 21Mbps / HSUPA 5.7Mbps
- LTE 50Mbps UL / 100Mbps DL
- 13MP, Auto Focus, LED Flash
- 5", 1920x1080 pixels, Super AMOLED capacitive touchscreen
- A-GPS and GLONASS / BT v4.0 with A2DP / USB v2.0 / WiFi (802.11 a/b/g/n/ac HT80) / NFC
- Video Recording 1080p / Playback 1080p
- Sensors: Sensor Hub / Accelerometer, Gyro, Compass, Light, Gesture(Proximity), Barometer, IRDA, Temperature,

Humidity, Magnetic, SVC LED

- Additional :
  - Quad-core 1.9GHz
  - Battery 2,600mAh

## 4. Exploded View and Parts List

### 4-1. Cellular phone Exploded View



## 4-2. Cellular phone Parts list

Design LOC		Description	SEC CODE
QCR47		SCREW-MACHINE	6001-001695
QCR67		SCREW-MACHINE	6001-002083
QCR92		SCREW-MACHINE	6001-002261
QMO01		MOTOR LINEAR VIBRATION	GH31-00641A
QCB01		CBF COAXIAL CABLE-94.5MM(GT_I9505)	GH39-01603A
QBA01		BATTERY	GH43-03833A
QSP01		MODULE-SPEAKER(GT_I9505)	GH59-13081A
QJK01		MODULE-EARJACK+SENSOR(GT_I9505)	GH59-13082A
QSN01		MODULE-SUB PBA+SENSOR FPCB(GT_I9505)	GH59-13083A
QAR01		MODULE-RCV+SENSOR+IRLED	GH59-13109A
QSM01		MODULE-SD+SIM FPCB(GT_I9505)	GH59-13278A
QMP01		A/S ASSY-PBA MAIN(COMM)GT_I9505/M16	GH82-07269A
QCA01		ASSY CAMERA-13M 1/3&quot	GH96-06146A
QCA02		ASSY CAMERA-VT MODULE(GT_I9505)	GH96-06276A
QFR01		MEA FRONT-OCTA LCD ASSY(SVC/ZW)GT_I9505	GH97-14655A
QRE01		ASSY CASE-REAR	GH98-26374A
	QCK02	ASSY KEY-POWER	GH98-26485A
	QVO01	ASSY KEY-VOLUME	GH98-26486A
QBC00		ASSY COVER-BATTERY 3G	GH98-26755A

## 5. MAIN Electrical Parts List

SEC CODE	Design LOC	Description
0403-001870	D901	DIODE-ZENER
0404-001250	D500	DIODE-SCHOTTKY
0406-001223	ZD1002	DIODE-TVS
0406-001267	ZD909	DIODE-TVS
0406-001267	ZD910	DIODE-TVS
0406-001267	ZD911	DIODE-TVS
0406-001390	ZD908	DIODE-TVS
0406-001413	ZD904	DIODE-TVS
0406-001413	ZD905	DIODE-TVS
0406-001413	ZD906	DIODE-TVS
0406-001459	ZD1000	DIODE-TVS
0406-001459	ZD1001	DIODE-TVS
0406-001506	ZD1004	DIODE-TVS
0406-001506	ZD1005	DIODE-TVS
0406-001506	ZD1006	DIODE-TVS
0406-001506	ZD1100	DIODE-TVS
0406-001506	ZD1101	DIODE-TVS
0406-001553	ZD903	DIODE-TVS
0406-001592	ZD900	DIODE-TVS
0406-001592	ZD901	DIODE-TVS
0406-001592	ZD1003	DIODE-TVS
0505-002341	Q500	FET-SILICON
0505-002341	Q600	FET-SILICON
0505-003234	Q1100	FET-SILICON
0505-003234	Q1101	FET-SILICON
0601-003322	LED900	LED
0801-003437	U1009	IC
0902-002997	UCP600	IC
0903-001886	U202	IC
1001-001546	U500	IC
1001-001650	U1003	IC
1001-001831	U103	IC
1001-001833	U1005	IC
1003-002337	U1008	IC
1003-002468	U901	IC
1009-001058	U1006	IC

SEC CODE	Design LOC	Description
1105-002461	UCP600UP	IC-DRAM
1107-002251	UME600	IC-FLASH MEMORY
1201-003315	U1000	IC
1201-003497	PA102	IC
1201-003524	U200	IC
1201-003561	PA101	IC
1201-003562	U101	IC
1203-004776	U905	IC
1203-004819	U1001	IC
1203-004819	U1111	IC
1203-005298	U1002	IC
1203-006867	U1106	IC
1203-007324	U1107	IC
1203-007513	U1103	IC
1203-007583	U400	IC
1203-007702	U1129	IC
1203-007724	U800	IC
1203-007736	U802	IC
1203-007762	U801	IC
1203-007765	U1105	IC
1203-007776	U903	IC
1203-007778	U301	IC
1203-007795	U906	IC
1204-003457	U1007	IC
1204-003458	U1110	IC
1205-004444	U1004	IC
1205-004535	U900	IC
1205-004566	U300	IC
1205-004647	U501	IC
1205-004753	U1109	IC
1205-004767	U203	IC
1209-002142	U205	IC
1209-002167	U204	IC
1209-002209	U207	IC
1301-002097	U904	IC
1404-001724	V100	THERMISTOR

Main Electrical Parts List

SEC CODE	Design LOC	Description
1404-001724	V800	THERMISTOR
1404-001724	V802	THERMISTOR
1405-001183	V1001	VARISTOR
1405-001183	V1003	VARISTOR
1405-001183	V1100	VARISTOR
1405-001183	V1101	VARISTOR
1405-001346	V1000	VARISTOR
1405-001371	V1002	VARISTOR
2007-001308	R504	R-CHIP
2007-007134	R1024	R-CHIP
2007-007484	R636	R-CHIP
2007-007741	R904	R-CHIP
2007-007741	R910	R-CHIP
2007-007741	R1137	R-CHIP
2007-008044	R112	R-CHIP
2007-008045	R110	R-CHIP
2007-008045	R111	R-CHIP
2007-008047	R930	R-CHIP
2007-008048	R223	R-CHIP
2007-008049	R509	R-CHIP
2007-008051	R1146	R-CHIP
2007-008052	R1101	R-CHIP
2007-008052	R1135	R-CHIP
2007-008052	R1136	R-CHIP
2007-008052	R1138	R-CHIP
2007-008052	R1142	R-CHIP
2007-008052	R1143	R-CHIP
2007-008052	R214	R-CHIP
2007-008052	R215	R-CHIP
2007-008052	R225	R-CHIP
2007-008052	R619	R-CHIP
2007-008052	R620	R-CHIP
2007-008052	R909	R-CHIP
2007-008055	R1121	R-CHIP
2007-008055	R1122	R-CHIP
2007-008055	R1123	R-CHIP

SEC CODE	Design LOC	Description
2007-008055	R1125	R-CHIP
2007-008055	R1126	R-CHIP
2007-008055	R1127	R-CHIP
2007-008055	R113	R-CHIP
2007-008055	R1134	R-CHIP
2007-008055	R907	R-CHIP
2007-008294	R601	R-CHIP
2007-008294	R662	R-CHIP
2007-008403	R925	R-CHIP
2007-008419	R1000	R-CHIP
2007-008419	R224	R-CHIP
2007-008419	R804	R-CHIP
2007-008419	R806	R-CHIP
2007-008420	R1002	R-CHIP
2007-008420	R1028	R-CHIP
2007-008420	R1029	R-CHIP
2007-008420	R1032	R-CHIP
2007-008420	R500	R-CHIP
2007-008420	R931	R-CHIP
2007-008478	R1131	R-CHIP
2007-008478	R1139	R-CHIP
2007-008478	R1140	R-CHIP
2007-008478	R1141	R-CHIP
2007-008483	R201	R-CHIP
2007-008483	R202	R-CHIP
2007-008483	R203	R-CHIP
2007-008483	R204	R-CHIP
2007-008483	R205	R-CHIP
2007-008483	R206	R-CHIP
2007-008483	R207	R-CHIP
2007-008483	R208	R-CHIP
2007-008486	R515	R-CHIP
2007-008486	R912	R-CHIP
2007-008516	R1015	R-CHIP
2007-008516	R1030	R-CHIP
2007-008516	R1109	R-CHIP

Main Electrical Parts List

SEC CODE	Design LOC	Description
2007-008516	R1144	R-CHIP
2007-008516	R1145	R-CHIP
2007-008516	R1147	R-CHIP
2007-008516	R1161	R-CHIP
2007-008516	R213	R-CHIP
2007-008516	R405	R-CHIP
2007-008516	R406	R-CHIP
2007-008516	R501	R-CHIP
2007-008516	R502	R-CHIP
2007-008516	R503	R-CHIP
2007-008516	R512	R-CHIP
2007-008516	R513	R-CHIP
2007-008516	R521	R-CHIP
2007-008516	R610	R-CHIP
2007-008516	R640	R-CHIP
2007-008516	R644	R-CHIP
2007-008516	R651	R-CHIP
2007-008516	R652	R-CHIP
2007-008516	R653	R-CHIP
2007-008516	R654	R-CHIP
2007-008516	R665	R-CHIP
2007-008516	R921	R-CHIP
2007-008516	R922	R-CHIP
2007-008516	R923	R-CHIP
2007-008516	R924	R-CHIP
2007-008516	R932	R-CHIP
2007-008516	R933	R-CHIP
2007-008516	R934	R-CHIP
2007-008516	R935	R-CHIP
2007-008516	R936	R-CHIP
2007-008516	R937	R-CHIP
2007-008531	R1152	R-CHIP
2007-008531	R1153	R-CHIP
2007-008531	R407	R-CHIP
2007-008531	R408	R-CHIP
2007-008548	R643	R-CHIP

SEC CODE	Design LOC	Description
2007-008588	R211	R-CHIP
2007-008588	R212	R-CHIP
2007-008588	R216	R-CHIP
2007-008588	R218	R-CHIP
2007-008588	R219	R-CHIP
2007-008588	R615	R-CHIP
2007-008588	R616	R-CHIP
2007-008588	R621	R-CHIP
2007-008588	R622	R-CHIP
2007-008588	R623	R-CHIP
2007-008588	R624	R-CHIP
2007-008588	R625	R-CHIP
2007-008588	R626	R-CHIP
2007-008588	R627	R-CHIP
2007-008588	R628	R-CHIP
2007-008588	R629	R-CHIP
2007-008588	R630	R-CHIP
2007-008588	R638	R-CHIP
2007-008588	R639	R-CHIP
2007-008588	R927	R-CHIP
2007-008588	R928	R-CHIP
2007-008672	R1110	R-CHIP
2007-008672	R1111	R-CHIP
2007-008672	R1112	R-CHIP
2007-008672	R1113	R-CHIP
2007-008672	R1114	R-CHIP
2007-008672	R1115	R-CHIP
2007-008672	R1116	R-CHIP
2007-008672	R1117	R-CHIP
2007-008672	R1118	R-CHIP
2007-008672	R1156	R-CHIP
2007-008774	R901	R-CHIP
2007-008774	R902	R-CHIP
2007-008774	R903	R-CHIP
2007-008808	R807	R-CHIP
2007-009084	R1001	R-CHIP

Main Electrical Parts List

SEC CODE	Design LOC	Description
2007-009084	R1014	R-CHIP
2007-009084	R1151	R-CHIP
2007-009084	R913	R-CHIP
2007-009108	R114	R-CHIP
2007-009157	R107	R-CHIP
2007-009157	R1150	R-CHIP
2007-009157	R409	R-CHIP
2007-009157	R808	R-CHIP
2007-009157	R809	R-CHIP
2007-009157	R814	R-CHIP
2007-009171	R1017	R-CHIP
2007-009171	R303	R-CHIP
2007-009208	R1005	R-CHIP
2007-009208	R1006	R-CHIP
2007-009212	R1007	R-CHIP
2007-009212	R302	R-CHIP
2007-009212	R506	R-CHIP
2007-009223	R1010	R-CHIP
2007-009323	R812	R-CHIP
2007-009323	R813	R-CHIP
2007-009358	R301	R-CHIP
2007-009398	R227	R-CHIP
2007-009408	R1020	R-CHIP
2007-009408	R1021	R-CHIP
2007-009410	R805	R-CHIP
2007-009793	R1011	R-CHIP
2007-009801	R1162	R-CHIP
2007-009801	R1163	R-CHIP
2007-009801	R1164	R-CHIP
2007-009801	R1165	R-CHIP
2007-009801	R1166	R-CHIP
2007-009801	R1167	R-CHIP
2007-009866	R1149	R-CHIP
2007-009920	R505	R-CHIP
2007-009920	R508	R-CHIP
2007-009920	R641	R-CHIP

SEC CODE	Design LOC	Description
2007-009920	R646	R-CHIP
2007-009920	R647	R-CHIP
2007-009920	R648	R-CHIP
2007-009920	R649	R-CHIP
2007-009969	R1008	R-CHIP
2007-010202	R1012	R-CHIP
2007-011043	R637	R-CHIP
2203-000311	C232	C-CERAMIC,CHIP
2203-000311	C261	C-CERAMIC,CHIP
2203-000438	C205	C-CERAMIC,CHIP
2203-000725	C926	C-CERAMIC,CHIP
2203-001101	C931	C-CERAMIC,CHIP
2203-001239	C940	C-CERAMIC,CHIP
2203-005249	C947	C-CERAMIC,CHIP
2203-005659	C238	C-CERAMIC,CHIP
2203-005659	C260	C-CERAMIC,CHIP
2203-005682	C1033	C-CERAMIC,CHIP
2203-005682	C104	C-CERAMIC,CHIP
2203-005682	C1045	C-CERAMIC,CHIP
2203-005682	C105	C-CERAMIC,CHIP
2203-005682	C1181	C-CERAMIC,CHIP
2203-005682	C120	C-CERAMIC,CHIP
2203-005682	C123	C-CERAMIC,CHIP
2203-005682	C136	C-CERAMIC,CHIP
2203-005682	C137	C-CERAMIC,CHIP
2203-005682	C167	C-CERAMIC,CHIP
2203-005682	C197	C-CERAMIC,CHIP
2203-005682	C300	C-CERAMIC,CHIP
2203-005682	C935	C-CERAMIC,CHIP
2203-005683	C107	C-CERAMIC,CHIP
2203-005683	C245	C-CERAMIC,CHIP
2203-005683	C246	C-CERAMIC,CHIP
2203-005725	C1100	C-CERAMIC,CHIP
2203-005725	C1101	C-CERAMIC,CHIP
2203-005725	C1134	C-CERAMIC,CHIP
2203-005725	C1135	C-CERAMIC,CHIP

Main Electrical Parts List

SEC CODE	Design LOC	Description
2203-005725	C1180	C-CERAMIC,CHIP
2203-005725	C1185	C-CERAMIC,CHIP
2203-005726	C1002	C-CERAMIC,CHIP
2203-005726	C1004	C-CERAMIC,CHIP
2203-005726	C942	C-CERAMIC,CHIP
2203-005727	C223	C-CERAMIC,CHIP
2203-005727	C917	C-CERAMIC,CHIP
2203-005729	C1003	C-CERAMIC,CHIP
2203-005729	C1005	C-CERAMIC,CHIP
2203-005729	C1009	C-CERAMIC,CHIP
2203-005729	C1010	C-CERAMIC,CHIP
2203-005729	C132	C-CERAMIC,CHIP
2203-005729	C222	C-CERAMIC,CHIP
2203-005729	C329	C-CERAMIC,CHIP
2203-005729	C608	C-CERAMIC,CHIP
2203-005729	C609	C-CERAMIC,CHIP
2203-005729	C943	C-CERAMIC,CHIP
2203-005731	C1041	C-CERAMIC,CHIP
2203-005731	C1042	C-CERAMIC,CHIP
2203-005734	C902	C-CERAMIC,CHIP
2203-005734	C930	C-CERAMIC,CHIP
2203-005736	C1046	C-CERAMIC,CHIP
2203-005736	C161	C-CERAMIC,CHIP
2203-005736	C162	C-CERAMIC,CHIP
2203-005736	C171	C-CERAMIC,CHIP
2203-005736	C185	C-CERAMIC,CHIP
2203-005736	C201	C-CERAMIC,CHIP
2203-005736	C202	C-CERAMIC,CHIP
2203-005736	C203	C-CERAMIC,CHIP
2203-005736	C206	C-CERAMIC,CHIP
2203-005736	C216	C-CERAMIC,CHIP
2203-005736	C301	C-CERAMIC,CHIP
2203-005736	C306	C-CERAMIC,CHIP
2203-005736	C326	C-CERAMIC,CHIP
2203-005739	C858	C-CERAMIC,CHIP
2203-005739	C859	C-CERAMIC,CHIP

SEC CODE	Design LOC	Description
2203-005777	C118	C-CERAMIC,CHIP
2203-005777	C131	C-CERAMIC,CHIP
2203-005777	C150	C-CERAMIC,CHIP
2203-005777	C156	C-CERAMIC,CHIP
2203-005777	C190	C-CERAMIC,CHIP
2203-005777	C195	C-CERAMIC,CHIP
2203-005777	C200	C-CERAMIC,CHIP
2203-005789	C113	C-CERAMIC,CHIP
2203-005789	C115	C-CERAMIC,CHIP
2203-005789	C163	C-CERAMIC,CHIP
2203-005789	C170	C-CERAMIC,CHIP
2203-005789	C218	C-CERAMIC,CHIP
2203-005806	C233	C-CERAMIC,CHIP
2203-005806	C236	C-CERAMIC,CHIP
2203-005806	C427	C-CERAMIC,CHIP
2203-006048	C927	C-CERAMIC,CHIP
2203-006048	C928	C-CERAMIC,CHIP
2203-006121	C919	C-CERAMIC,CHIP
2203-006121	C920	C-CERAMIC,CHIP
2203-006187	C174	C-CERAMIC,CHIP
2203-006194	C234	C-CERAMIC,CHIP
2203-006194	C324	C-CERAMIC,CHIP
2203-006194	C844	C-CERAMIC,CHIP
2203-006305	C1183	C-CERAMIC,CHIP
2203-006305	L120	C-CERAMIC,CHIP
2203-006318	C199	C-CERAMIC,CHIP
2203-006348	C900	C-CERAMIC,CHIP
2203-006348	C901	C-CERAMIC,CHIP
2203-006379	C323	C-CERAMIC,CHIP
2203-006399	C604	C-CERAMIC,CHIP
2203-006400	C106	C-CERAMIC,CHIP
2203-006410	C208	C-CERAMIC,CHIP
2203-006423	C1038	C-CERAMIC,CHIP
2203-006423	C1044	C-CERAMIC,CHIP
2203-006423	C1138	C-CERAMIC,CHIP
2203-006423	C1140	C-CERAMIC,CHIP

Main Electrical Parts List

SEC CODE	Design LOC	Description
2203-006423	C1141	C-CERAMIC,CHIP
2203-006423	C1142	C-CERAMIC,CHIP
2203-006423	C1144	C-CERAMIC,CHIP
2203-006423	C1161	C-CERAMIC,CHIP
2203-006423	C166	C-CERAMIC,CHIP
2203-006423	C204	C-CERAMIC,CHIP
2203-006423	C219	C-CERAMIC,CHIP
2203-006423	C220	C-CERAMIC,CHIP
2203-006423	C221	C-CERAMIC,CHIP
2203-006423	C249	C-CERAMIC,CHIP
2203-006423	C262	C-CERAMIC,CHIP
2203-006423	C406	C-CERAMIC,CHIP
2203-006423	C518	C-CERAMIC,CHIP
2203-006423	C936	C-CERAMIC,CHIP
2203-006423	C937	C-CERAMIC,CHIP
2203-006423	C946	C-CERAMIC,CHIP
2203-006423	C950	C-CERAMIC,CHIP
2203-006556	C1035	C-CERAMIC,CHIP
2203-006556	C1036	C-CERAMIC,CHIP
2203-006556	C1037	C-CERAMIC,CHIP
2203-006556	C109	C-CERAMIC,CHIP
2203-006556	C114	C-CERAMIC,CHIP
2203-006562	C905	C-CERAMIC,CHIP
2203-006611	C101	C-CERAMIC,CHIP
2203-006626	C224	C-CERAMIC,CHIP
2203-006626	C226	C-CERAMIC,CHIP
2203-006648	C1000	C-CERAMIC,CHIP
2203-006648	C1001	C-CERAMIC,CHIP
2203-006665	C151	C-CERAMIC,CHIP
2203-006665	C154	C-CERAMIC,CHIP
2203-006665	C213	C-CERAMIC,CHIP
2203-006707	C172	C-CERAMIC,CHIP
2203-006839	C1006	C-CERAMIC,CHIP
2203-006839	C1011	C-CERAMIC,CHIP
2203-006839	C1013	C-CERAMIC,CHIP
2203-006839	C1016	C-CERAMIC,CHIP

SEC CODE	Design LOC	Description
2203-006839	C1017	C-CERAMIC,CHIP
2203-006839	C1022	C-CERAMIC,CHIP
2203-006839	C1030	C-CERAMIC,CHIP
2203-006839	C1031	C-CERAMIC,CHIP
2203-006839	C1034	C-CERAMIC,CHIP
2203-006839	C177	C-CERAMIC,CHIP
2203-006839	C214	C-CERAMIC,CHIP
2203-006839	C225	C-CERAMIC,CHIP
2203-006839	C231	C-CERAMIC,CHIP
2203-006839	C241	C-CERAMIC,CHIP
2203-006839	C247	C-CERAMIC,CHIP
2203-006839	C250	C-CERAMIC,CHIP
2203-006839	C304	C-CERAMIC,CHIP
2203-006839	C305	C-CERAMIC,CHIP
2203-006839	C307	C-CERAMIC,CHIP
2203-006839	C308	C-CERAMIC,CHIP
2203-006839	C309	C-CERAMIC,CHIP
2203-006839	C310	C-CERAMIC,CHIP
2203-006839	C311	C-CERAMIC,CHIP
2203-006839	C312	C-CERAMIC,CHIP
2203-006839	C313	C-CERAMIC,CHIP
2203-006839	C314	C-CERAMIC,CHIP
2203-006839	C315	C-CERAMIC,CHIP
2203-006839	C316	C-CERAMIC,CHIP
2203-006839	C317	C-CERAMIC,CHIP
2203-006839	C318	C-CERAMIC,CHIP
2203-006839	C319	C-CERAMIC,CHIP
2203-006839	C321	C-CERAMIC,CHIP
2203-006839	C517	C-CERAMIC,CHIP
2203-006839	C606	C-CERAMIC,CHIP
2203-006839	C849	C-CERAMIC,CHIP
2203-006839	C857	C-CERAMIC,CHIP
2203-006839	C922	C-CERAMIC,CHIP
2203-006839	C923	C-CERAMIC,CHIP
2203-006839	C933	C-CERAMIC,CHIP
2203-006841	C327	C-CERAMIC,CHIP

Main Electrical Parts List

SEC CODE	Design LOC	Description
2203-006872	C263	C-CERAMIC,CHIP
2203-006872	C325	C-CERAMIC,CHIP
2203-006896	C100	C-CERAMIC,CHIP
2203-006896	C124	C-CERAMIC,CHIP
2203-006896	C125	C-CERAMIC,CHIP
2203-006896	C126	C-CERAMIC,CHIP
2203-006896	C127	C-CERAMIC,CHIP
2203-006896	C140	C-CERAMIC,CHIP
2203-006896	C141	C-CERAMIC,CHIP
2203-006896	C142	C-CERAMIC,CHIP
2203-006896	C143	C-CERAMIC,CHIP
2203-006896	C196	C-CERAMIC,CHIP
2203-007210	C601	C-CERAMIC,CHIP
2203-007210	C603	C-CERAMIC,CHIP
2203-007240	C835	C-CERAMIC,CHIP
2203-007240	C843	C-CERAMIC,CHIP
2203-007240	C845	C-CERAMIC,CHIP
2203-007269	C1115	C-CERAMIC,CHIP
2203-007269	C1132	C-CERAMIC,CHIP
2203-007270	C1114	C-CERAMIC,CHIP
2203-007270	C1121	C-CERAMIC,CHIP
2203-007270	C1124	C-CERAMIC,CHIP
2203-007271	C1012	C-CERAMIC,CHIP
2203-007271	C1015	C-CERAMIC,CHIP
2203-007271	C924	C-CERAMIC,CHIP
2203-007271	C925	C-CERAMIC,CHIP
2203-007317	C1178	C-CERAMIC,CHIP
2203-007317	C215	C-CERAMIC,CHIP
2203-007317	C813	C-CERAMIC,CHIP
2203-007317	C815	C-CERAMIC,CHIP
2203-007317	C816	C-CERAMIC,CHIP
2203-007317	C817	C-CERAMIC,CHIP
2203-007317	C822	C-CERAMIC,CHIP
2203-007317	C824	C-CERAMIC,CHIP
2203-007317	C825	C-CERAMIC,CHIP
2203-007317	C906	C-CERAMIC,CHIP

SEC CODE	Design LOC	Description
2203-007369	C1120	C-CERAMIC,CHIP
2203-007385	C242	C-CERAMIC,CHIP
2203-007391	C152	C-CERAMIC,CHIP
2203-007391	C159	C-CERAMIC,CHIP
2203-007393	C1159	C-CERAMIC,CHIP
2203-007393	C1160	C-CERAMIC,CHIP
2203-007393	C1171	C-CERAMIC,CHIP
2203-007393	C186	C-CERAMIC,CHIP
2203-007393	C227	C-CERAMIC,CHIP
2203-007393	C229	C-CERAMIC,CHIP
2203-007393	C230	C-CERAMIC,CHIP
2203-007393	C948	C-CERAMIC,CHIP
2203-007449	C1018	C-CERAMIC,CHIP
2203-007449	C1019	C-CERAMIC,CHIP
2203-007449	C1020	C-CERAMIC,CHIP
2203-007449	C1023	C-CERAMIC,CHIP
2203-007449	C1024	C-CERAMIC,CHIP
2203-007449	C1027	C-CERAMIC,CHIP
2203-007449	C1028	C-CERAMIC,CHIP
2203-007449	C1039	C-CERAMIC,CHIP
2203-007449	C1040	C-CERAMIC,CHIP
2203-007449	C1043	C-CERAMIC,CHIP
2203-007449	C1047	C-CERAMIC,CHIP
2203-007449	C1104	C-CERAMIC,CHIP
2203-007449	C1105	C-CERAMIC,CHIP
2203-007449	C1106	C-CERAMIC,CHIP
2203-007449	C1107	C-CERAMIC,CHIP
2203-007449	C1126	C-CERAMIC,CHIP
2203-007449	C1127	C-CERAMIC,CHIP
2203-007449	C1128	C-CERAMIC,CHIP
2203-007449	C1129	C-CERAMIC,CHIP
2203-007449	C1130	C-CERAMIC,CHIP
2203-007449	C1131	C-CERAMIC,CHIP
2203-007449	C1176	C-CERAMIC,CHIP
2203-007449	C1177	C-CERAMIC,CHIP
2203-007449	C320	C-CERAMIC,CHIP

Main Electrical Parts List

SEC CODE	Design LOC	Description
2203-007449	C407	C-CERAMIC,CHIP
2203-007449	C418	C-CERAMIC,CHIP
2203-007449	C419	C-CERAMIC,CHIP
2203-007449	C420	C-CERAMIC,CHIP
2203-007449	C421	C-CERAMIC,CHIP
2203-007449	C422	C-CERAMIC,CHIP
2203-007449	C424	C-CERAMIC,CHIP
2203-007449	C425	C-CERAMIC,CHIP
2203-007449	C426	C-CERAMIC,CHIP
2203-007449	C500	C-CERAMIC,CHIP
2203-007449	C501	C-CERAMIC,CHIP
2203-007449	C502	C-CERAMIC,CHIP
2203-007449	C503	C-CERAMIC,CHIP
2203-007449	C504	C-CERAMIC,CHIP
2203-007449	C505	C-CERAMIC,CHIP
2203-007449	C506	C-CERAMIC,CHIP
2203-007449	C507	C-CERAMIC,CHIP
2203-007449	C508	C-CERAMIC,CHIP
2203-007449	C509	C-CERAMIC,CHIP
2203-007449	C510	C-CERAMIC,CHIP
2203-007449	C516	C-CERAMIC,CHIP
2203-007449	C711	C-CERAMIC,CHIP
2203-007449	C818	C-CERAMIC,CHIP
2203-007449	C819	C-CERAMIC,CHIP
2203-007449	C820	C-CERAMIC,CHIP
2203-007449	C821	C-CERAMIC,CHIP
2203-007449	C823	C-CERAMIC,CHIP
2203-007449	C829	C-CERAMIC,CHIP
2203-007449	C831	C-CERAMIC,CHIP
2203-007449	C832	C-CERAMIC,CHIP
2203-007449	C834	C-CERAMIC,CHIP
2203-007449	C860	C-CERAMIC,CHIP
2203-007449	C907	C-CERAMIC,CHIP
2203-007449	C909	C-CERAMIC,CHIP
2203-007449	C911	C-CERAMIC,CHIP
2203-007449	C916	C-CERAMIC,CHIP

SEC CODE	Design LOC	Description
2203-007449	C921	C-CERAMIC,CHIP
2203-007449	C934	C-CERAMIC,CHIP
2203-007449	C941	C-CERAMIC,CHIP
2203-007449	C953	C-CERAMIC,CHIP
2203-007449	C954	C-CERAMIC,CHIP
2203-007456	C1136	C-CERAMIC,CHIP
2203-007456	C1137	C-CERAMIC,CHIP
2203-007775	C600	C-CERAMIC,CHIP
2203-007795	C108	C-CERAMIC,CHIP
2203-007795	C1108	C-CERAMIC,CHIP
2203-007795	C1170	C-CERAMIC,CHIP
2203-007795	C1179	C-CERAMIC,CHIP
2203-007795	C228	C-CERAMIC,CHIP
2203-007795	C302	C-CERAMIC,CHIP
2203-007795	C303	C-CERAMIC,CHIP
2203-007795	C414	C-CERAMIC,CHIP
2203-007795	C415	C-CERAMIC,CHIP
2203-007795	C416	C-CERAMIC,CHIP
2203-007795	C417	C-CERAMIC,CHIP
2203-007795	C853	C-CERAMIC,CHIP
2203-007795	C908	C-CERAMIC,CHIP
2203-007795	C912	C-CERAMIC,CHIP
2203-007795	C913	C-CERAMIC,CHIP
2203-007795	C932	C-CERAMIC,CHIP
2203-007795	C951	C-CERAMIC,CHIP
2203-007795	C952	C-CERAMIC,CHIP
2203-007796	C1007	C-CERAMIC,CHIP
2203-007796	C1008	C-CERAMIC,CHIP
2203-007796	C1014	C-CERAMIC,CHIP
2203-007796	C1032	C-CERAMIC,CHIP
2203-007796	C110	C-CERAMIC,CHIP
2203-007796	C1109	C-CERAMIC,CHIP
2203-007796	C1110	C-CERAMIC,CHIP
2203-007796	C1111	C-CERAMIC,CHIP
2203-007796	C1112	C-CERAMIC,CHIP
2203-007796	C1113	C-CERAMIC,CHIP

Main Electrical Parts List

SEC CODE	Design LOC	Description
2203-007796	C112	C-CERAMIC,CHIP
2203-007796	C1133	C-CERAMIC,CHIP
2203-007796	C1187	C-CERAMIC,CHIP
2203-007796	C153	C-CERAMIC,CHIP
2203-007796	C160	C-CERAMIC,CHIP
2203-007796	C235	C-CERAMIC,CHIP
2203-007796	C248	C-CERAMIC,CHIP
2203-007796	C423	C-CERAMIC,CHIP
2203-007796	C704	C-CERAMIC,CHIP
2203-007796	C705	C-CERAMIC,CHIP
2203-007796	C706	C-CERAMIC,CHIP
2203-007796	C707	C-CERAMIC,CHIP
2203-007796	C708	C-CERAMIC,CHIP
2203-007796	C709	C-CERAMIC,CHIP
2203-007796	C712	C-CERAMIC,CHIP
2203-007796	C713	C-CERAMIC,CHIP
2203-007796	C714	C-CERAMIC,CHIP
2203-007796	C715	C-CERAMIC,CHIP
2203-007796	C719	C-CERAMIC,CHIP
2203-007796	C720	C-CERAMIC,CHIP
2203-007796	C721	C-CERAMIC,CHIP
2203-007796	C722	C-CERAMIC,CHIP
2203-007796	C723	C-CERAMIC,CHIP
2203-007796	C724	C-CERAMIC,CHIP
2203-007796	C727	C-CERAMIC,CHIP
2203-007796	C728	C-CERAMIC,CHIP
2203-007796	C729	C-CERAMIC,CHIP
2203-007796	C730	C-CERAMIC,CHIP
2203-007796	C732	C-CERAMIC,CHIP
2203-007796	C733	C-CERAMIC,CHIP
2203-007796	C738	C-CERAMIC,CHIP
2203-007796	C739	C-CERAMIC,CHIP
2203-007796	C740	C-CERAMIC,CHIP
2203-007796	C741	C-CERAMIC,CHIP
2203-007796	C742	C-CERAMIC,CHIP
2203-007796	C743	C-CERAMIC,CHIP

SEC CODE	Design LOC	Description
2203-007796	C744	C-CERAMIC,CHIP
2203-007796	C745	C-CERAMIC,CHIP
2203-007796	C750	C-CERAMIC,CHIP
2203-007796	C752	C-CERAMIC,CHIP
2203-007796	C753	C-CERAMIC,CHIP
2203-007796	C754	C-CERAMIC,CHIP
2203-007796	C755	C-CERAMIC,CHIP
2203-007796	C756	C-CERAMIC,CHIP
2203-007796	C757	C-CERAMIC,CHIP
2203-007796	C758	C-CERAMIC,CHIP
2203-007796	C759	C-CERAMIC,CHIP
2203-007796	C763	C-CERAMIC,CHIP
2203-007796	C765	C-CERAMIC,CHIP
2203-007796	C770	C-CERAMIC,CHIP
2203-007796	C772	C-CERAMIC,CHIP
2203-007796	C773	C-CERAMIC,CHIP
2203-007796	C852	C-CERAMIC,CHIP
2203-007796	C910	C-CERAMIC,CHIP
2203-008097	C607	C-CERAMIC,CHIP
2203-008097	C801	C-CERAMIC,CHIP
2203-008097	C828	C-CERAMIC,CHIP
2203-008097	C833	C-CERAMIC,CHIP
2203-008097	C837	C-CERAMIC,CHIP
2203-008097	C848	C-CERAMIC,CHIP
2203-008097	C850	C-CERAMIC,CHIP
2203-008123	C411	C-CERAMIC,CHIP
2203-008123	C854	C-CERAMIC,CHIP
2203-008123	C855	C-CERAMIC,CHIP
2203-008123	C856	C-CERAMIC,CHIP
2203-008192	C128	C-CERAMIC,CHIP
2203-008199	C838	C-CERAMIC,CHIP
2203-008199	C840	C-CERAMIC,CHIP
2203-008199	C841	C-CERAMIC,CHIP
2203-008199	C842	C-CERAMIC,CHIP
2203-008242	C1025	C-CERAMIC,CHIP
2203-008242	C1026	C-CERAMIC,CHIP

Main Electrical Parts List

SEC CODE	Design LOC	Description
2203-008242	C1029	C-CERAMIC,CHIP
2203-008242	C1139	C-CERAMIC,CHIP
2203-008242	C1143	C-CERAMIC,CHIP
2203-008242	C413	C-CERAMIC,CHIP
2203-008242	C602	C-CERAMIC,CHIP
2203-008242	C605	C-CERAMIC,CHIP
2203-008242	C710	C-CERAMIC,CHIP
2203-008242	C717	C-CERAMIC,CHIP
2203-008242	C725	C-CERAMIC,CHIP
2203-008242	C760	C-CERAMIC,CHIP
2203-008242	C761	C-CERAMIC,CHIP
2203-008242	C769	C-CERAMIC,CHIP
2203-008242	C774	C-CERAMIC,CHIP
2203-008242	C775	C-CERAMIC,CHIP
2203-008242	C776	C-CERAMIC,CHIP
2203-008242	C782	C-CERAMIC,CHIP
2203-008242	C826	C-CERAMIC,CHIP
2203-008242	C827	C-CERAMIC,CHIP
2203-008242	C830	C-CERAMIC,CHIP
2203-008242	C861	C-CERAMIC,CHIP
2203-008242	C938	C-CERAMIC,CHIP
2203-008242	C939	C-CERAMIC,CHIP
2203-008243	C259	C-CERAMIC,CHIP
2203-008243	C519	C-CERAMIC,CHIP
2203-008243	C904	C-CERAMIC,CHIP
2203-008243	C918	C-CERAMIC,CHIP
2203-008312	C328	C-CERAMIC,CHIP
2203-008312	C408	C-CERAMIC,CHIP
2203-008312	C409	C-CERAMIC,CHIP
2203-008312	C410	C-CERAMIC,CHIP
2203-008312	C412	C-CERAMIC,CHIP
2203-008312	C846	C-CERAMIC,CHIP
2203-008312	C847	C-CERAMIC,CHIP
2203-008312	C851	C-CERAMIC,CHIP
2203-008312	C915	C-CERAMIC,CHIP
2203-008527	C809	C-CERAMIC,CHIP

SEC CODE	Design LOC	Description
2203-008527	C810	C-CERAMIC,CHIP
2203-008528	C1119	C-CERAMIC,CHIP
2203-008528	C405	C-CERAMIC,CHIP
2203-008528	C802	C-CERAMIC,CHIP
2203-008528	C803	C-CERAMIC,CHIP
2203-008528	C804	C-CERAMIC,CHIP
2203-008529	C211	C-CERAMIC,CHIP
2203-008529	C212	C-CERAMIC,CHIP
2203-008529	C400	C-CERAMIC,CHIP
2203-008529	C401	C-CERAMIC,CHIP
2203-008529	C402	C-CERAMIC,CHIP
2203-008529	C403	C-CERAMIC,CHIP
2203-008529	C404	C-CERAMIC,CHIP
2203-008529	C805	C-CERAMIC,CHIP
2203-008529	C807	C-CERAMIC,CHIP
2203-008529	C808	C-CERAMIC,CHIP
2203-008529	C811	C-CERAMIC,CHIP
2203-008529	C812	C-CERAMIC,CHIP
2404-001496	TA1000	C-CERAMIC,CHIP
2404-001652	TA900	C-CERAMIC,CHIP
2409-001243	BTC800	C-CERAMIC,CHIP
2703-001231	L905	C-CERAMIC,CHIP
2703-002309	L903	C-CERAMIC,CHIP
2703-002309	L907	C-CERAMIC,CHIP
2703-002309	L908	C-CERAMIC,CHIP
2703-002958	L134	C-CERAMIC,CHIP
2703-003004	L103	C-CERAMIC,CHIP
2703-003545	L207	C-CERAMIC,CHIP
2703-003686	L1112	C-CERAMIC,CHIP
2703-003686	L600	C-CERAMIC,CHIP
2703-003897	L1104	C-CERAMIC,CHIP
2703-003897	L1107	C-CERAMIC,CHIP
2703-003917	L100	C-CERAMIC,CHIP
2703-003917	L105	C-CERAMIC,CHIP
2703-003917	L124	C-CERAMIC,CHIP
2703-003917	L126	C-CERAMIC,CHIP

Main Electrical Parts List

SEC CODE	Design LOC	Description
2703-003917	L127	C-CERAMIC,CHIP
2703-004000	L912	C-CERAMIC,CHIP
2703-004000	L913	C-CERAMIC,CHIP
2703-004030	L160	C-CERAMIC,CHIP
2703-004032	L203	C-CERAMIC,CHIP
2703-004037	L136	C-CERAMIC,CHIP
2703-004037	L138	C-CERAMIC,CHIP
2703-004037	L142	C-CERAMIC,CHIP
2703-004037	L158	C-CERAMIC,CHIP
2703-004037	L205	C-CERAMIC,CHIP
2703-004037	L211	C-CERAMIC,CHIP
2703-004185	L301	C-CERAMIC,CHIP
2703-004193	L204	C-CERAMIC,CHIP
2703-004286	C198	C-CERAMIC,CHIP
2703-004287	L106	C-CERAMIC,CHIP
2703-004287	L132	C-CERAMIC,CHIP
2703-004287	L140	C-CERAMIC,CHIP
2703-004287	L146	C-CERAMIC,CHIP
2703-004287	L201	C-CERAMIC,CHIP
2703-004289	L143	C-CERAMIC,CHIP
2703-004295	C103	C-CERAMIC,CHIP
2703-004295	L116	C-CERAMIC,CHIP
2703-004295	L122	C-CERAMIC,CHIP
2703-004295	L123	C-CERAMIC,CHIP
2703-004295	L147	INDUCTOR-SMD
2703-004297	L904	INDUCTOR-SMD
2703-004298	L121	INDUCTOR-SMD
2703-004298	L156	INDUCTOR-SMD
2703-004298	L157	INDUCTOR-SMD
2703-004299	L114	INDUCTOR-SMD
2703-004299	L129	INDUCTOR-SMD
2703-004299	L131	INDUCTOR-SMD
2703-004299	L159	INDUCTOR-SMD
2703-004299	L161	INDUCTOR-SMD
2703-004300	L110	INDUCTOR-SMD
2703-004300	L115	INDUCTOR-SMD

SEC CODE	Design LOC	Description
2703-004300	L202	INDUCTOR-SMD
2703-004301	L118	INDUCTOR-SMD
2703-004301	L168	INDUCTOR-SMD
2703-004302	L150	INDUCTOR-SMD
2703-004302	L153	INDUCTOR-SMD
2703-004302	L154	INDUCTOR-SMD
2703-004328	L145	INDUCTOR-SMD
2703-004328	L148	INDUCTOR-SMD
2703-004328	L152	INDUCTOR-SMD
2703-004363	L104	INDUCTOR-SMD
2703-004363	L139	INDUCTOR-SMD
2703-004366	L125	INDUCTOR-SMD
2703-004366	L167	INDUCTOR-SMD
2703-004367	L166	INDUCTOR-SMD
2703-004367	L208	INDUCTOR-SMD
2703-004368	L111	INDUCTOR-SMD
2703-004371	L101	INDUCTOR-SMD
2703-004371	L130	INDUCTOR-SMD
2703-004371	L162	INDUCTOR-SMD
2703-004371	L164	INDUCTOR-SMD
2703-004501	L209	INDUCTOR-SMD
2703-004501	L210	INDUCTOR-SMD
2703-004543	L1106	INDUCTOR-SMD
2703-004635	L802	INDUCTOR-SMD
2703-004640	L800	INDUCTOR-SMD
2703-004640	L804	INDUCTOR-SMD
2703-004640	L805	INDUCTOR-SMD
2703-004640	L806	INDUCTOR-SMD
2703-004640	L809	INDUCTOR-SMD
2703-004640	L810	INDUCTOR-SMD
2703-004644	L803	INDUCTOR-SMD
2703-004644	L807	INDUCTOR-SMD
2703-004662	L400	INDUCTOR-SMD
2703-004662	L402	INDUCTOR-SMD
2703-004662	L404	INDUCTOR-SMD
2703-004669	L808	INDUCTOR-SMD

Main Electrical Parts List

SEC CODE	Design LOC	Description
2703-004670	L401	INDUCTOR-SMD
2703-004670	L403	INDUCTOR-SMD
2801-004931	OSC201	CRYSTAL-UNIT
2801-005149	OSC600	CRYSTAL-UNIT
2801-005270	OSC801	CRYSTAL-UNIT
2801-005293	OSC200	CRYSTAL-UNIT
2801-005300	OSC400	CRYSTAL-UNIT
2805-001104	OSC800	OSCILLATOR
2901-001690	C1172	FILTER-EMI SMD
2901-001690	C1173	FILTER-EMI SMD
2901-001690	C1174	FILTER-EMI SMD
2901-001690	C1175	FILTER-EMI SMD
2901-001690	C511	FILTER-EMI SMD
2901-001690	C512	FILTER-EMI SMD
2901-001690	C513	FILTER-EMI SMD
2901-001690	C514	FILTER-EMI SMD
2901-001690	C515	FILTER-EMI SMD
2901-001690	C700	FILTER-EMI SMD
2901-001690	C701	FILTER-EMI SMD
2901-001690	C702	FILTER-EMI SMD
2901-001690	C703	FILTER-EMI SMD
2901-001690	C734	FILTER-EMI SMD
2901-001690	C735	FILTER-EMI SMD
2901-001690	C736	FILTER-EMI SMD
2901-001690	C737	FILTER-EMI SMD
2901-001690	C746	FILTER-EMI SMD
2901-001690	C747	FILTER-EMI SMD
2901-001690	C748	FILTER-EMI SMD
2901-001690	C749	FILTER-EMI SMD
2901-001690	C764	FILTER-EMI SMD
2901-001690	C777	FILTER-EMI SMD
2901-001690	C778	FILTER-EMI SMD
2901-001690	C779	FILTER-EMI SMD
2901-001690	C780	FILTER-EMI SMD
2901-001731	F1100	FILTER-EMI SMD
2901-001731	F1101	FILTER-EMI SMD

SEC CODE	Design LOC	Description
2901-001731	F1102	FILTER-EMI SMD
2901-001743	F1103	FILTER-EMI SMD
2901-001743	F1104	FILTER-EMI SMD
2901-001743	F1105	FILTER-EMI SMD
2901-001743	F1106	FILTER-EMI SMD
2901-001743	F1107	FILTER-EMI SMD
2904-001959	F202	FILTER-SAW
2904-001988	F200	FILTER-SAW
2904-001990	F201	FILTER-SAW
2904-002017	F103	FILTER-SAW
2904-002018	F100	FILTER-SAW
2904-002019	F105	FILTER-SAW
2909-001376	F102	FILTER-DUPLEXER
2910-000186	F104	FILTER
2911-000242	F101	FILTER
2911-000243	U106	FILTER
3003-001199	MIC1000	MIC-CONDENSOR
3003-001199	MIC1001	MIC-CONDENSOR
3301-001438	L405	CORE-FERRITE BEAD
3301-001534	L1007	CORE-FERRITE BEAD
3301-001659	L200	CORE-FERRITE BEAD
3301-001729	L1100	CORE-FERRITE BEAD
3301-001729	L1101	CORE-FERRITE BEAD
3301-001729	L1105	CORE-FERRITE BEAD
3301-001729	L1109	CORE-FERRITE BEAD
3301-001729	L1110	CORE-FERRITE BEAD
3301-001729	L1111	CORE-FERRITE BEAD
3301-001756	L1000	CORE-FERRITE BEAD
3301-001756	L1002	CORE-FERRITE BEAD
3301-001756	L1004	CORE-FERRITE BEAD
3301-001756	L909	CORE-FERRITE BEAD
3301-001756	L910	CORE-FERRITE BEAD
3301-001789	L1102	CORE-FERRITE BEAD
3301-001789	L1103	CORE-FERRITE BEAD
3301-001789	L1108	CORE-FERRITE BEAD
3301-001812	L1008	CORE-FERRITE BEAD

Main Electrical Parts List

SEC CODE	Design LOC	Description
3301-001885	L1001	CORE-FERRITE BEAD
3301-001885	L1003	CORE-FERRITE BEAD
3301-001885	L1010	CORE-FERRITE BEAD
3301-001986	L300	CORE-FERRITE BEAD
3301-002037	L901	CORE-FERRITE BEAD
3301-002078	L1005	CORE-FERRITE BEAD
3301-002078	L1006	CORE-FERRITE BEAD
3301-002228	L102	CORE-FERRITE BEAD
3301-002239	L1009	CORE-FERRITE BEAD
3301-002254	L911	CORE-FERRITE BEAD
3404-001487	TAC400	SWITCH-TACT
3404-001487	TAC401	SWITCH-TACT
3404-001487	TAC900	SWITCH-TACT
3705-001448	ANT100	CONNECTOR-COAXIAL
3705-001866	RFS100	CONNECTOR-COAXIAL
3705-001866	RFS101	CONNECTOR-COAXIAL
3711-007188	HDC1000	CONNECTOR-HEADER
3711-007746	HDC1103	CONNECTOR-HEADER
3711-008151	HDC1101	CONNECTOR-HEADER
3711-008485	BTC900	CONNECTOR-HEADER
3711-008490	HDC900	CONNECTOR-HEADER
3711-008508	HDC1102	CONNECTOR-HEADER
3711-008509	HDC1100	CONNECTOR-HEADER
3711-008511	HDC901	CONNECTOR-HEADER
3712-001373	ANT900	CONNECTOR
3712-001373	ANT901	CONNECTOR
3712-001458	ANT101	CONNECTOR
3712-001458	ANT102	CONNECTOR
3712-001458	ANT200	CONNECTOR
3712-001458	ANT201	CONNECTOR
3712-001458	ANT902	CONNECTOR
3712-001458	ANT903	CONNECTOR
4709-002177	U201	RF-MODULE
GH62-00015A	PORON1100	PORON
GH63-03214A	SC102	SHIELDCAN
GH80-03320A	R661	PB SHORT 1005

---

SEC CODE	Design LOC	Description
GH80-03321A	R1031	PB SHORT 0603
GH80-03321A	R217	PB SHORT 0603
GH80-03321A	R300	PB SHORT 0603
GH98-26898A	SC100	SHIELDCAN
GH98-26899A	SC101	SHIELDCAN
GH98-26902A	SC103	SHIELDCAN

Please consult the GSPN website (Samsung Portal) for the most recent version of the product's part list.

**SAMSUNG  
ELECTRONICS**

