


Model Name: 8I915P DUO PRO  
REV1.2

SHEET	TITLE
01	COVER SHEET
02	BLOCK DIAGRAM
03	BOM & PCB MODIFY HISTORY
04	P4_LGA775_A
05	P4_LGA775_B
06	P4_LGA775_C
07	P4_LGA775_D
08	VCORE POWER
09	GMCH-GRANTS DALE_HOST
10	GMCH-GARNTSDALE_DDR
11	GMCH-GRANTS DALE_PCI E, DMI
12	GMCH-GRANTS DALE_INT VGA
13	GMCH-GRANTS DALE_GND
14	GMCH-GRANTS DALE_PWR
15	DDR CHANNEL A
16	DDR CHANNEL B
17	DDR TERMINATION
18	PCI EXPRESS*16 SLOT
19	ICH6 PCI, USB, DMI, LAN
20	ICH6 IDE, GPIO, SATA, CTRL
21	ICH6 VCC, GND
22	CLK GEN

SHEET	TITLE
23	PCI SLOT
24	PCI EXPRESS*1 SLOT
25	ITE8712HX
26	HWMO/FAN/FWH BIOS
27	KB_MS/GAME
28	COM/LPT/FDD
29	(FRONT+REAR)USB/RING/IDE
30	AZALIA CODEC ALC880/CMI9880
31	AUDIO JACK
32	LAN BCM5705E/5751
33	LAN BCM5751
34	ATX POWER CONN.
35	ALL POWER
36	1394 TSB43AB23
37	FRONT PANEL/BZ
38	RAID VIA6410
39	RAID IDE CONNECTOR
40	GPIO TABLE
41	RESET TABLE

 COMPONENT SIDE  
 (1 oz. Copper)  
 VCC SIDE  
 (1 oz. Copper)  
 GND SIDE  
 (1 oz. Copper)  
 SOLDER SIDE  
 (1 oz. Copper)

<b>GIGABYTE</b>		
Title <b>Cover Sheet</b>		
Size Custom	Document Number <b>8I915P DUO PRO</b>	Rev <b>1.2</b>
Date: 星期四, 八月 26, 2004	Sheet 1	of 41

# BLOCK DIAGRAM

**INTEL Pentium4 LGA775**

PAGE 4, 5, 6, 7

V<sub>CORE</sub> = 1.75V / SLEEP: 1.3V  
V<sub>CC3</sub>

**CLOCK GENERATOR**

PAGE 22

CKVDD = 3.3V

**PWM/OTHER POWER**

PAGE 8, 34, 35

V<sub>CORE</sub> = 1.75V (650-1100MHz) / SLEEP: 1.3V  
5VSB = 12V / 12V, V<sub>CC3</sub>, V<sub>CC3</sub>, V<sub>DUAL</sub>  
VTT\_DDR2 = 2.5VSTR

**GMCH GRANTS DALE**

PAGE 9, 10, 11, 12, 13, 14

V<sub>CORE</sub> = 1.75V / SLEEP: 1.3V  
2.5VSTR = 2.5V (MEMORY, SUSPEND POWER)  
V<sub>DDQ</sub> = 1.5V (AGP POWER 4X, HUBLINK)

**CHANNEL A**

DDR II DIMM X 1  
DDR I DIMM X 1

PAGE 15, 17

2.5VSTR = 2.5V (MEMORY, SUSPEND POWER)  
VTT\_DDR = 1.25V

**CHANNEL B**

DDR II DIMM X 1  
DDR I DIMM X 1

PAGE 16, 17

2.5VSTR = 2.5V (MEMORY, SUSPEND POWER)  
VTT\_DDR = 1.25V

**PCI EXPRESS BY 16 PORTS**

PAGE 18

V<sub>DDQ</sub> = 1.5V (AGP POWER 4X)  
V<sub>CC3</sub> = 3.3V  
+12V = 12V  
3V<sub>DUAL</sub> = 3.3V  
V<sub>CC</sub> = 5V

GAD0-31  
ADSTB0, ADSTB0-  
ADSTB1, ADSTB1-  
SBA0-7  
SBSTB, SBSTB-  
GCB0-3-  
ST0-2

MAA0-14  
MAA\_CPC1-5  
MAB\_CPC1-5  
MDD0-63  
-DQSD0-7  
DM0-7

AGPUSB+ / -

**USB PORTS 0~7**

PAGE 29

V<sub>CC</sub> = 5V  
5VSB = 5V  
5VUSB = 5V

H<sub>L0</sub>-10  
CONTROL BUS HUB LINK

**ICH6**

PAGE 19, 20, 21

V<sub>CC25</sub> = 2.5V (IO, MEMORY, VLINK)  
3V<sub>DUAL</sub> = 3.3V (SUSPEND POWER)  
V<sub>CC3</sub> = 3.3V  
RTVDD = 3.3V

**IDE Primary**

PAGE 29

V<sub>CC</sub> = 5V

**SERIAL ATA**

PAGE 20

V<sub>CC</sub> = 5V

AMRUSB+ / -

AZALIA LINK

PCI BUS

**AC97/Azalia ALC880/CMI9880**

PAGE 30

+12V = 12V  
V<sub>CC3</sub> = 3.3V  
V<sub>CC</sub> = 5V  
AVDD = 5V

**PCI SLOT PCI EXPRESS SLOT**

PAGE 23, 24

+12 = 12V  
-12 = -12V  
V<sub>CC</sub> = 5V  
V<sub>CC3</sub> = 3V  
3V<sub>DUAL</sub> = 3V

**FWH/HWMO**

PAGE 26

V<sub>CC</sub> = 5V  
V<sub>CC3</sub> = 3V

**LAN BCM5721/5751**

PAGE 32, 33

LPC BUS

**LPC ITE8712HX**

PAGE 25

V<sub>CC</sub> = 5V  
5VSB = 5V  
VBAT = 3V

**1394 IT TSB43AB23**

PAGE 36

**RAID VIA6410**

PAGE 38, 39

**I/O PORTS :**

COMA COMB LPT PS2 IR FDD

PAGE 27, 28, 29

**AUDIO PORTS :** FRONT AUDIO

LIN\_ OUT LINE\_IN MIC  
TELE CD\_IN AUX\_IN

PAGE 31

**FRONT PANEL/BZ**

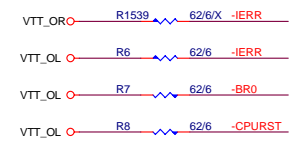
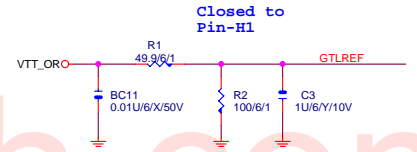
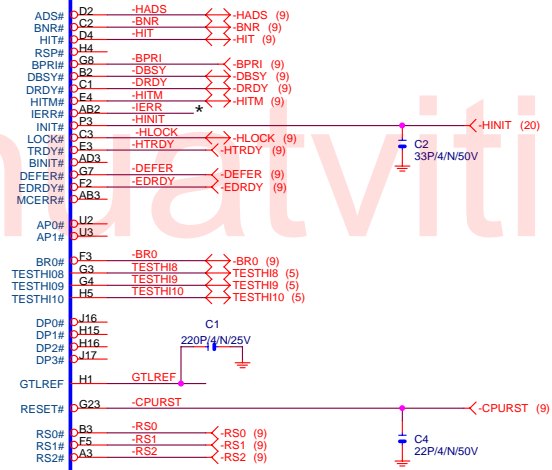
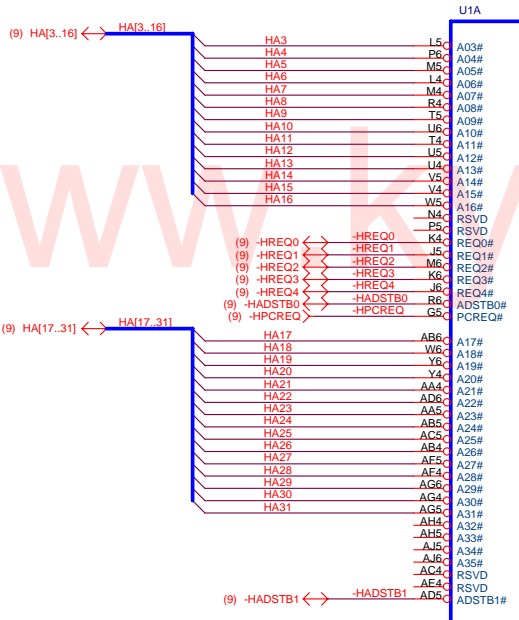
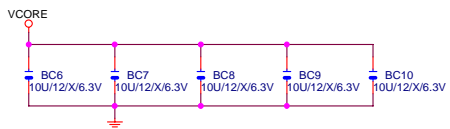
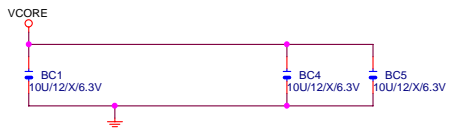
PAGE 37

V<sub>CC</sub> = 5V  
5VSB = 5V  
+12 = 12V  
PVCC = 5V

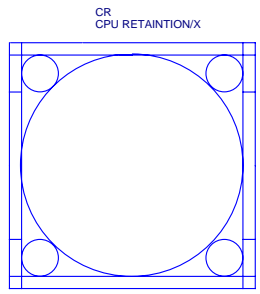
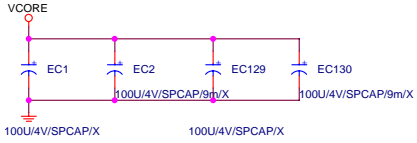
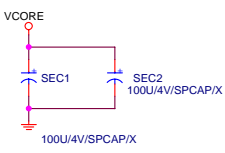
GIGABYTE

BOM & PCB MODIFY HISTORY			
File			
Size	Document Number	81915P DUO PRO	Rev 1.2
Customer			
Date	8/10/04	Sheet	2 of 41





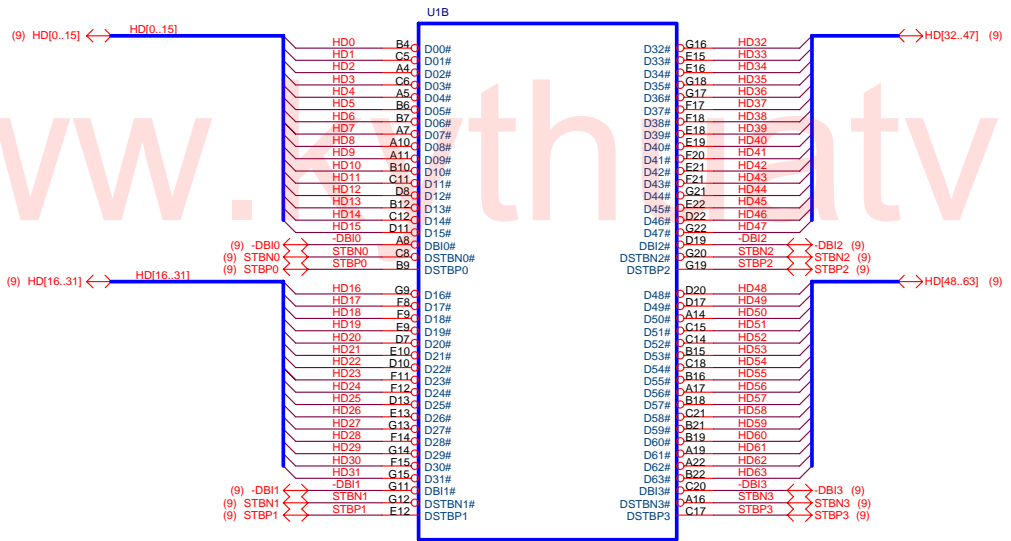
SP-CAP X 4PCS



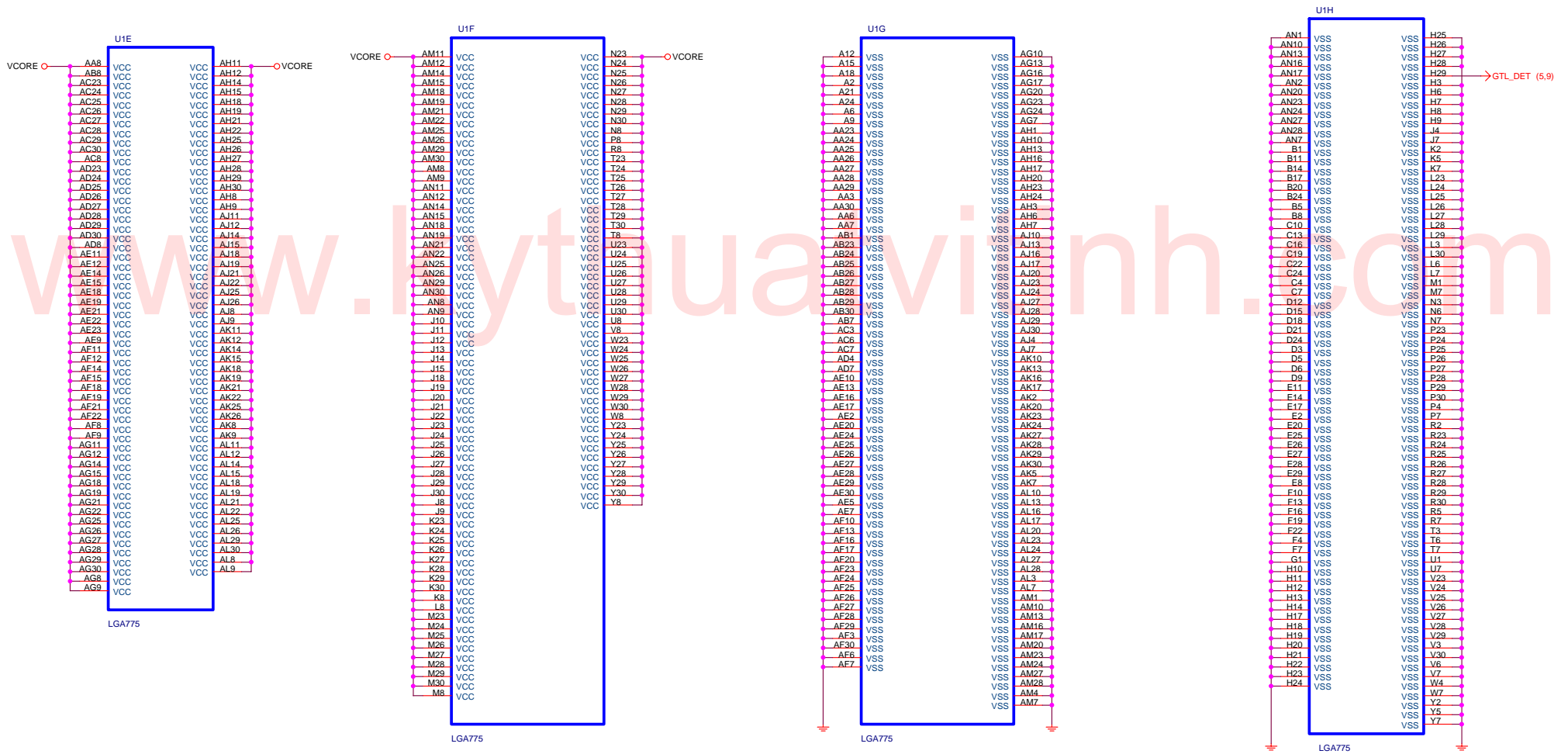
<b>GIGABYTE</b>		
Title <b>P4_LGA775-A</b>		
Size Custom	Document Number <b>8I915P DUO PRO</b>	Rev <b>1.2</b>
Date: 星期四, 八月 26, 2004	Sheet 4	of 41



www.tntvittinh.com

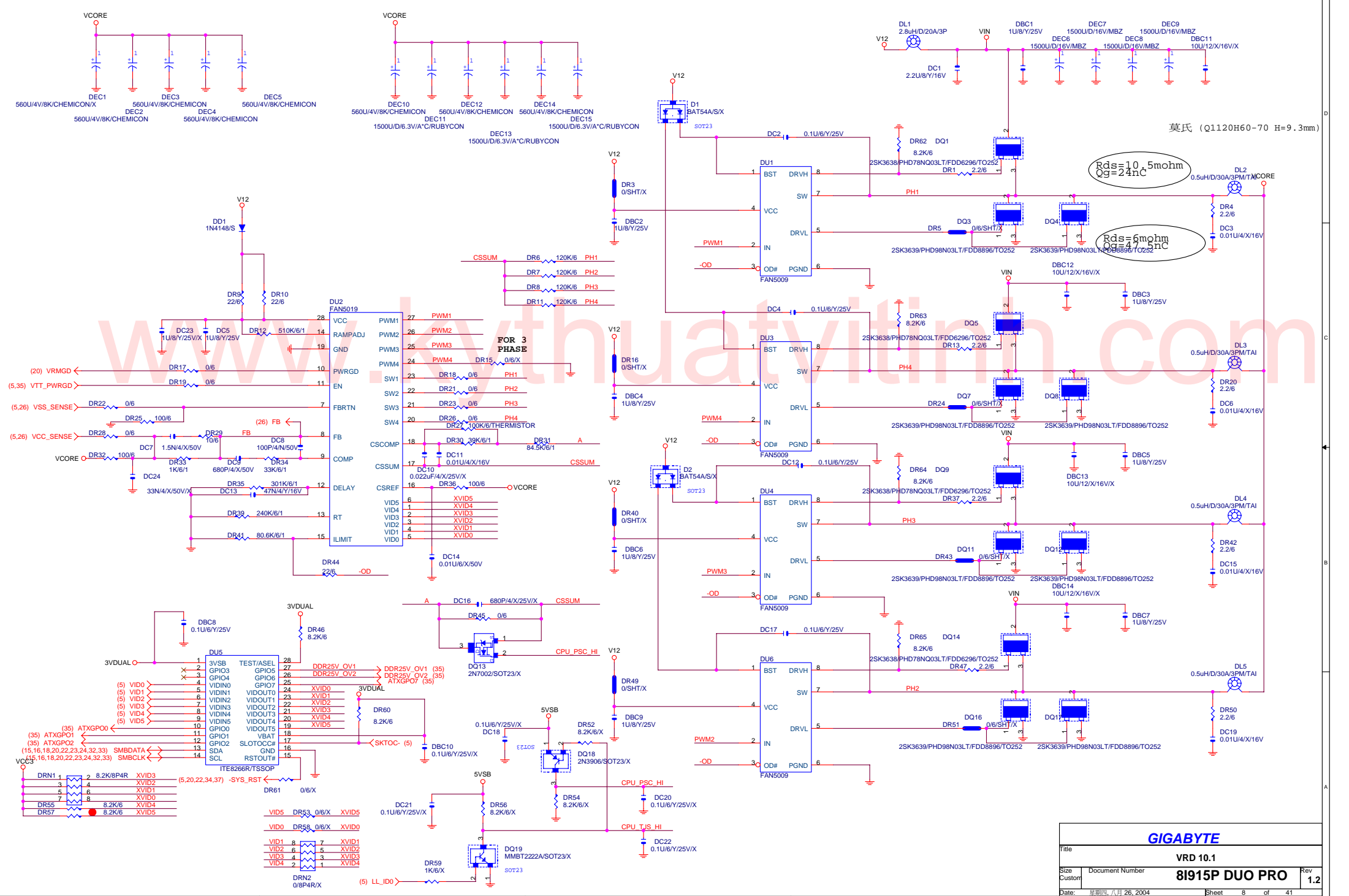


LGA775



**GIGABYTE**

Title			
P4_LGA775-D			
Size	Document Number	Rev	
Custom	81915P DUO PRO	1.2	
Date:	星期四, 八月 26, 2004	Sheet	7 of 41



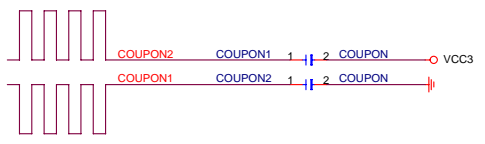
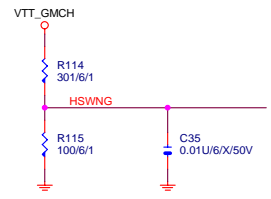
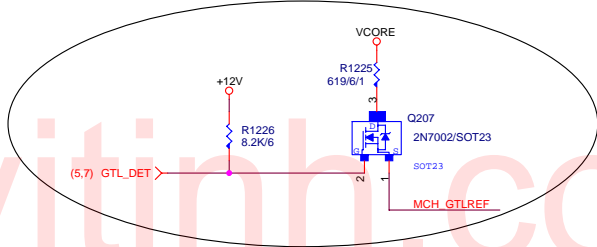
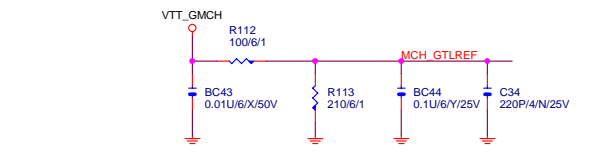
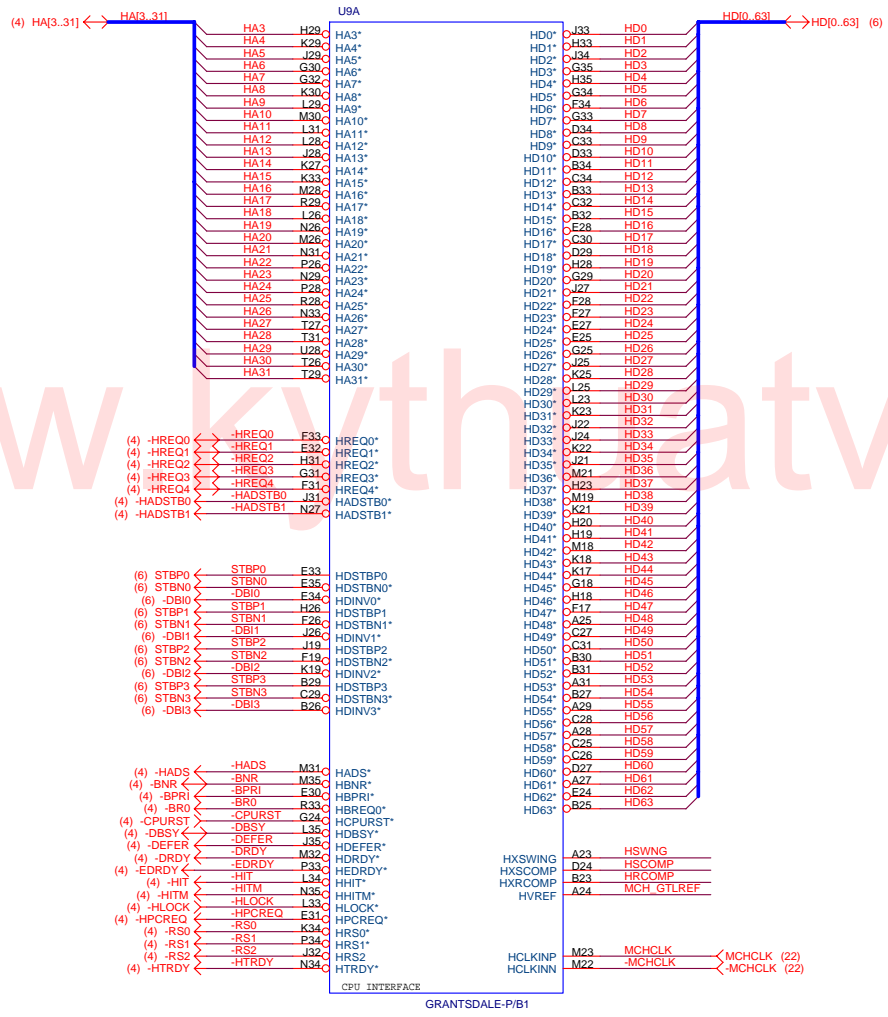
$R_{ds} = 10.5 \text{ m}\Omega$   
 $Q_g = 24 \text{ nC}$

$R_{ds} = 6 \text{ m}\Omega$   
 $Q_g = 47.5 \text{ nC}$

莫氏 (Q1120H60-70 H=9.3mm)

FOR 3 PHASE

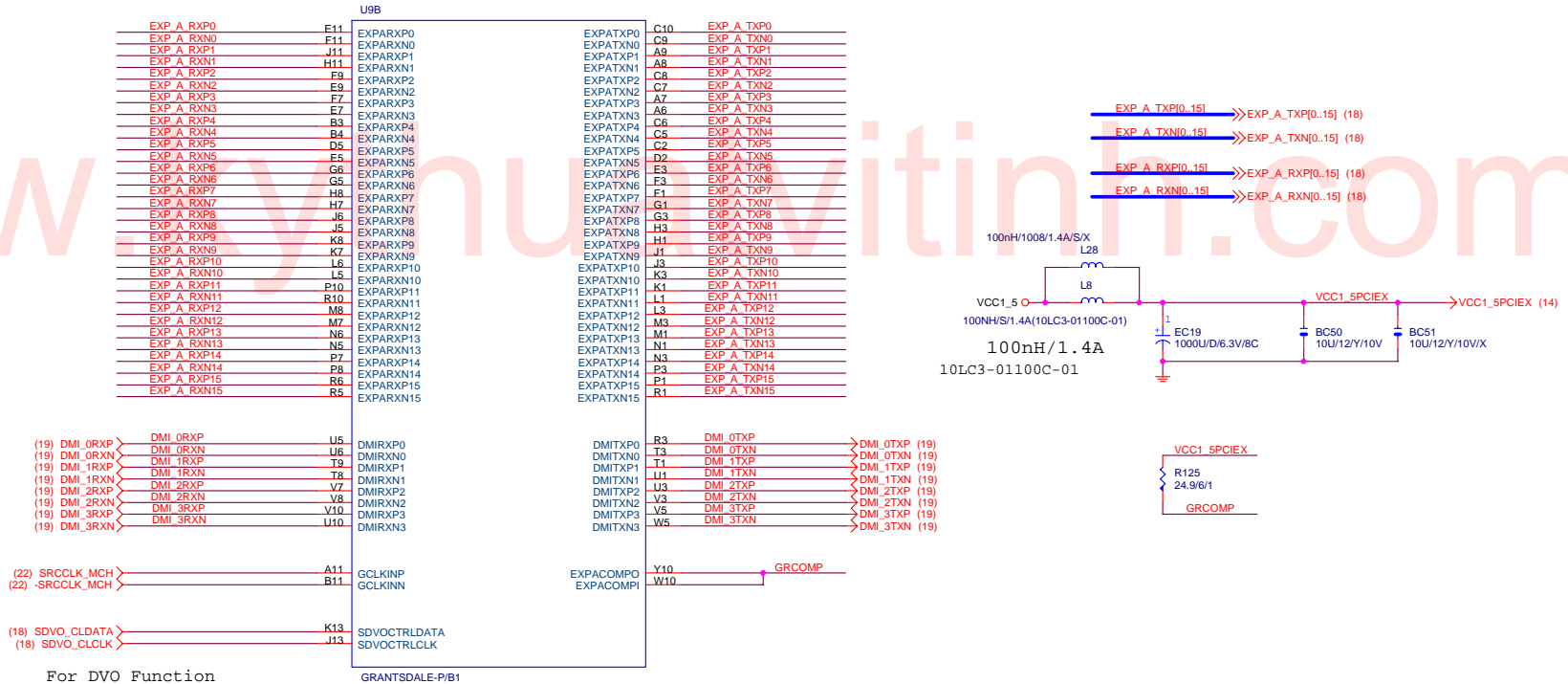
<b>GIGABYTE</b>	
<b>VRD 10.1</b>	
Size	Document Number
Custom	<b>81915P DUO PRO</b>
Date:	Rev
日期: 星期二, 八月 26, 2004	<b>1.2</b>
Sheet	of
8	41



<b>GIGABYTE</b>			
Title <b>GMCH-HOST</b>			
Size Custom	Document Number <b>8I915P DUO PRO</b>	Rev <b>1.2</b>	
Date: 星期四, 八月 26, 2004	Sheet 9	of 41	



www.skyvitin.com

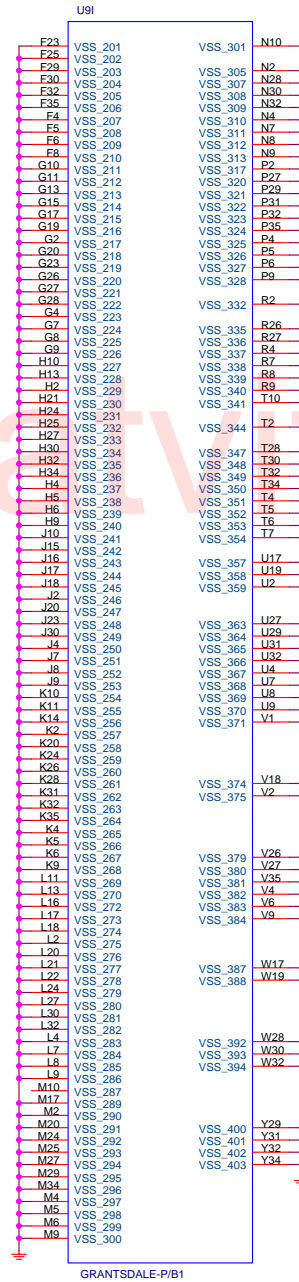
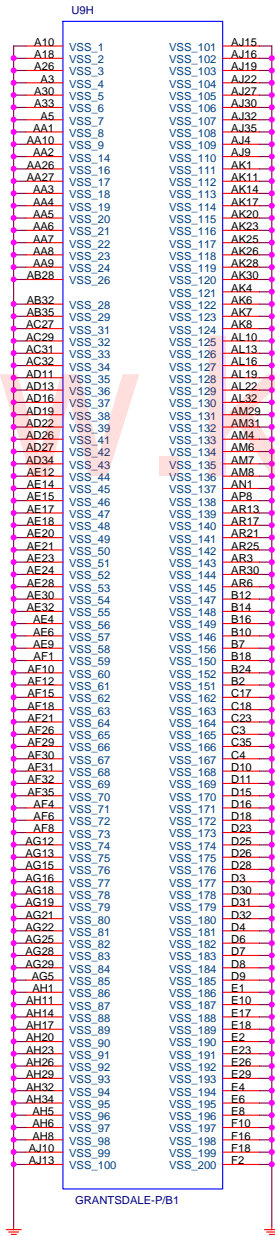


For DVO Function

GRANTSDALE-PIB1

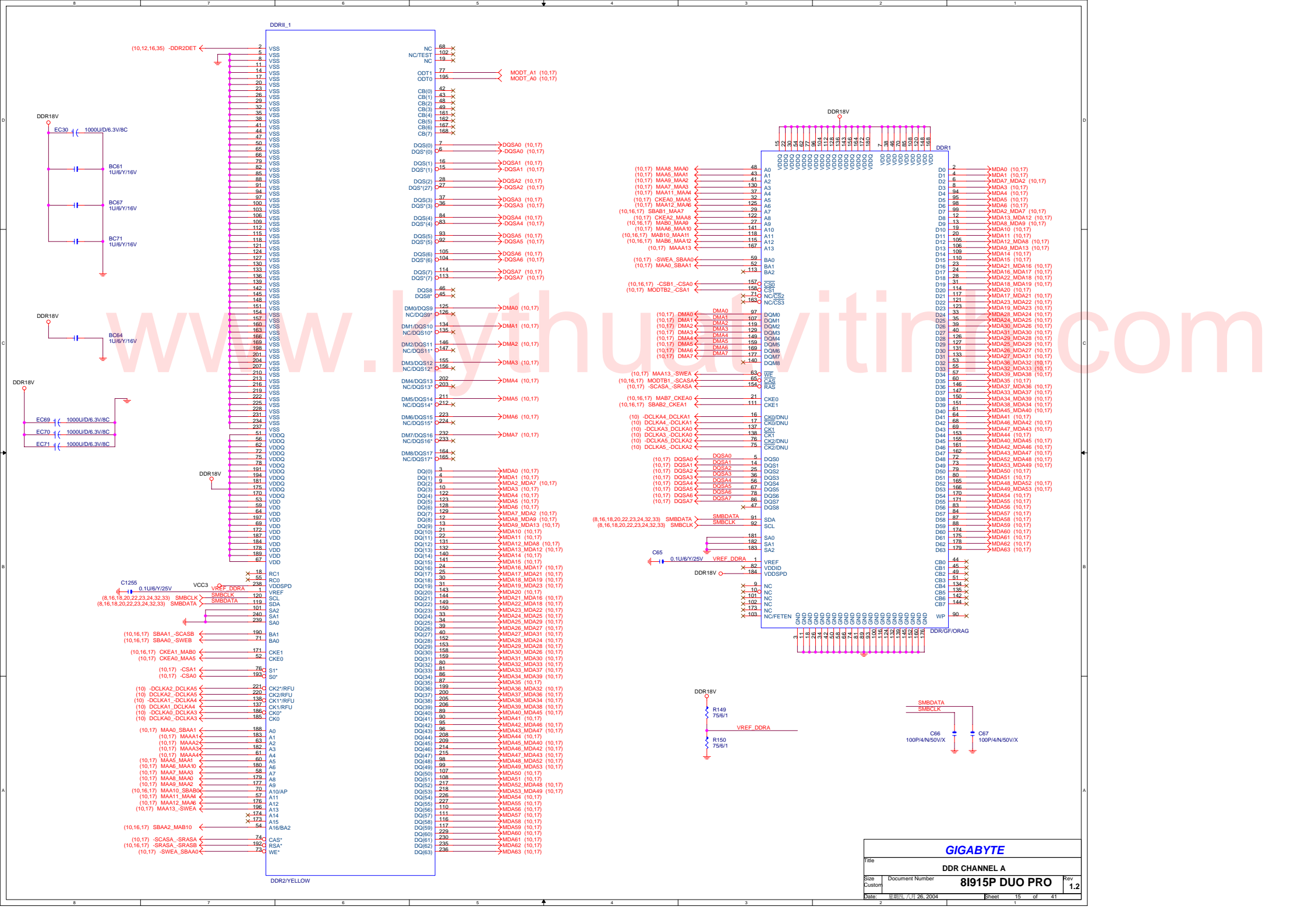
<b>GIGABYTE</b>			
Title <b>GMCH-PCI E &amp; DMI</b>			
Size	Document Number	<b>8I915P DUO PRO</b>	
Custom		Rev	<b>1.2</b>
Date:	星期四, 八月 26, 2004	Sheet	11 of 41



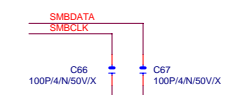
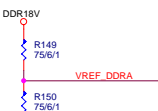
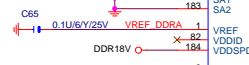
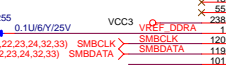
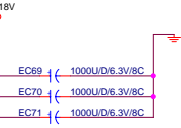
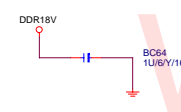
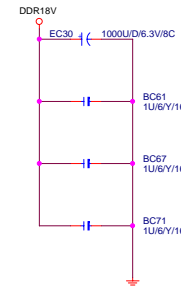


<b>GIGABYTE</b>			
Title <b>GMCH-GND</b>			
Size	Document Number	<b>8I915P DUO PRO</b>	Rev
Custom			<b>1.2</b>
Date:	星期四, 八月 26, 2004	Sheet	13 of 41

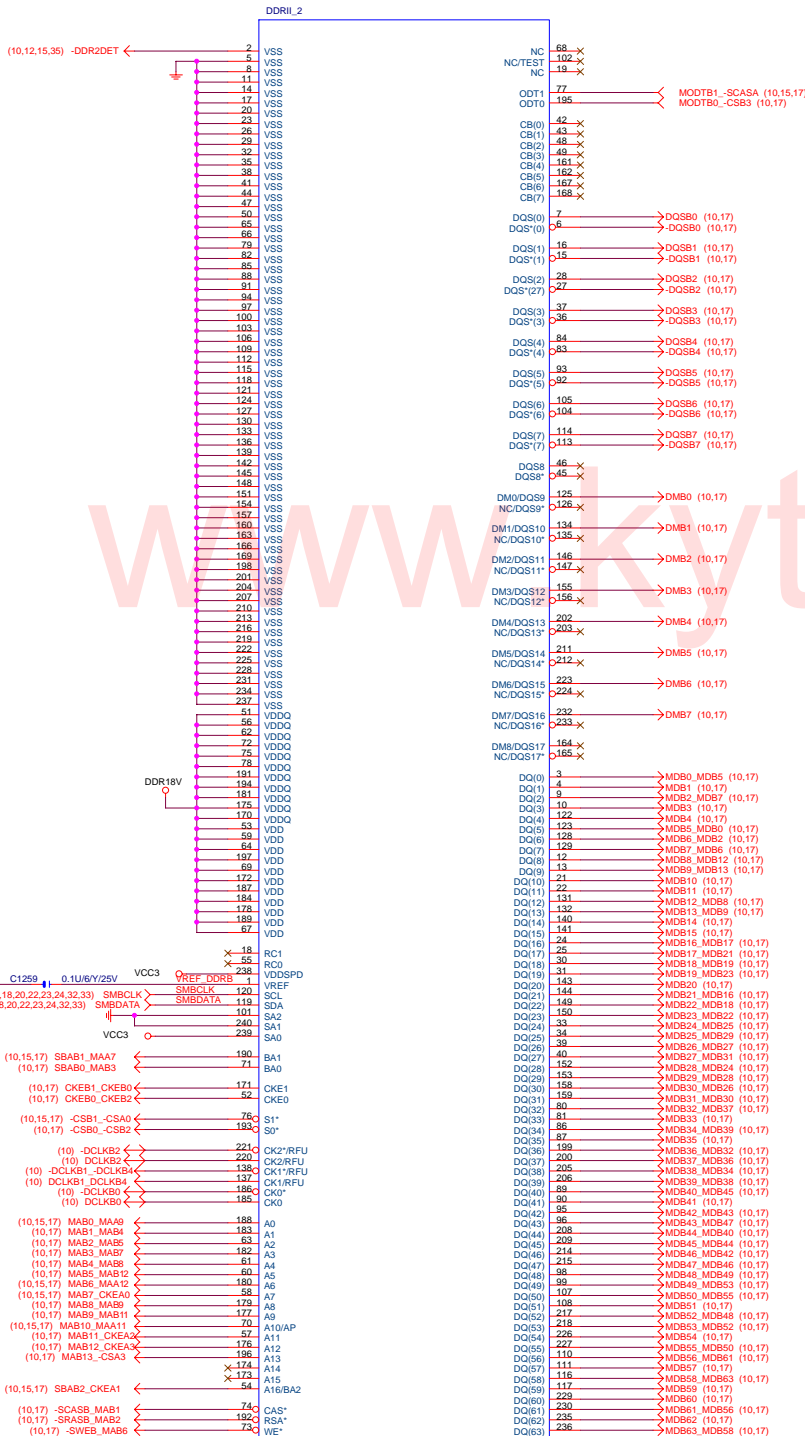




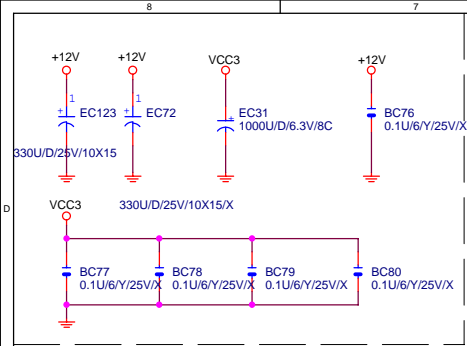
(10,12,16,35) -DDR2DET



GIGABYTE logo and document metadata including title 'DDR CHANNEL A', document number '8I915P DUO PRO', date '11/26/2004', and sheet number '15 of 41'.

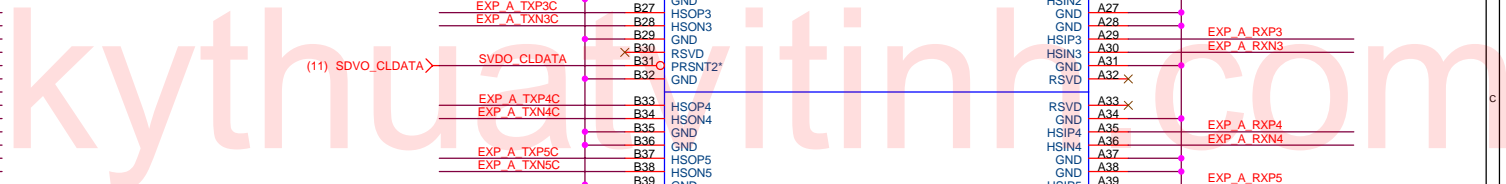
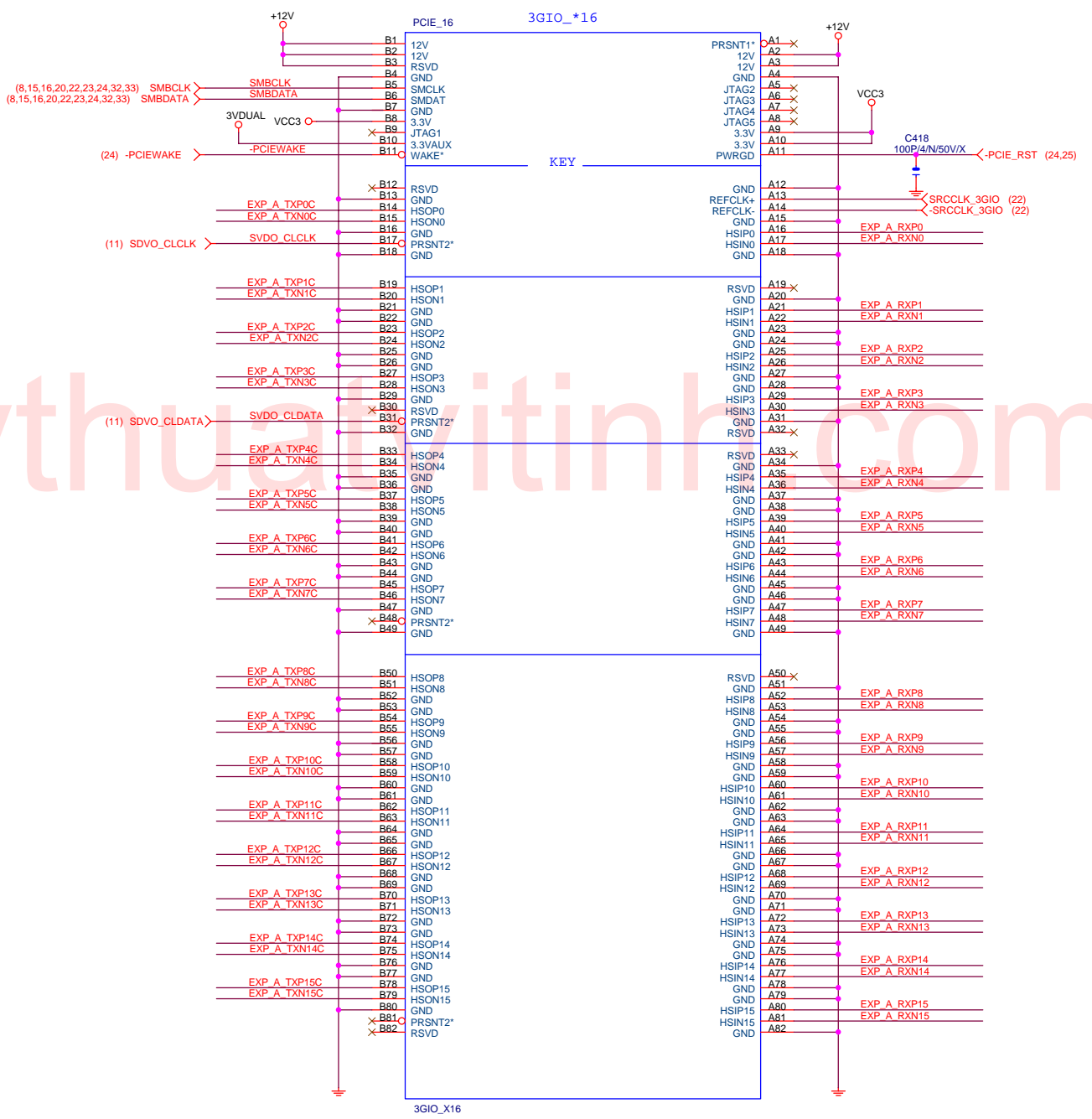




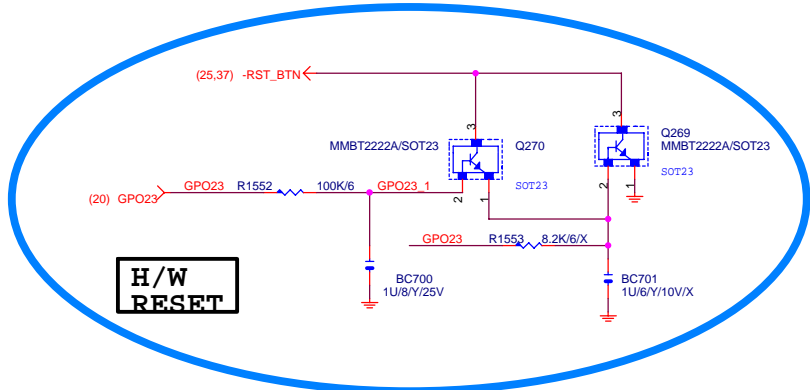


EXP A\_RXP[0..15] >>> EXP\_A\_RXP[0..15] (11)  
 EXP A\_RXN[0..15] >>> EXP\_A\_RXN[0..15] (11)  
 EXP A\_TXP[0..15] >>> EXP\_A\_TXP[0..15] (11)  
 EXP A\_TXN[0..15] >>> EXP\_A\_TXN[0..15] (11)

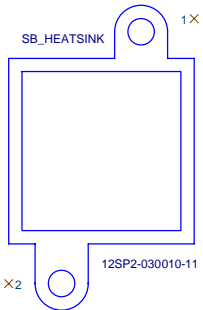
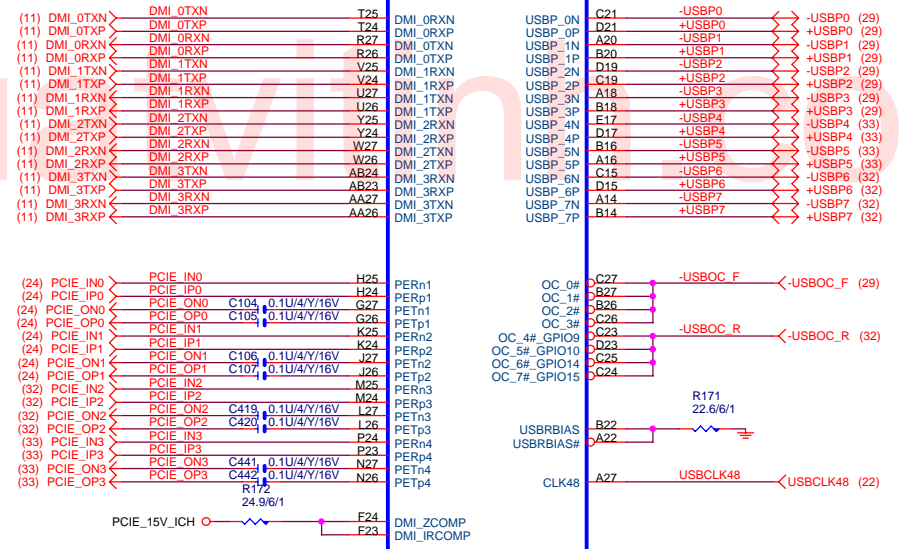
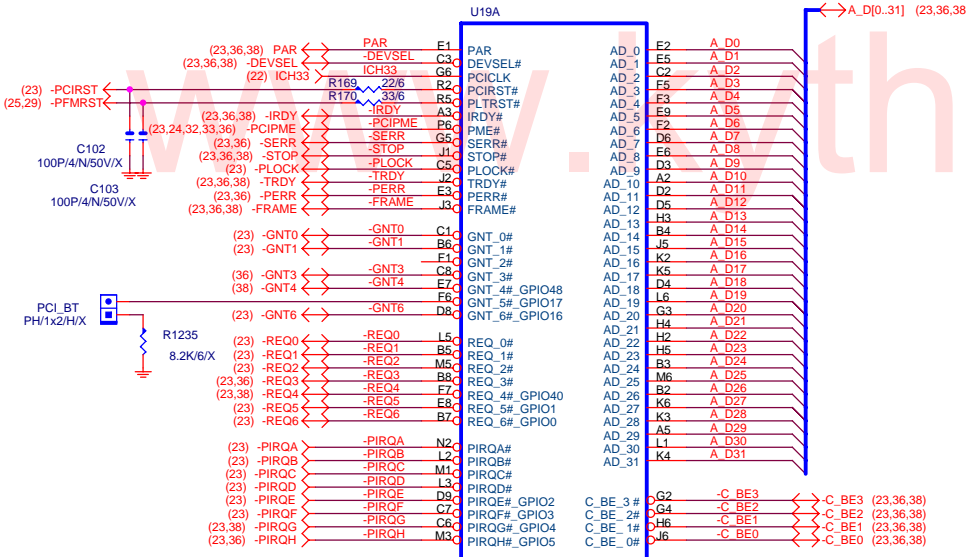
EXP A_TXP0	C70	0.1U/6/Y/25V	EXP A_TXP0C
EXP A_TXN0	C71	0.1U/6/Y/25V	EXP A_TXN0C
EXP A_TXP1	C72	0.1U/6/Y/25V	EXP A_TXP1C
EXP A_TXN1	C73	0.1U/6/Y/25V	EXP A_TXN1C
EXP A_TXP2	C74	0.1U/6/Y/25V	EXP A_TXP2C
EXP A_TXN2	C75	0.1U/6/Y/25V	EXP A_TXN2C
EXP A_TXP3	C76	0.1U/6/Y/25V	EXP A_TXP3C
EXP A_TXN3	C77	0.1U/6/Y/25V	EXP A_TXN3C
EXP A_TXP4	C78	0.1U/6/Y/25V	EXP A_TXP4C
EXP A_TXN4	C79	0.1U/6/Y/25V	EXP A_TXN4C
EXP A_TXP5	C80	0.1U/6/Y/25V	EXP A_TXP5C
EXP A_TXN5	C81	0.1U/6/Y/25V	EXP A_TXN5C
EXP A_TXP6	C82	0.1U/6/Y/25V	EXP A_TXP6C
EXP A_TXN6	C83	0.1U/6/Y/25V	EXP A_TXN6C
EXP A_TXP7	C84	0.1U/6/Y/25V	EXP A_TXP7C
EXP A_TXN7	C85	0.1U/6/Y/25V	EXP A_TXN7C
EXP A_TXP8	C86	0.1U/6/Y/25V	EXP A_TXP8C
EXP A_TXN8	C87	0.1U/6/Y/25V	EXP A_TXN8C
EXP A_TXP9	C88	0.1U/6/Y/25V	EXP A_TXP9C
EXP A_TXN9	C89	0.1U/6/Y/25V	EXP A_TXN9C
EXP A_TXP10	C90	0.1U/6/Y/25V	EXP A_TXP10C
EXP A_TXN10	C91	0.1U/6/Y/25V	EXP A_TXN10C
EXP A_TXP11	C92	0.1U/6/Y/25V	EXP A_TXP11C
EXP A_TXN11	C93	0.1U/6/Y/25V	EXP A_TXN11C
EXP A_TXP12	C94	0.1U/6/Y/25V	EXP A_TXP12C
EXP A_TXN12	C95	0.1U/6/Y/25V	EXP A_TXN12C
EXP A_TXP13	C96	0.1U/6/Y/25V	EXP A_TXP13C
EXP A_TXN13	C97	0.1U/6/Y/25V	EXP A_TXN13C
EXP A_TXP14	C98	0.1U/6/Y/25V	EXP A_TXP14C
EXP A_TXN14	C99	0.1U/6/Y/25V	EXP A_TXN14C
EXP A_TXP15	C100	0.1U/6/Y/25V	EXP A_TXP15C
EXP A_TXN15	C101	0.1U/6/Y/25V	EXP A_TXN15C



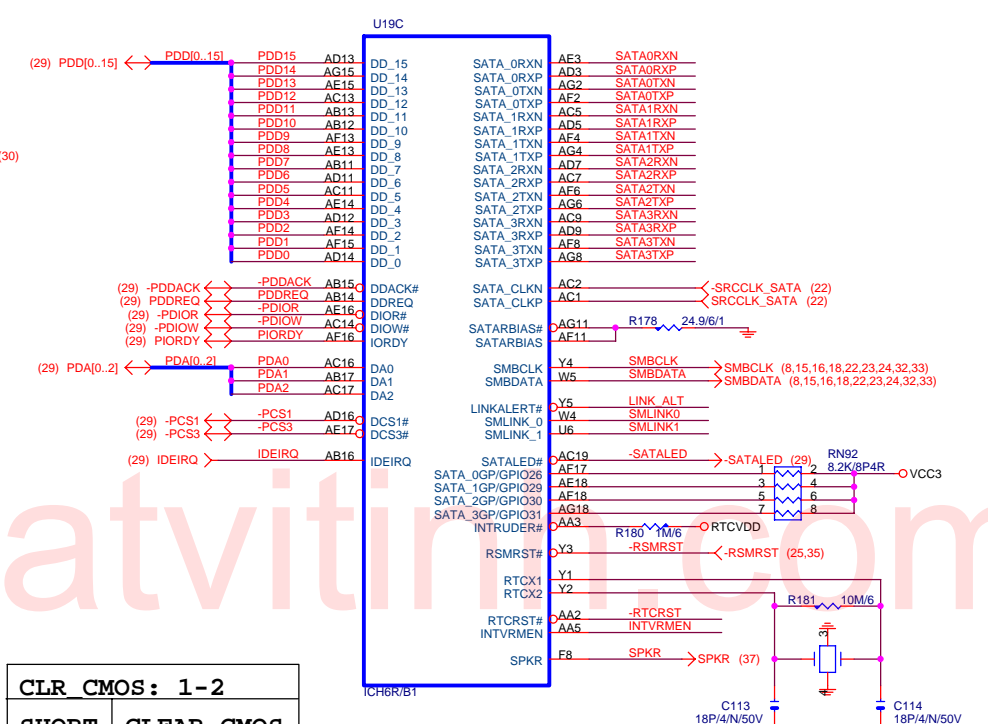
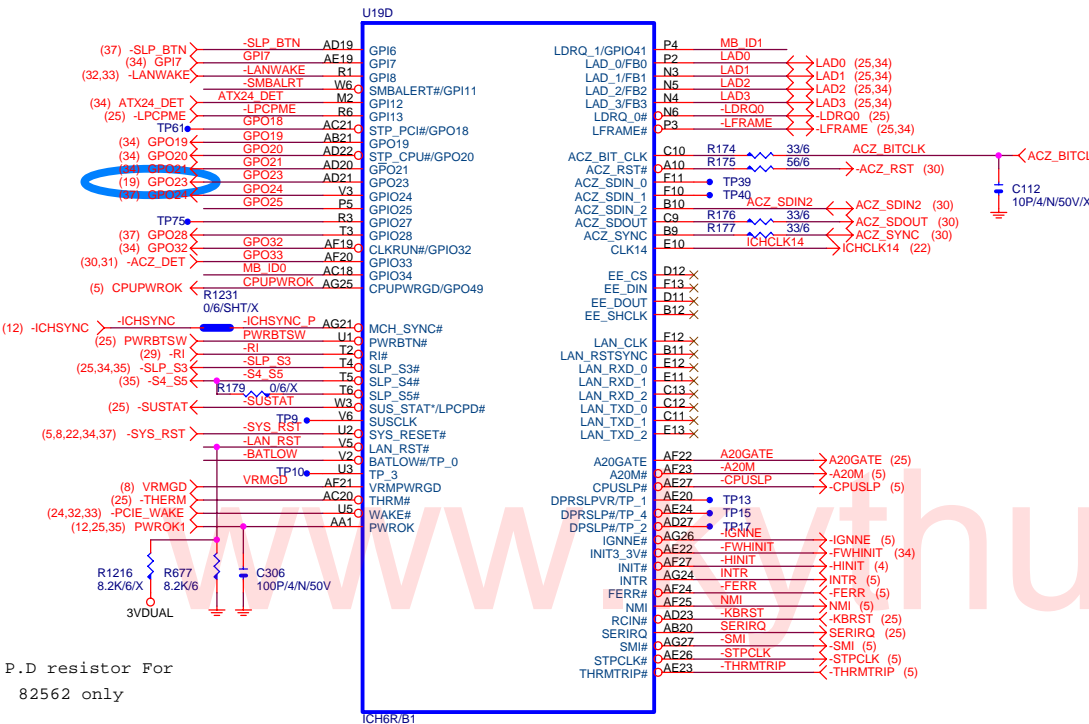
<b>GIGABYTE</b>			
PCI EXPRESS * 16			
Title	Document Number		
Size	<b>8I915P DUO PRO</b>		Rev
Custom			1.2
Date:	星期四, 六月 26, 2008	Sheet	18 of 41



DMI Connection Note  
 GMCH TX Pin Need Connect to ICH6 RX Pin  
 ICH6 TX Pin Need Connect to GMCH RX Pin

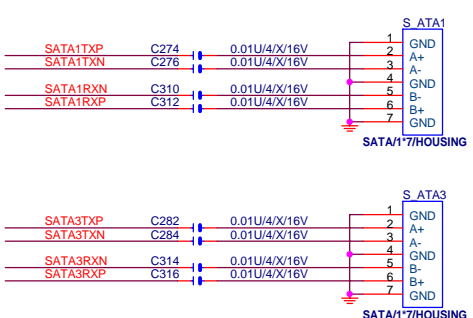
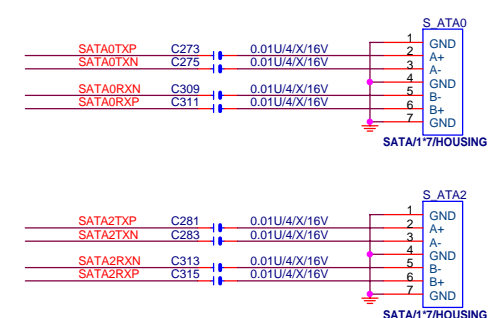
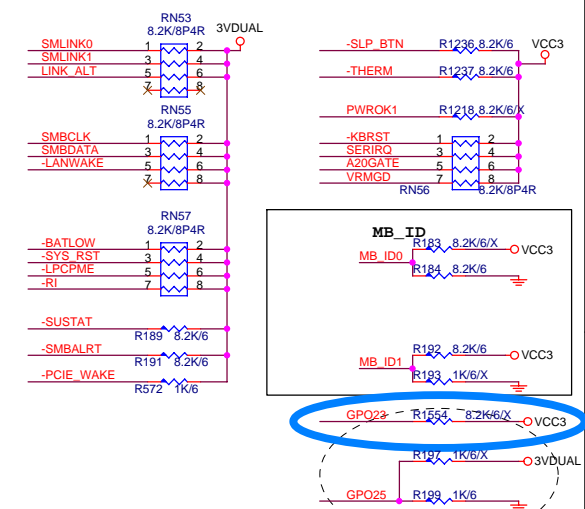
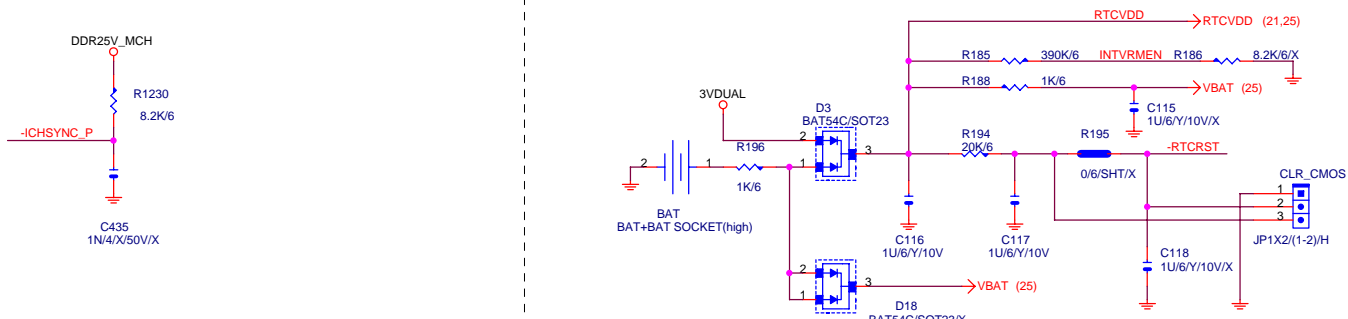


<b>GIGABYTE</b>			
Title			
ICH6-PCI, DMI, LAN, USB			
Size	Document Number	<b>8I915P DUO PRO</b>	Rev
B			1.2
Date:	星期四, 八月 26, 2004	Sheet	19 of 41



P.D resistor For 82562 only

CLR CMOS: 1-2	
SHORT	CLEAR CMOS
OPEN	NORMAL



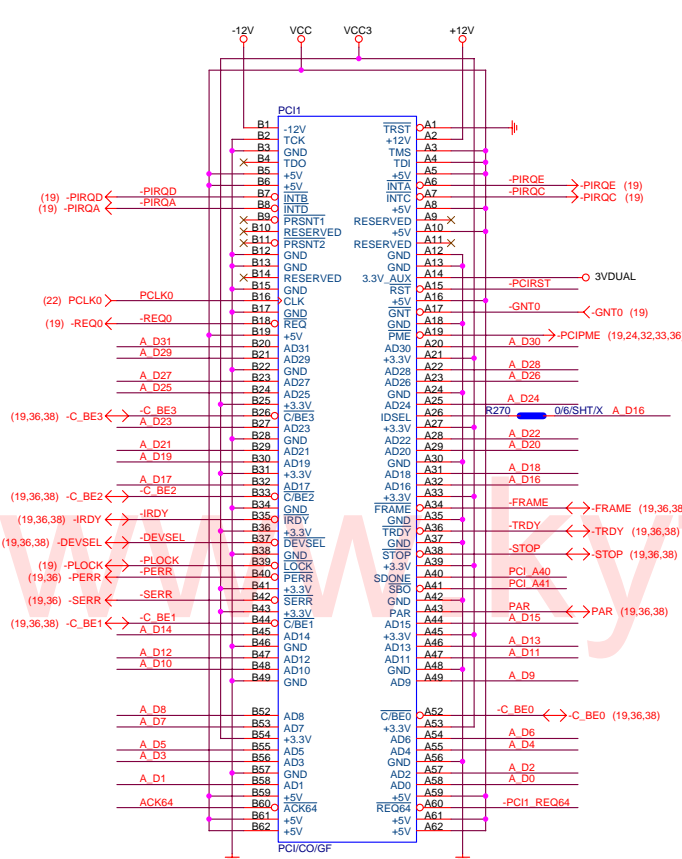
P.D RESISTOR FOR Enable VCC2\_5 INT VR

<b>GIGABYTE</b>		
<b>ICH6-IDE, SATA, GPIO, CTRL</b>		
Title	Document Number	Rev
	<b>81915P DUO PRO</b>	<b>1.2</b>
Date:	星期四, 八月 26, 2004	Sheet 20 of 41

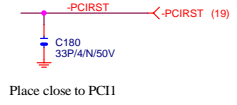
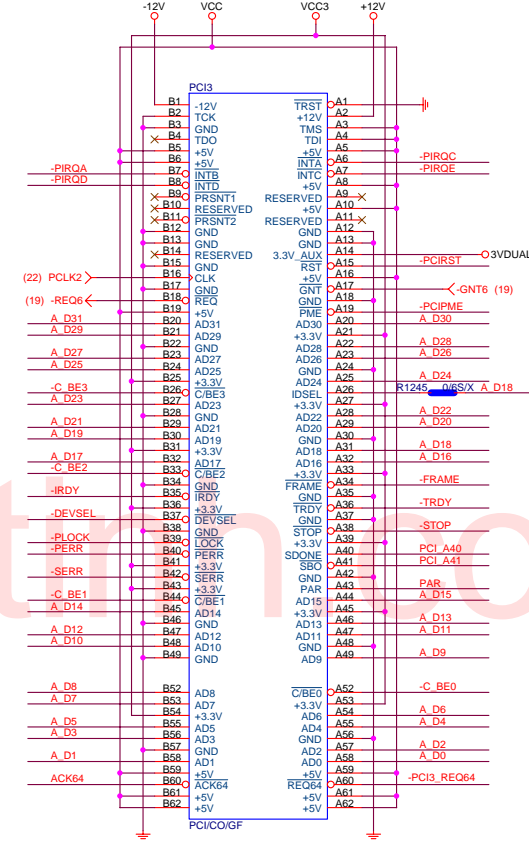
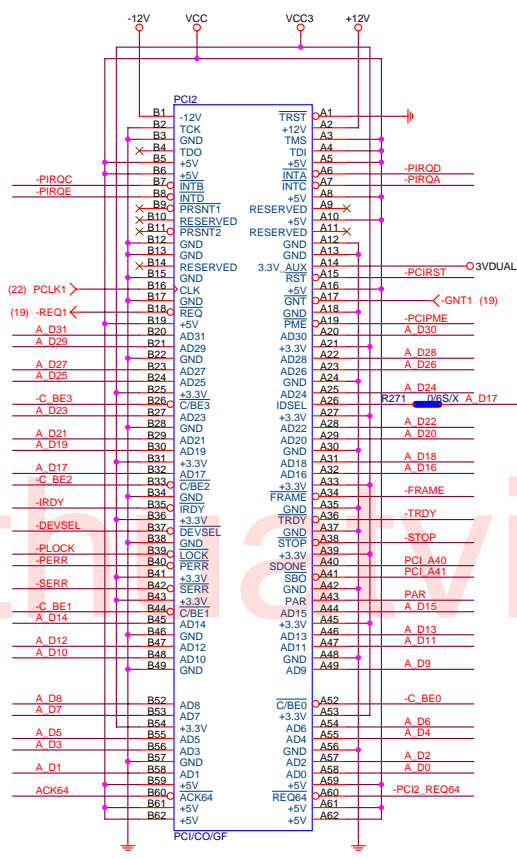
Need Change to X5R or X7R type



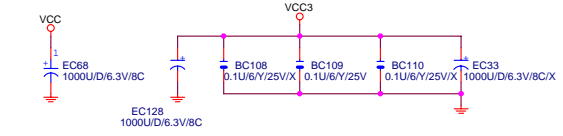
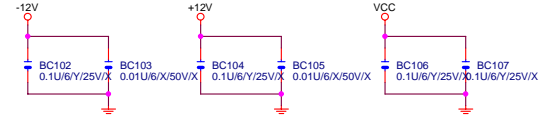
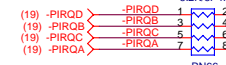
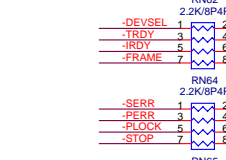
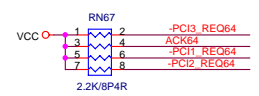
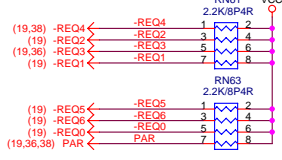




AD16 / -PIRQ (E-D-C-A) / -REQ0 / -GNT0

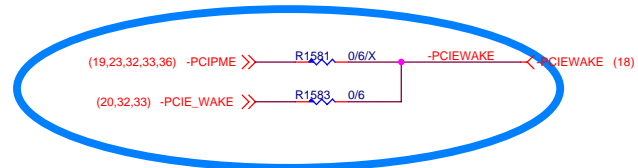
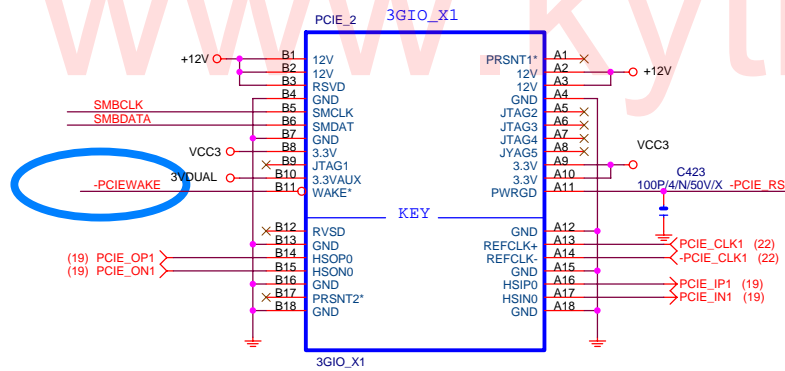
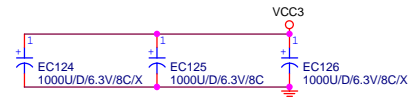
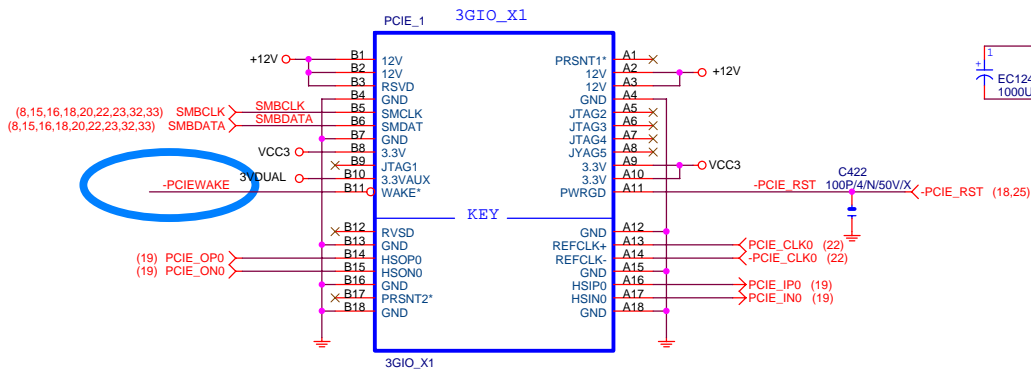


Place close to PCI1



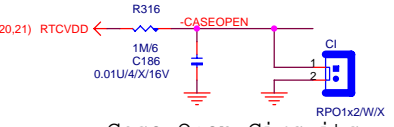
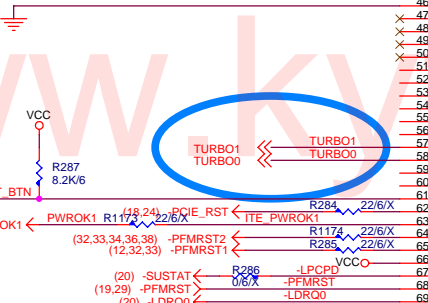
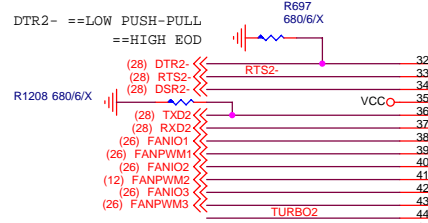
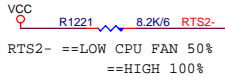
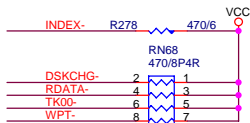
GIGABYTE

<b>PCI SLOT</b>		
<b>8I915P DUO PRO</b>		
title	Document Number	Rev
		1.2
Date:	日期: 八月 26, 2004	Sheet 23 of 41

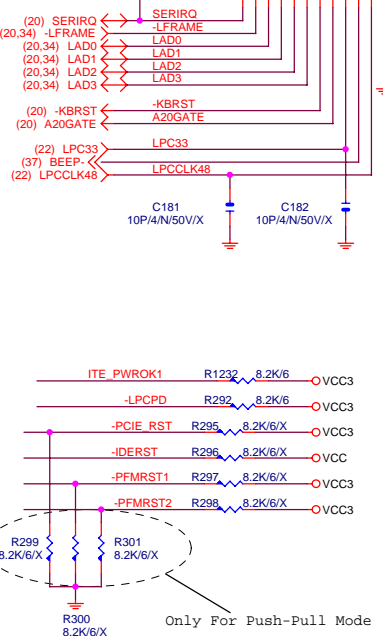
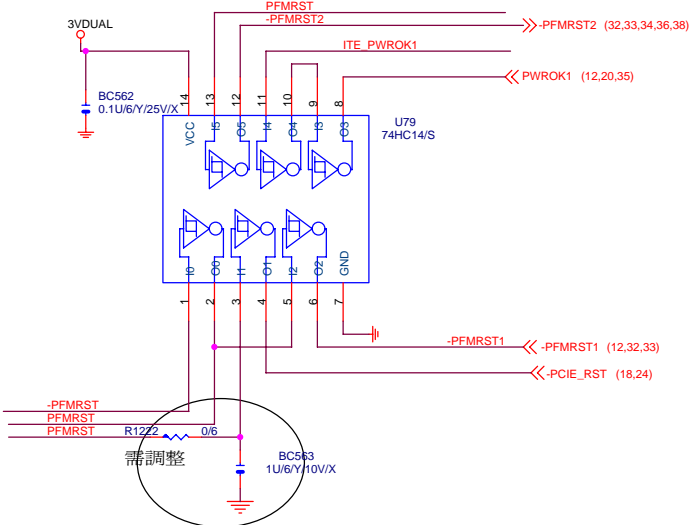


www.kythuatvithinh.com

<b>GIGABYTE</b>			
Title			
<b>PCI E SLOT</b>			
Size	Document Number	<b>8I915P DUO PRO</b>	Rev
B			1.2
Date:	星期四, 八月 26, 2004	Sheet	24 of 41
	2		1

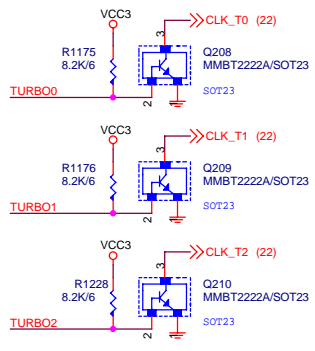
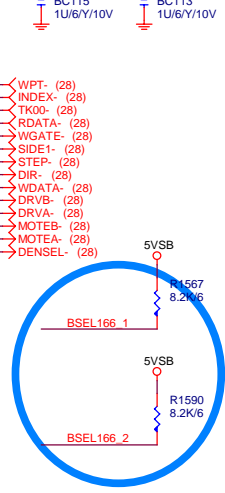
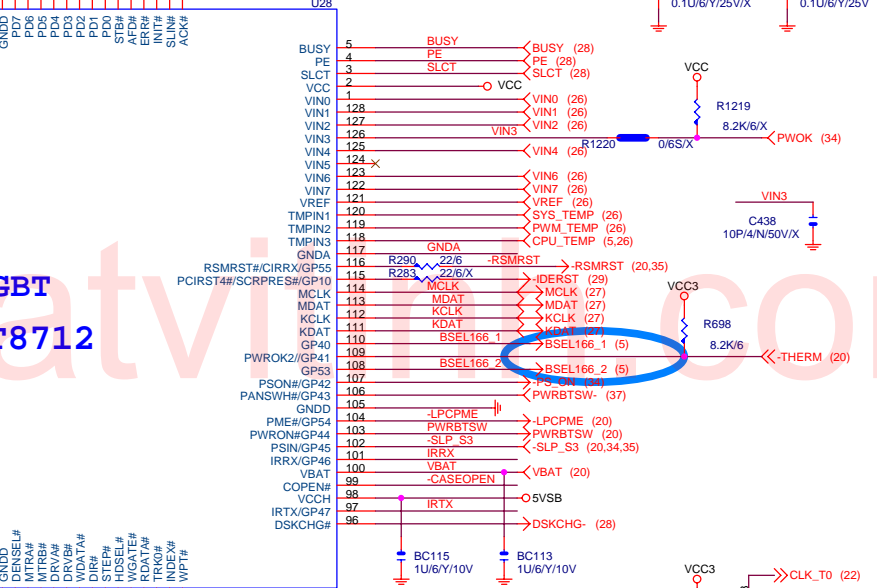
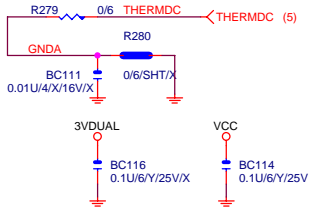
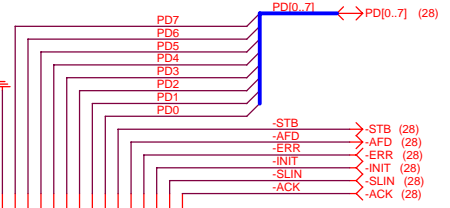


Case Open Circuits  
**CASE OPEN (N/A)**

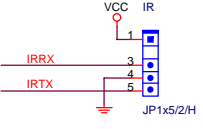


Only For Push-Pull Mode

GBT  
IT8712

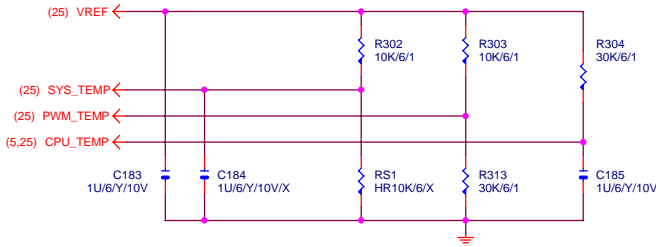


**IR CONNECTOR**

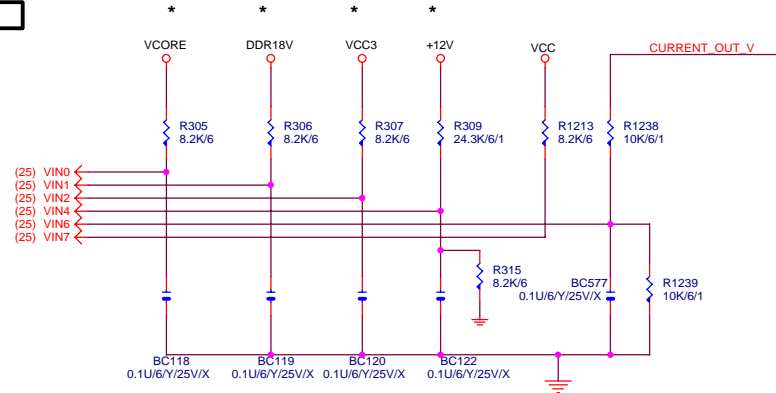


GIGABYTE			
Title <b>LPC I/O</b>			
Size <b>81915P DUO PRO</b>			
Document Number	Rev	1.2	
Date: 星期四, 八月 26, 2004	Sheet	25	of 41

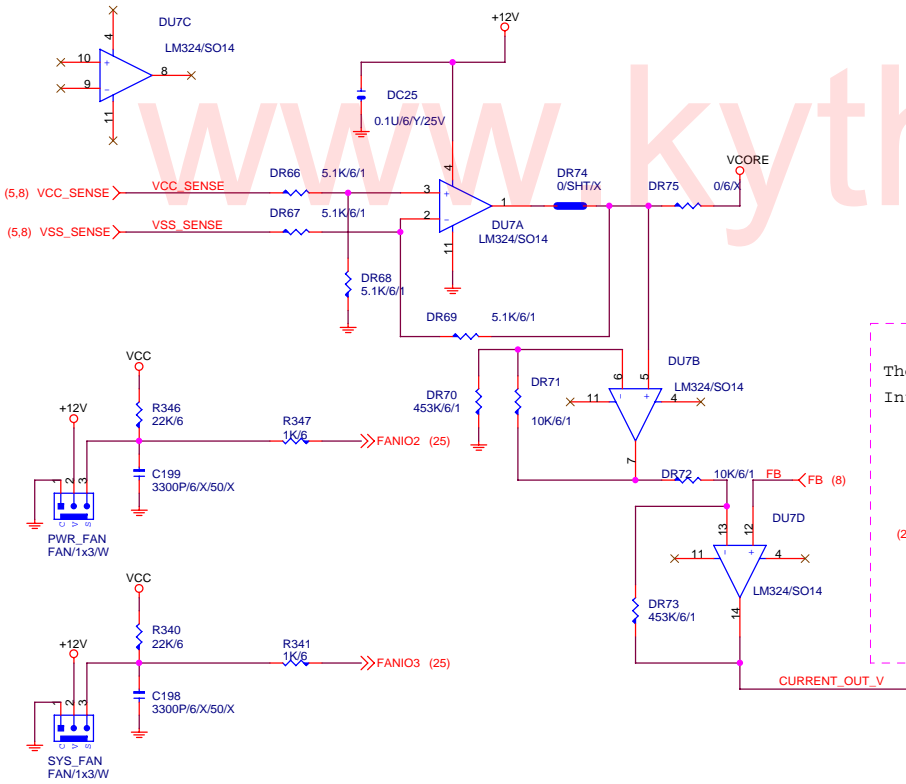
**TEMP. SENSE**



**VOLTAGE SENSE**

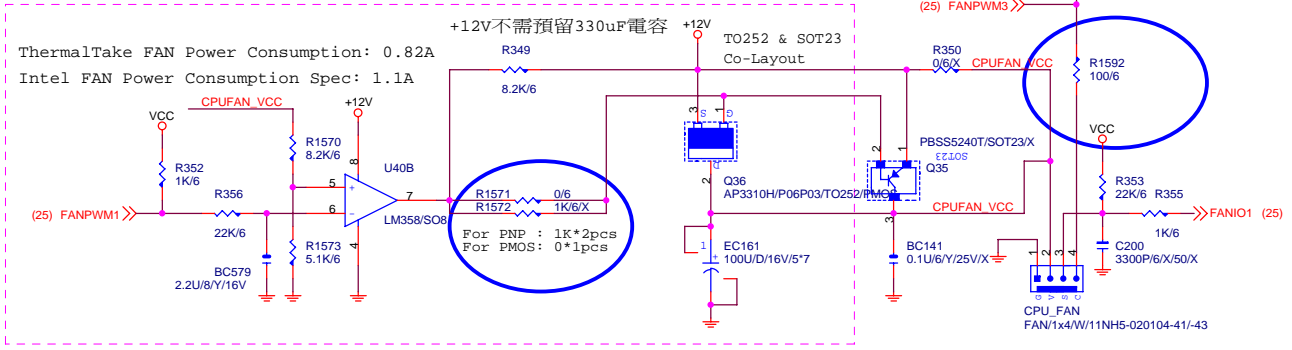


**DUAL POWER**



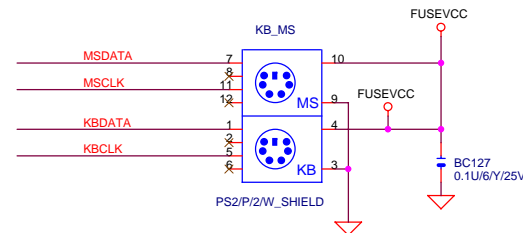
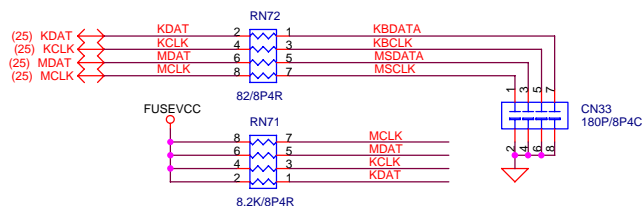
**CPU/SYS FAN**

CPUFAN_VCC	Temp (non airflow)	Temp (with airflow)
12V	Temp=40 deg	Temp=33 deg
11V	Temp=82 deg	Temp=62 deg
10V	Temp=70 deg	Temp=86 deg
9V	Temp=110 deg	Temp=117 deg
8V	Temp>200 deg	Temp>122 deg



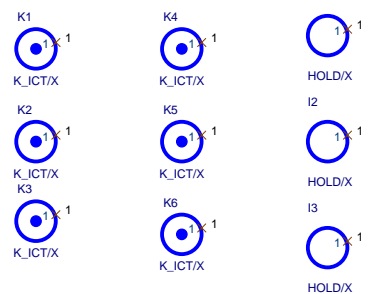
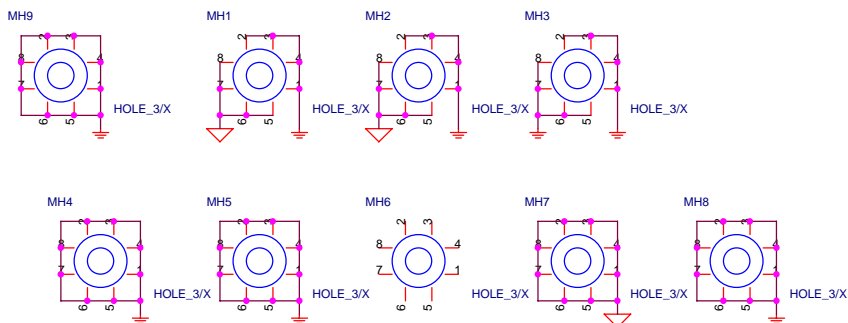
<b>GIGABYTE</b>		
Title <b>HWM/FANCI/BIOS</b>		
Size Custom	Document Number <b>8I915P DUO PRO</b>	Rev <b>1.2</b>
Date: 星期四, 八月 26, 2004	Sheet 26	of 41

**KB/MS**



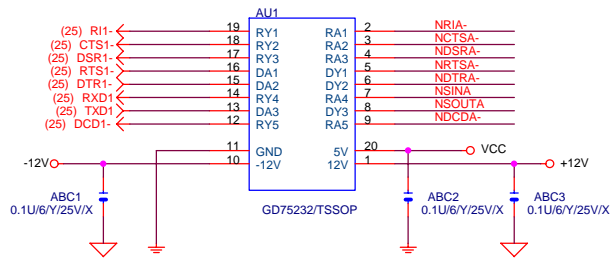
**GAME PORT (N/A)**

www.kythuatchitinh.com

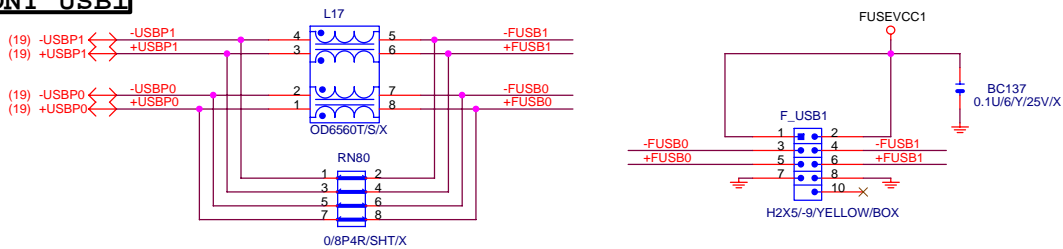


<b>GIGABYTE</b>		
<b>Title</b>		
<b>PS/2 KB &amp; MS</b>		
Size	Document Number	Rev
B	<b>8I915P DUO PRO</b>	<b>1.2</b>
Date:	星期四, 八月 26, 2004	Sheet 27 of 41

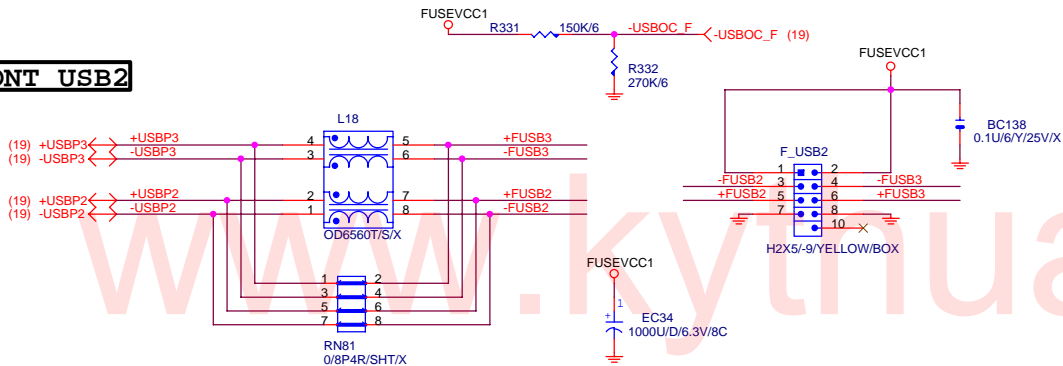
**COMA / COMB**



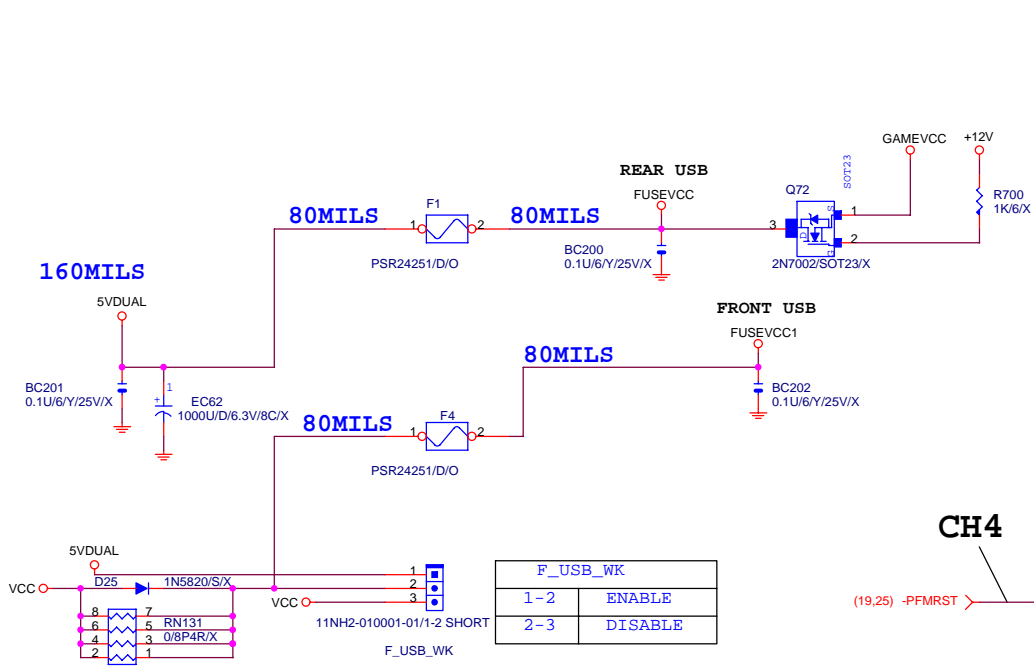
### FRONT USB1



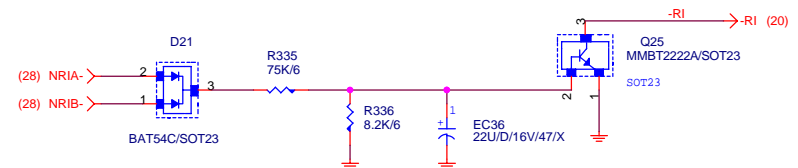
### FRONT USB2



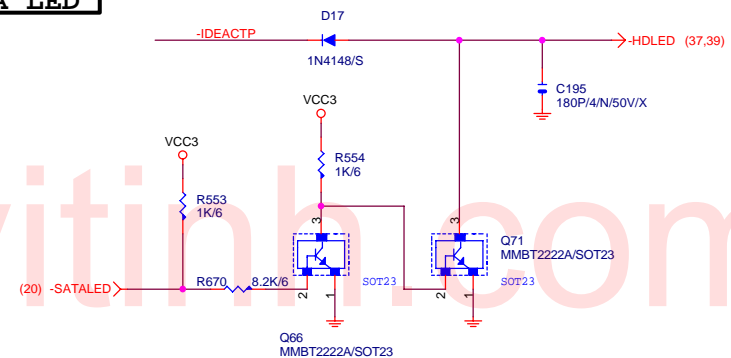
### FUSEVCC, GAMEVCC



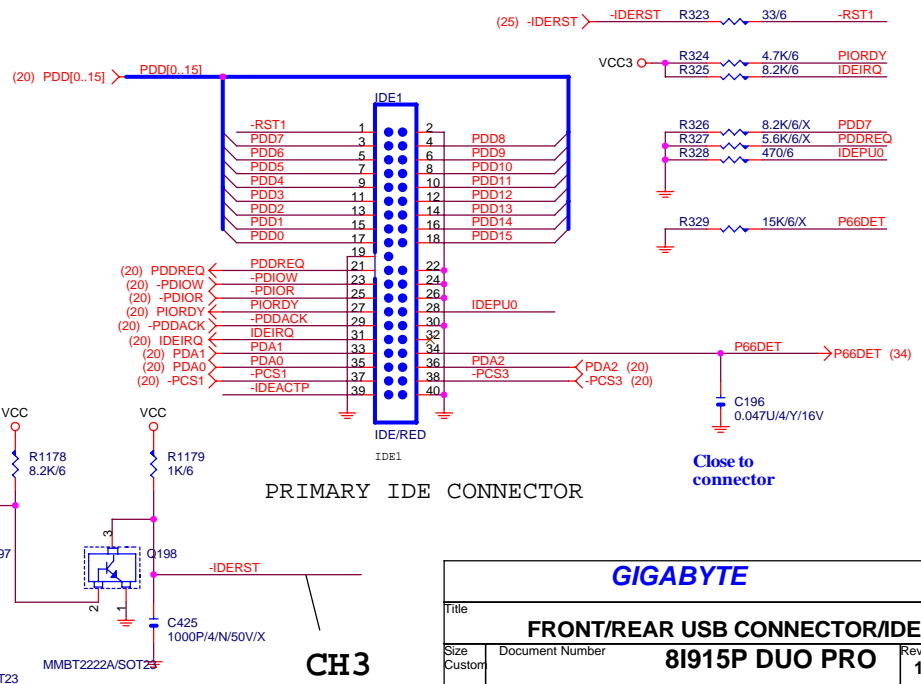
### RING IN



### IDE/SATA LED



### IDE



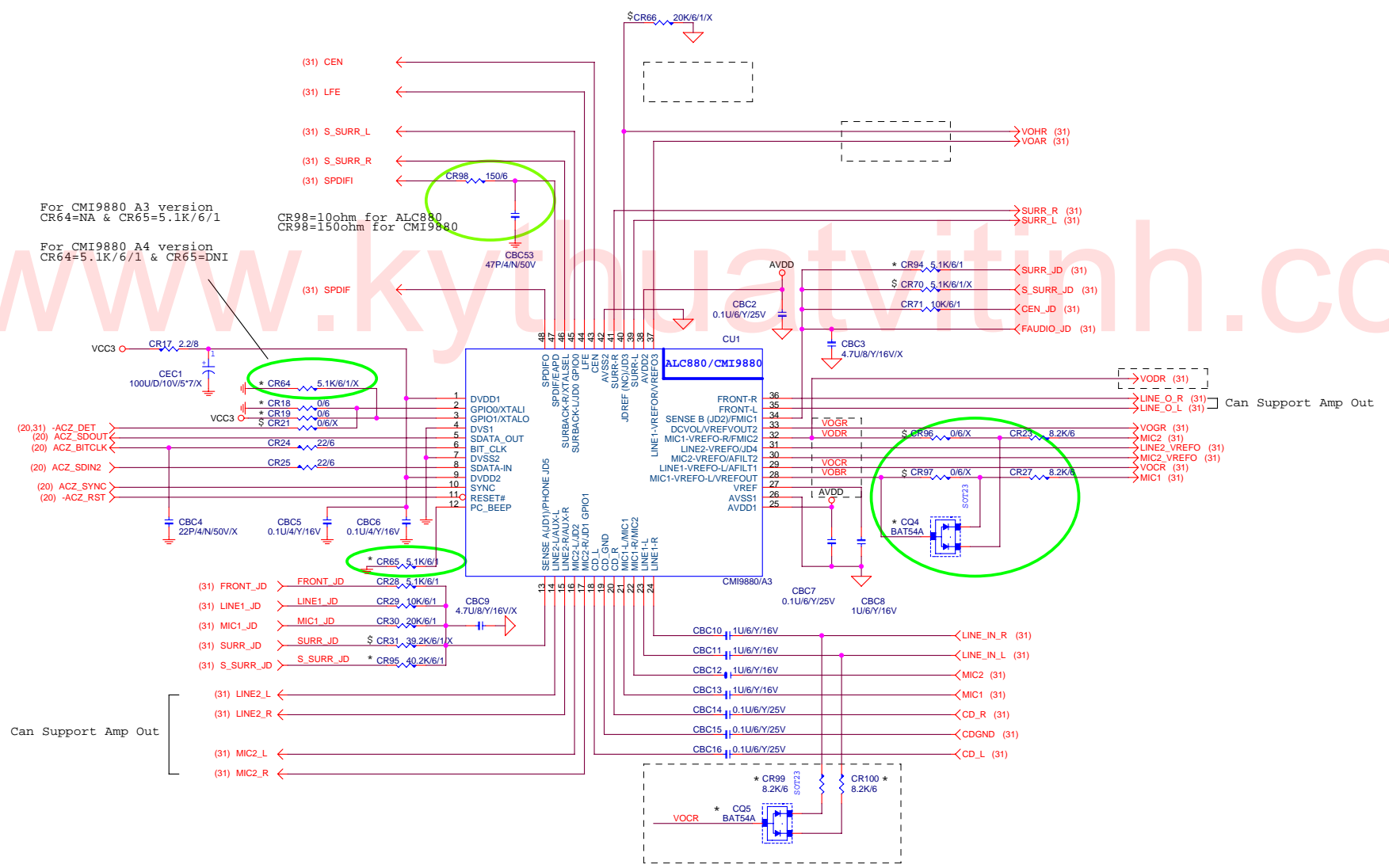
**GIGABYTE**

Title: **FRONT/REAR USB CONNECTOR/IDE**

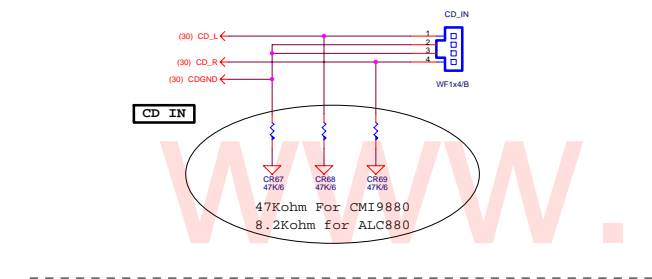
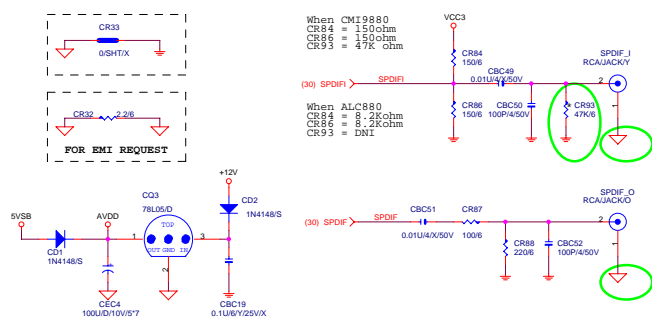
Size Custom: Document Number **81915P DUO PRO** Rev **1.2**

Date: 星期四, 八月 26, 2004 Sheet 29 of 41

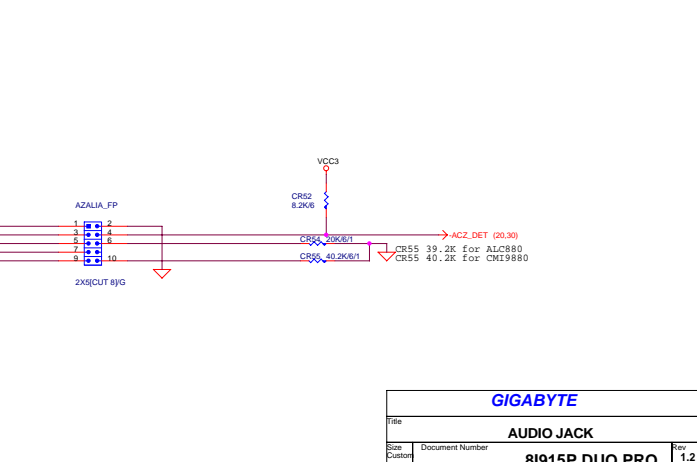
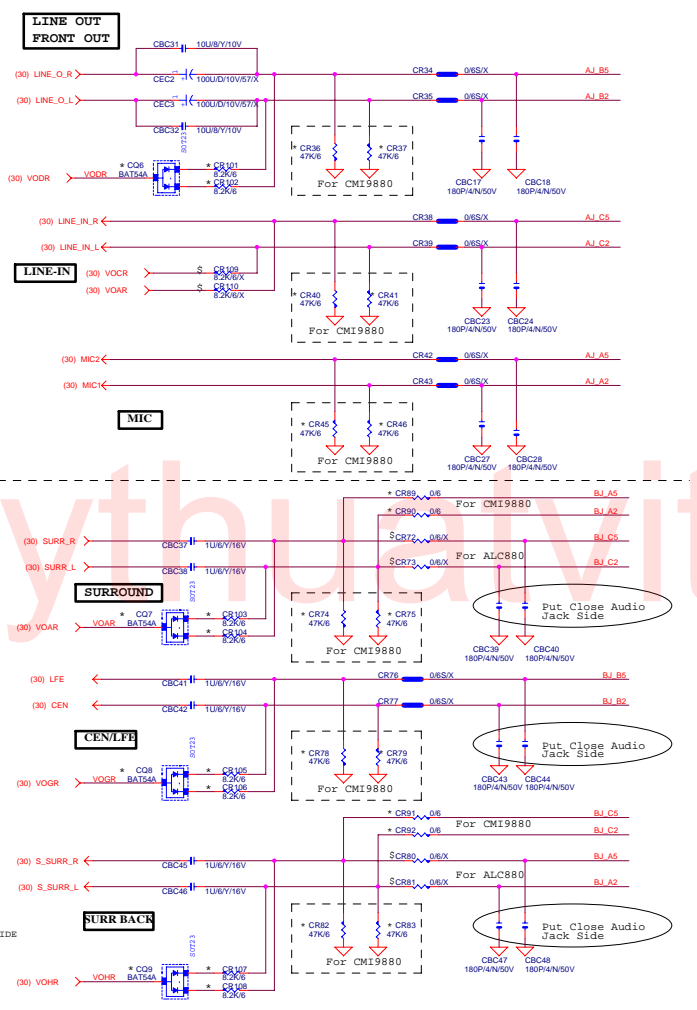
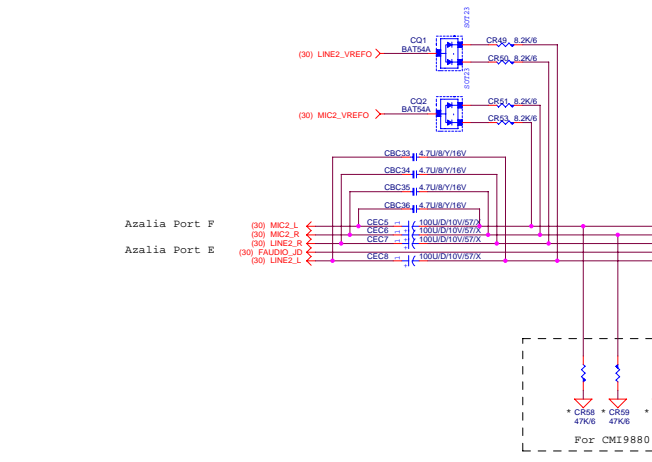
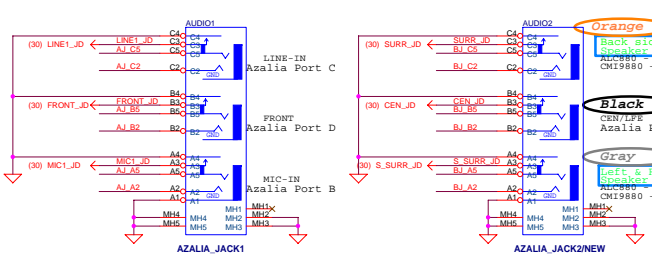
"\$" means for ALC880 only  
 "\*" means for CMI9880 only



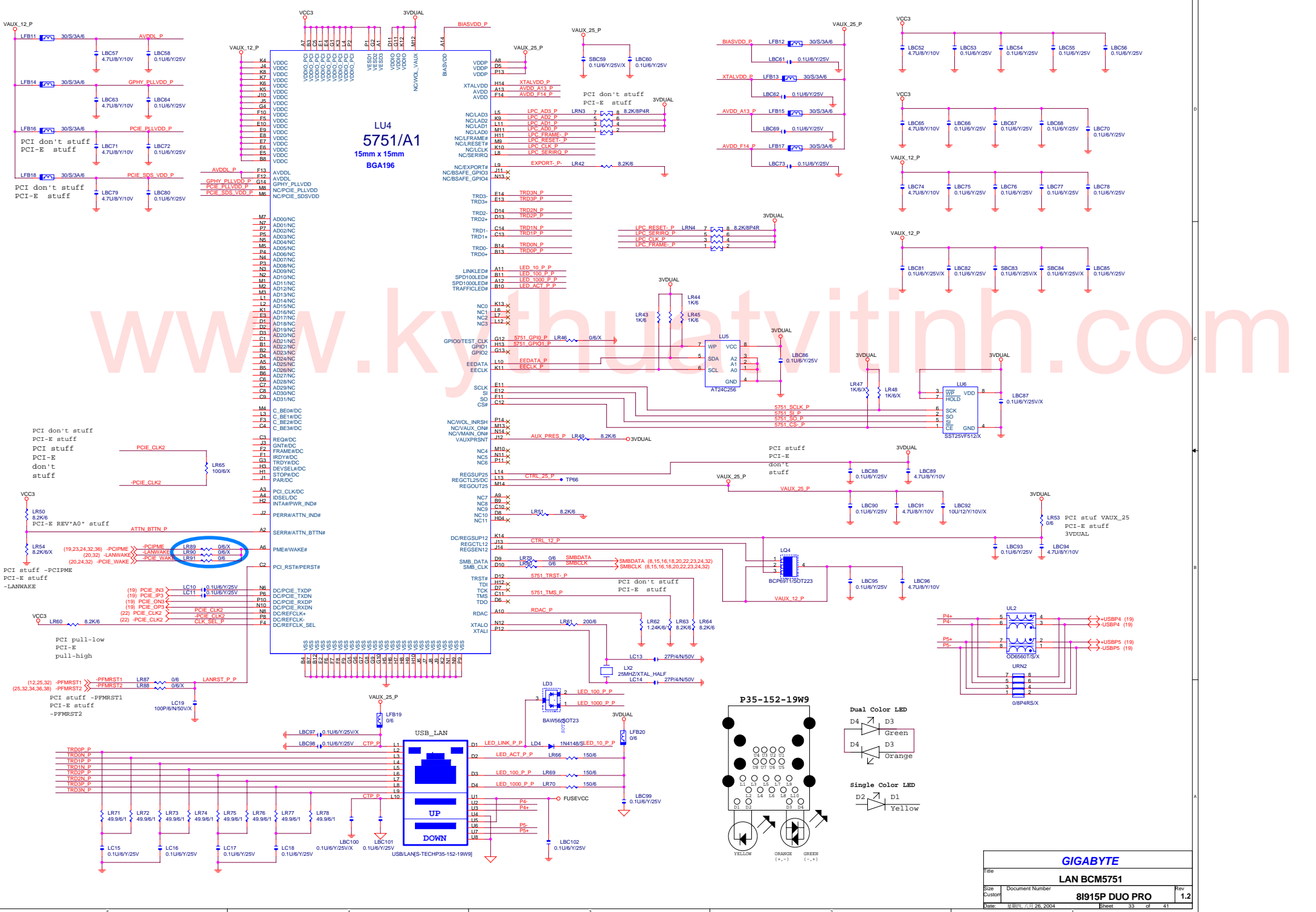
<b>GIGABYTE</b>			
Title <b>AC97 CMI9880</b>			
Size	Document Number	<b>81915P DUO PRO</b>	
Custom		Rev	<b>1.2</b>
Date:	星期四, 八月 26, 2004	Sheet	30 of 41



Azalia Jack  
Normal --> pin4/pin3 open  
Plug jack --> pin4/pin3 close



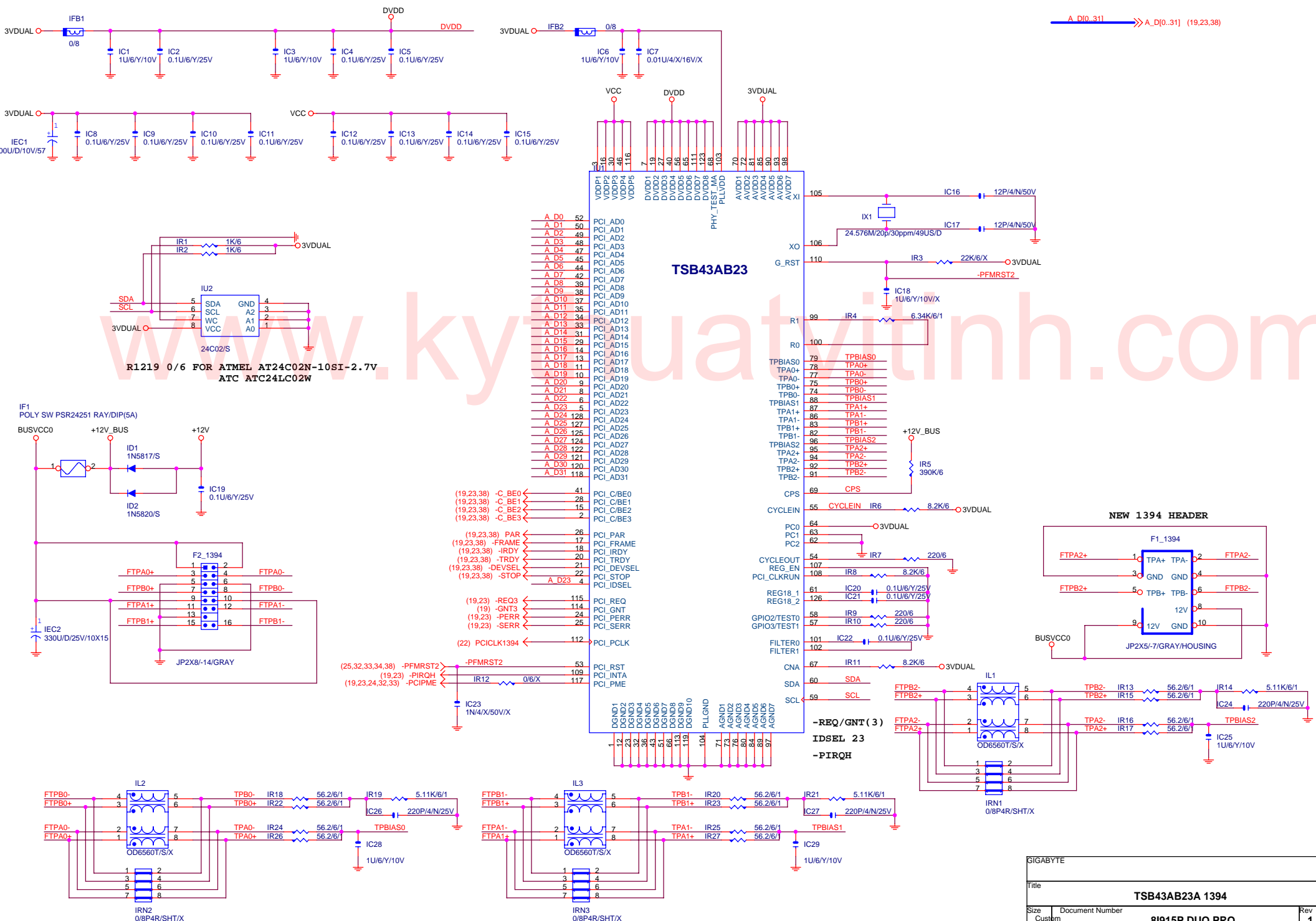




<b>GIGABYTE</b>		
LAN BCM5751		
File	Document Number	Rev
	<b>81915P DUO PRO</b>	<b>1.2</b>
Size		Date
Custom		8/28/11 26.2004
		Sheet 33 of 41



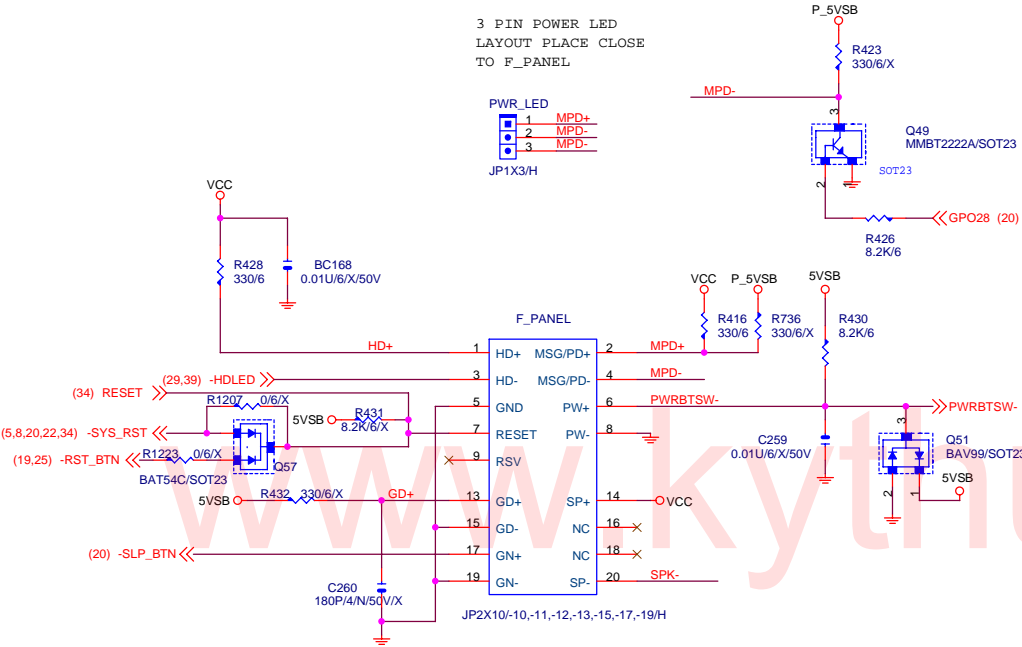
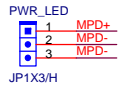




GIGABYTE		
Title		
TSB43AB23A 1394		
Size	Document Number	Rev
Custom	81915P DUO PRO	1.2
Date:	星期四, 六月 26, 2004	Sheet 36 of 41

# INTEL FRONT PANEL

3 PIN POWER LED  
LAYOUT PLACE CLOSE  
TO F\_PANEL

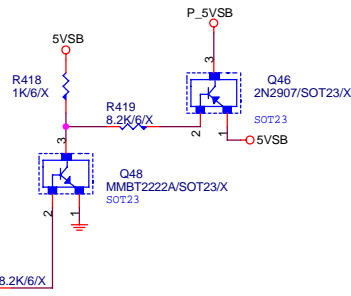
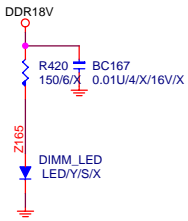
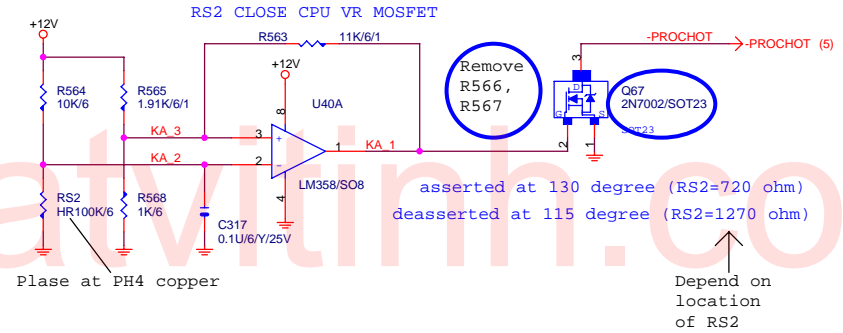


# PROCESSOR HOT

(N/A)

如果要用2N7002需注意OP output  
hi時的電壓是否遠大於2V。

KA393改為LM358，電源pin改接+12V，Prochot#溫度需重新調整之。



States for green LED NO1 GPO22 only S1 PROGRAMMING LOW

LED States	ACPI States	GPO28
ON	S1,S3	0
OFF	S0,S5	1

(GPO22 DEFAULT HIGH, main power)

States for a single-color power LED

LED States	ACPI States	GPO25	GPO27	GPO24
OFF	S1,S3,S5	1	1	NO1
Steady Green	S0	1	1	1
Blinking Green	S0(message waiting)	1	B	1
Steady Yellow	S1,S3	1	0	NO1
Blinking Yellow	S1,S3(message waiting)	1	B	NO1

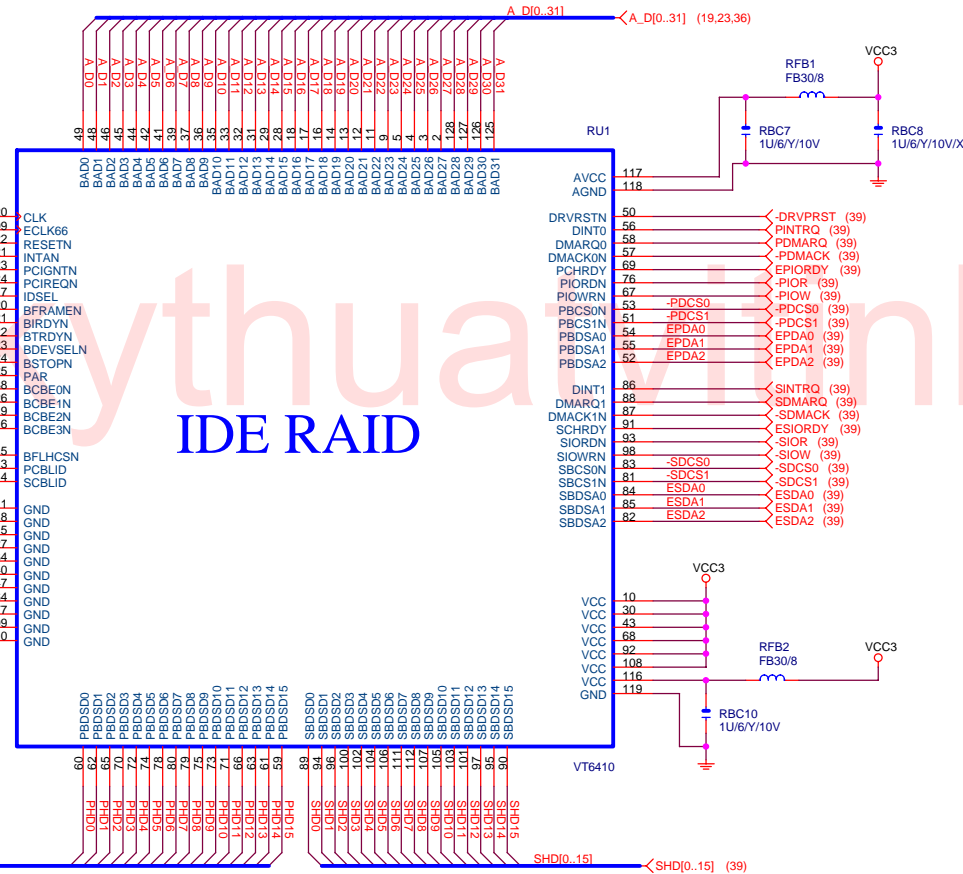
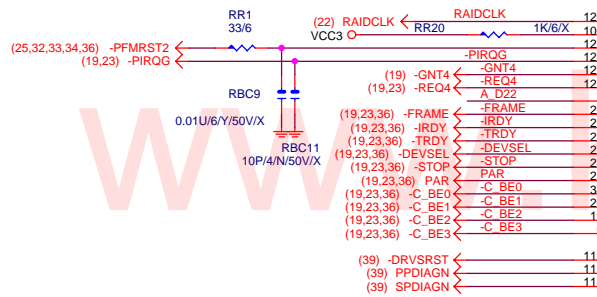
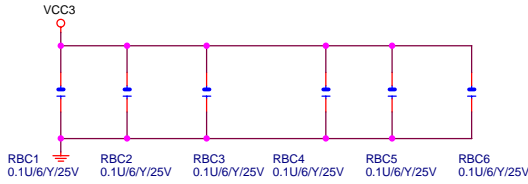
LED States	ACPI States	GPO25	GPO27	GPO22
OFF	S5	1	1	X
Steady Green	S0	1	1	1
Blinking Green	S0(message waiting)	1	B	1
Steady Yellow	S1,S3	1	0	NO1
Blinking Yellow	S1,S3(message waiting)	1	B	NO1

**GIGABYTE**

Title			
<b>FRONT PANEL</b>			
Size		Document Number	Rev
		<b>8I915P DUO PRO</b>	<b>1.2</b>
Date:	星期四, 八月 26, 2004	Sheet	37 of 41

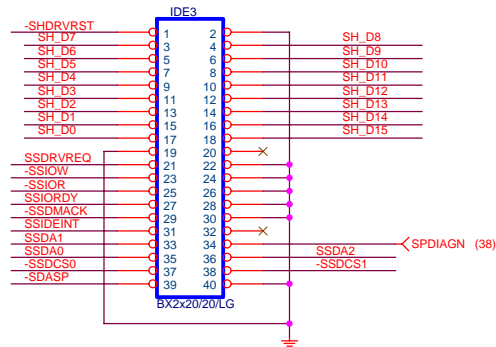
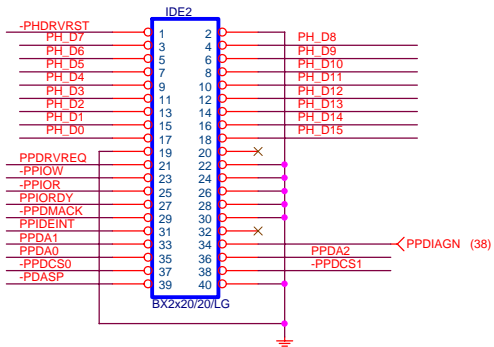
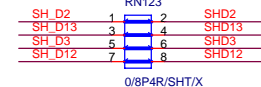
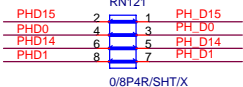
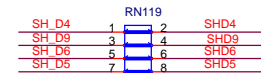
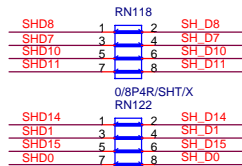
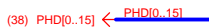
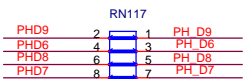
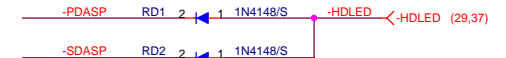
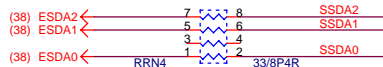
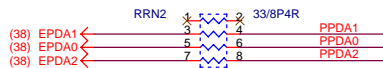
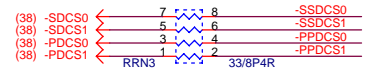
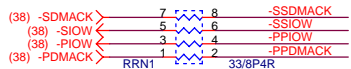
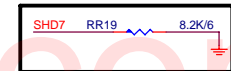
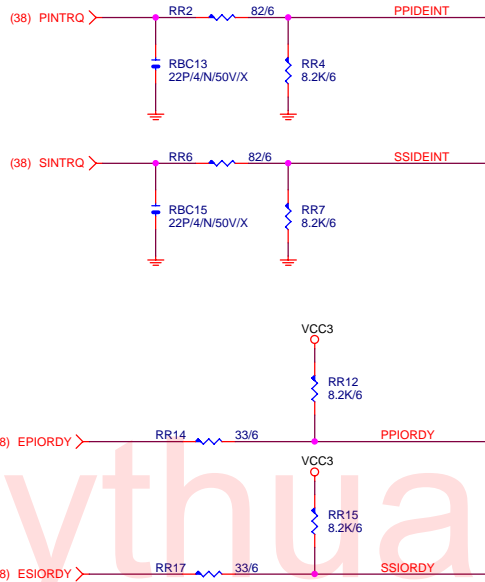
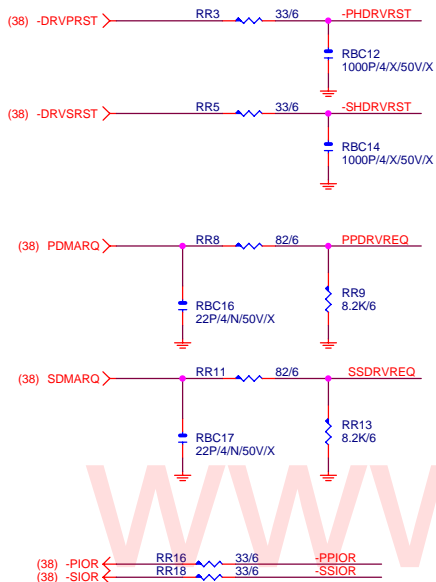


ALL INPUT PIN MUST HAVE 0.1 CAPACITOR



IDE RAID

<b>GIGABYTE</b>		
Title <b>ATA100/133 &amp; IDE RAID</b>		
Size	Document Number <b>81915P DUO PRO</b>	Rev <b>1.2</b>
Date:	星期二, 六月 26, 2004	Sheet 38 of 41





ICH6 GPIO Table:

NAME	PWR LANE	USAGE	NAME	PWR LANE	USAGE
GPI0	V5REF	M/B ID (-REQ6)	GPI41	VCC3	M/B ID
GPI1	V5REF	-REQ5	GPO48	VCC3	-GNT4
GPI2	V5REF	-PIRQE	GPO49	V-CPUIO	CPUPWOK
GPI3	V5REF	-PIRQF			
GPI4	V5REF	-PIRQG			
GPI5	V5REF	-PIRQH			
GPI6	VCC3	-SLP_BTN			
GPI7	VCC3	DUAL BIOS			
GPI8	3VDAUL	-LANWAKE			
GPI9	3VDAUL	-USBOC4			
GPI10	3VDAUL	-USBOC5			
GPI11	3VDAUL	-SMBALT			
GPI12	VCC3	ATX_DET			
GPI13	3VDAUL	-LPCPME			
GPI14	3VDAUL	-USBOC6			
GPI15	3VDAUL	-USBOC7			
GPO16	VCC3	CPU OV1 (-GNT6)			
GPO17	VCC3	-GNT5			
GPO18	VCC3	CPU OV2			
GPO19	VCC3	DUAL BIOS			
GPO20	VCC3	BIOS T-BLOCK			
GPO21	VCC3	DUAL BIOS			
GPO23	VCC3	DDR OV0			
GPI024	3VDAUL	GREEN_LED			
GPI025	3VDAUL	DDR OV1			
GPI26	VCC3	SATA_GP0			
GPI027	3VDAUL	+PWRLED			
GPI028	3VDAUL	-PWRLED			
GPI29	VCC3	SATA_GP1			
GPI30	VCC3	SATA_GP2			
GPI31	VCC3	SATA_GP3			
GPI032	VCC3	BIOS_WP			
GPI033	VCC3	AZALIA_DET			
GPI034	VCC3	M/B ID			
GPI40	V5REF	-REQ4			

PWROK/RESET Table:

ITE8712BHX PIN	NET NAME	TARGET
PIN62/-PCIRST1	-PCIE_RST	1. PCI-E * 1 Slot1 2. PCI-E * 1 Slot2 3. PCI-E * 1 Slot3 4. PCI-E * 16 Slot
PIN64/-PCIRST2	-PFMRST2	1. Onboard PCI Lan 2. Onboard 1394 Chip 3. OnBoard FWH
PIN65/-PCIRST3	-PFMRST1	1. Onboard PCI-E Lan 2. Onboard SATA Chip 3. GMCH
PIN115/-PCIRST4	-PFMRST -IDERST	Reserved For IDE
PIN63/PWROK1	PWROK1	1. GMCH 2. ICH6 3. 5VDUAL SWITCH 4. DPS CONTROL
PIN109/PWROK2	-THERM	1. ICH6

**GIGABYTE THCNLOGIES , INC.**

Title			
<b>GPIO/RESET TABLE</b>			
Size	Document Number	8I915P DUO PRO	Rev 1.2
Custom			
Date:	星期四, 八月 26, 2004	Sheet	41 of 41