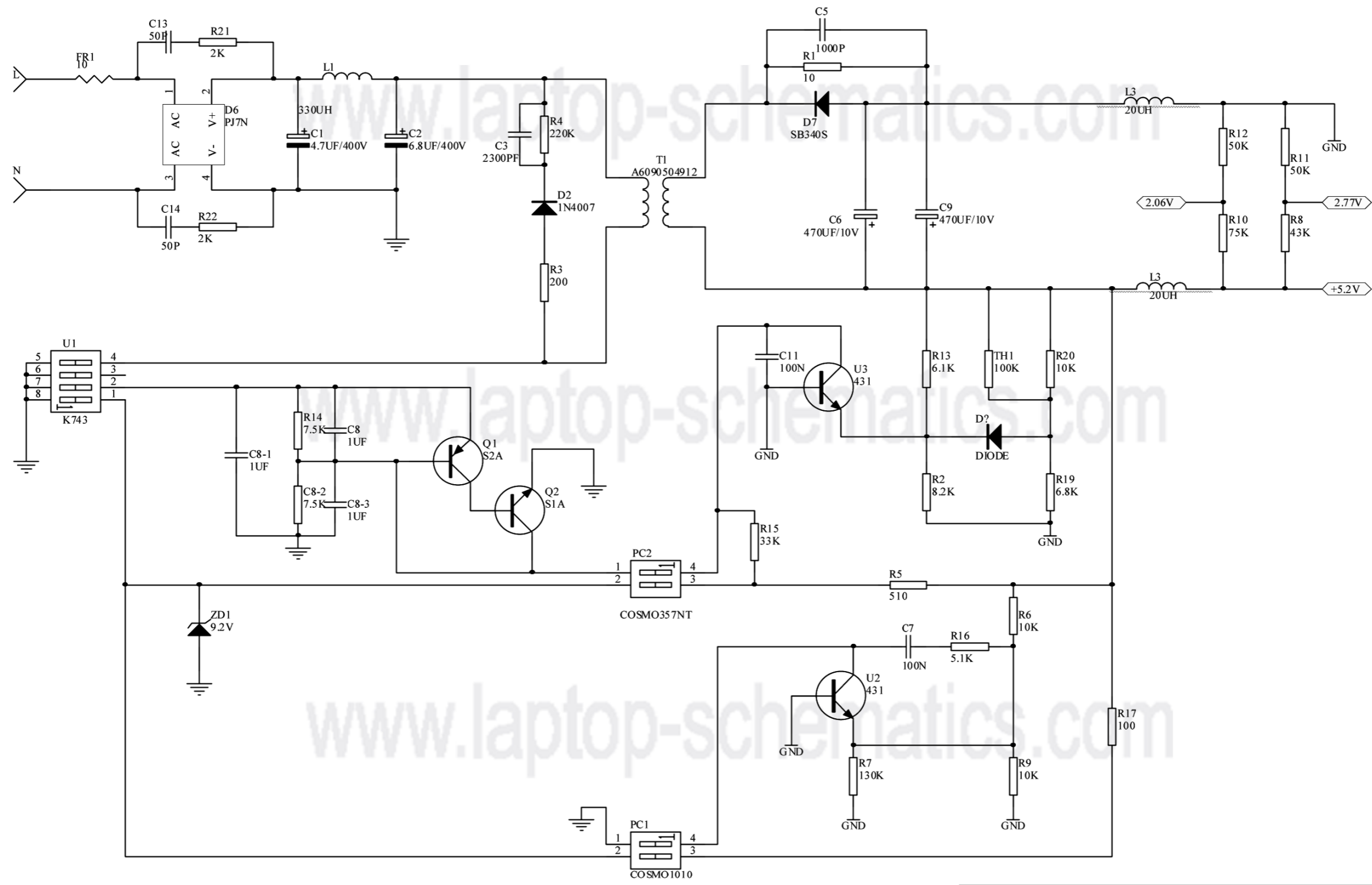


Circuit Diagram



**This document is not official!
It may contain errors or inaccuracies in the scheme.**

PART#	QTY	DESCRIPTION	REFERENCE DESIGNATOR(S)	CRITICAL	BOM OPTION
1	1	SCHEM	SCH		
1	1	PCBF	PCB		
1	1	PCBA	BOM		
1	1				

DIMENSIONS ARE IN MILLIMETERS		METRIC		APPLE INC.	
xx. =	_____	DRAPTR	DESIGN CK	NOTICE OF PROPRIETARY PROPERTY	
x.xx =	_____	ENG APPD	MFG APPD	THE INFORMATION CONTAINED HEREIN IS THE PROPRIETARY PROPERTY OF APPLE COMPUTER, INC. THE POSSESSOR AGREES TO THE FOLLOWING	
x.xxx =	_____	QA APPD	DESIGNER	I. TO MAINTAIN THE DOCUMENT IN CONFIDENCE	
ANGLES =	_____	RELEASE	SCALE	II. NOT TO REPRODUCE OR COPY IT	
DO NOT SCALE DRAWING		NONE		III. NOT TO REVEAL OR PUBLISH IN WHOLE OR PART	
 THIRD ANGLE PROJECTION		MATERIAL/FINISH NOTED AS APPLICABLE		TITLE	
				iPhone Charger	
				DRAWING NUMBER	
				REV.	
				SHT 1 OF 1	