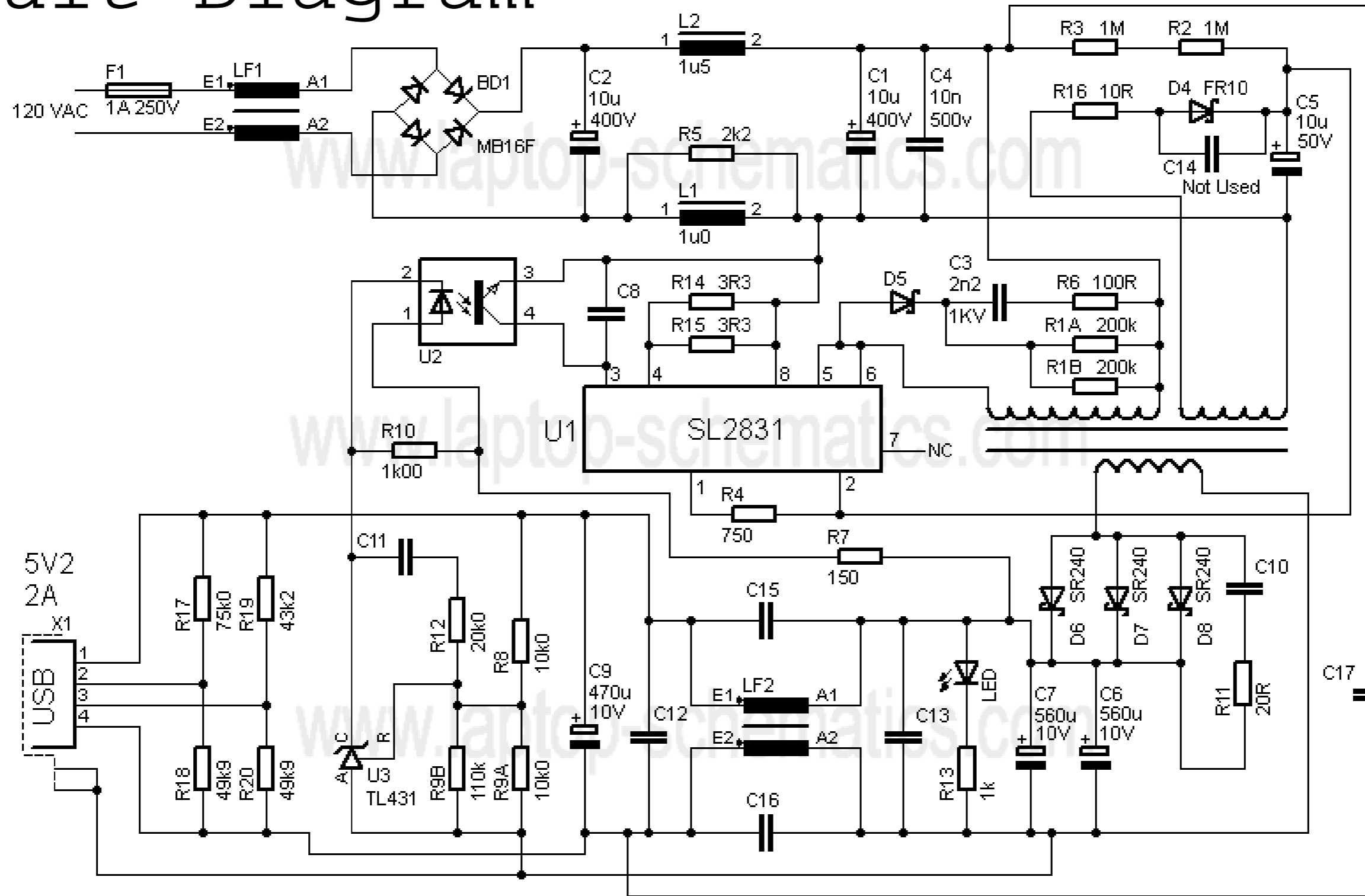


# Circuit Diagram



**This document is not official!**  
**It may contain errors or inaccuracies in the scheme.**

PART#	QTY	DESCRIPTION	REFERENCE DESIGNATOR(S)	CRITICAL	BOM OPTION
1	1	SCHM	SCH		
1	1	PCBF	PCB		
1	1	PCBA	BOM		
1	1				

DIMENSIONS ARE IN MILLIMETERS		METRIC		APPLE INC.	
xx :	_____	DRAPTR	DESIGN CK	NOTICE OF PROPRIETARY PROPERTY THE INFORMATION CONTAINED HEREIN IS THE PROPRIETARY PROPERTY OF APPLE COMPUTER, INC. THE POSSESSOR AGREES TO THE FOLLOWING: I. TO MAINTAIN THE DOCUMENT IN CONFIDENCE II. NOT TO REPRODUCE OR COPY IT III. NOT TO REVEAL OR PUBLISH IN WHOLE OR PART	
x.xx :	_____	ENG APPD	MFG APPD		
x.xxx :	_____	QA APPD	DESIGNER		
ANGLES :	_____	RELEASE	SCALE		
DO NOT SCALE DRAWING		MATERIAL/FINISH NOTED AS APPLICABLE		TITLE	
THIRD ANGLE PROJECTION				iPad Charger	
				DRAWING NUMBER	REV.
				SHT 1 OF 1	